

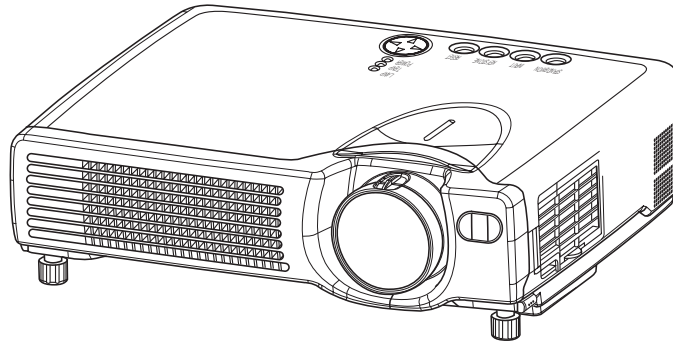
HITACHI

SERVICE MANUAL

YK

No.0527E

ED-S3170(C3S3)
ED-X3270(C3XM3)



Caution

Be sure to read this manual before servicing. To assure safety from fire, electric shock, injury, harmful radiation and materials, various measures are provided in this Hitachi Multimedia LCD Projector. Be sure to read cautionary items described in the manual to maintain safety before servicing.

Service Warning

1. When replace the lamp, to avoid burns to your fingers. The lamp becomes too hot.
2. Never touch the lamp bulb with a finger or anything else. Never drop it or give it a shock. They may cause bursting of the bulb.
3. This projector is provided with a high voltage circuit for the lamp. Do not touch the electric parts of power unit (main), when turn on the projector.
4. Do not touch the exhaust fan, during operation.
5. The LCD module assembly is likely to be damaged. If replacing to the LCD module assembly, do not hold the FPC of the LCD module assembly.
6. Use the cables which are included with the projector or specified.

Contents

1. Features -----	2	8. Connector connection diagram -----	31
2. Specifications -----	2	9. Wiring diagram -----	32
3. Names of each part -----	3	10. Basic circuit diagram -----	38
4. Adjustment -----	5	11. Disassembly diagram -----	71
5. Troubleshooting -----	12	12. Replacement parts list -----	73
6. Service points -----	17	13. RS-232C communication -----	74
7. Block diagram -----	30		

SPECIFICATIONS AND PARTS ARE SUBJECT TO CHANGE FOR IMPROVEMENT.

Multimedia LCD Projector

October 2002 Digital Media Division

1. Features

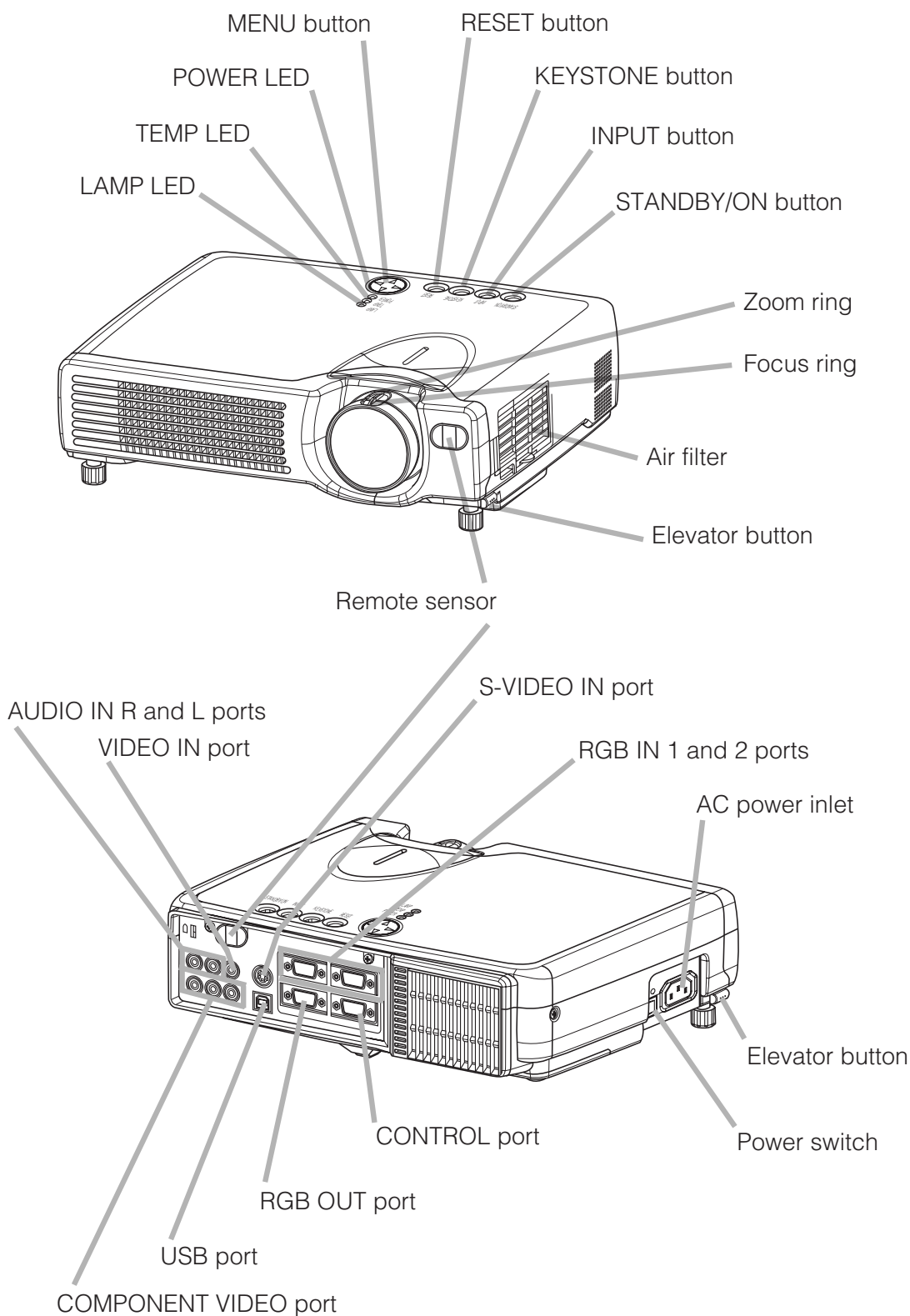
- ▶ 1,500 ANSI lumens, 2.7kg(6lbs)
- ▶ Full connectivity
- ▶ Easy and flexible keystone adjustment
- ▶ My screen
- ▶ Wide angle lens
- ▶ Low noise

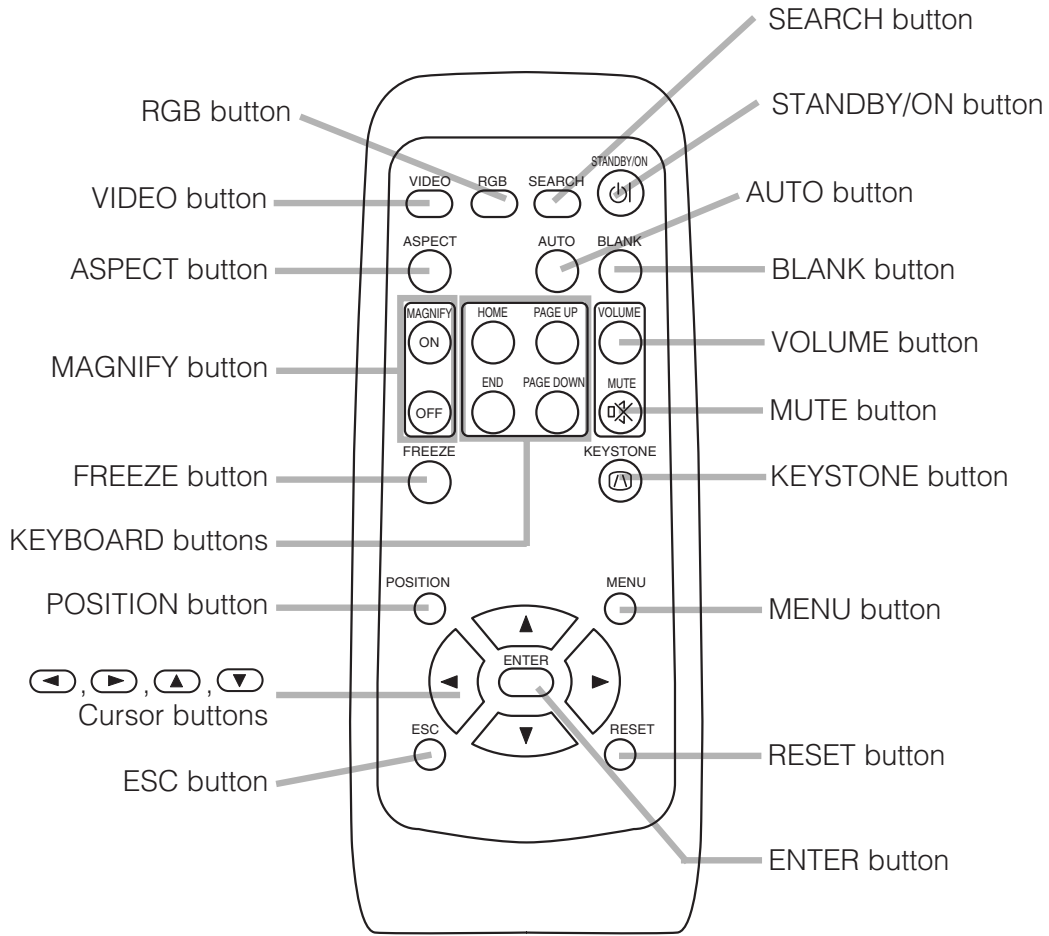
2. Specifications

		ED-S3170	ED-X3270
Liquid crystal panel	Drive system	TFT active matrix	
	Panel size	0.7 inches	
	Number of pixels	800 (H) × 600 (V)	1024 (H) × 768 (V)
Lamp		150W UHB	
Video input	System	NTSC, PAL(BGDHI), SECAM, PAL-M, PAL-N, NTSC4.43, PAL60	
	Level	Composite	1.0±0.1Vp-p (75Ω termination)
		S-video	Y : 1.0±0.1Vp-p (75Ω termination) C : 0.286±0.1Vp-p (NTSC burst signal, 75Ω termination) 0.3±0.1Vp-p (PAL/SECAM burst signal, 75Ω termination)
		Component	Y : 1.0±0.1Vp-p (75Ω termination) Cb/Cr : 0.7±0.1Vp-p (75Ω termination) Pb/Pr : 0.7±0.1Vp-p (75Ω termination)
RGB input / output	Analog RGB	0.7Vp-p (75Ω termination)	
	Sync.	TTL level	
Audio	Input	200mVrms, 47kΩ	
	Output	200mVrms, output impedance 1kΩ	
Speaker output		1.0W (mono)	
Power supply		AC100~120V/2.7A, AC220~240V/1.3A	
Power consumption		240W	
Dimensions		295 (W) × 87.5 (H) × 231 (D) mm	
Weight		2.74kg (6.04lbs)	
Temperature range		Operation : 0~35°C Storage : -20~60°C	
Accessories		Remote control transmitter × 1 RGB cable × 1 Video/Audio cable × 1 USB cable × 1	POWER cord × 1 Battery × 2 User's manual (with Safety Instructions) × 1

3. Names of each part

● Parts names





Remote control transmitter

4. Adjustment

4-1 Before adjusting

4-1-1 Selection of adjustment

When any parts in the table 4-1 are changed, choose the proffer adjusting items with the chart.

Table 4-1: Relation between the replaced part and adjustment

Replaced part	Adjustment				
	Ghost (Chap.4-2)	Flicker (Chap.4-3)	PSIG/NRSH (Chap.4-4)	White balance (Chap.4-5)	Color uniformity (Chap.4-6)
Dichroic optics unit	○	○	×	△	△
LCD/LENS prism assembly	○	○	○	○	○
PWB assembly drive	○	○	○	○	○
Lamp unit assembly	△	△	×	△	△

○: means need for adjustment. ×: means not need for adjustment.
△: means recommended.

4-1-2 Setting of condition before adjustment

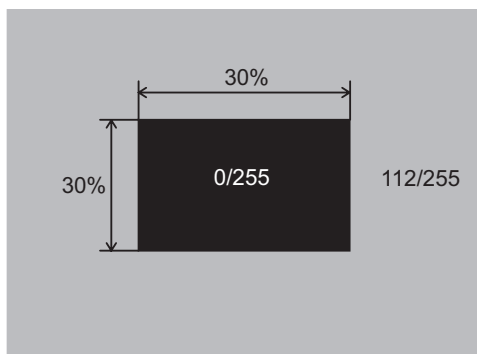
1. Before starting adjustment, warm up the projector for about 10 minutes.(Blank white)
2. Set Zoom Wide to Max. And project an image with more than 40 inches in diagonal size.
3. Normalizing the video adjustment.
(Press the [MENU] button of the Remote control transmitter to display the MAIN menu, and then press the [RESET] button. And select the [DEFAULT]. Next, open MAIN menu and press the [▼] key to display the PICTURE1 menu, then press the [RESET] key to set to [DEFAULT].)

*note :The MAIN and PICTURE1 menu is not reset with no signal.

4. Set the normal at OPT-WHISPER in the menu.
5. Reset KEYSTONE correction.
6. Perform all adjustments from the Adjustment menu.
Perform the following operations to display the Adjustment menu.
 - a. Press the [MENU] button of the Remote control transmitter (the Setup menu will appear).
 - b. Next, press the [RESET] button one time. And press the [RESET] button again for 5 seconds or more (the Adjustment menu will appear).

4-2 Ghost adjustment

Signals for internal adjustment

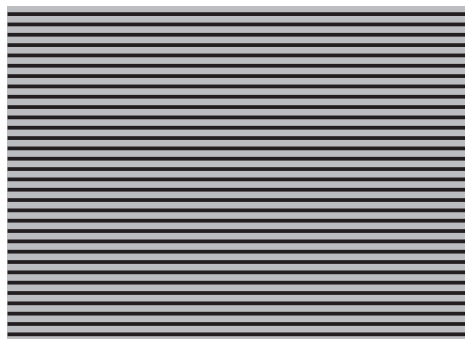


Adjustment procedure

1. Use DAC-P - GHOST - R: in the Adjustment menu to adjust so that R color ghost is at a minimum.
(Set the adjustment value to default, and then raise the value. When a ghost appears to the left of a vertical line, reduce the value by 2 steps.)
2. In the same way, use DAC-P - GHOST-G: in the Adjustment menu to adjust so that G color ghost is at a minimum.
3. In the same way, use DAC-P - GHOST-B: in the Adjustment menu to adjust so that B color ghost is at a minimum.

4-3 Flicker adjustment (V.COM adjustment)

Signals for internal adjustment



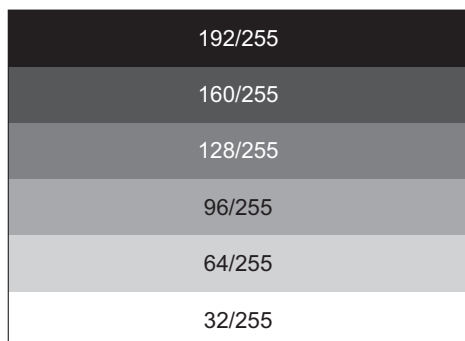
Adjustment procedure

1. Make this adjustment after completing the adjustment in 4-2 Ghost adjustment.
2. Use DAC-P - V.COM - R: in the Adjustment menu to adjust so that the flicker at the center of the screen is less than the flicker at the periphery. (When the flicker is about the same across the whole screen, adjust so that the flicker at the center of the screen is somewhat less than elsewhere.)
3. In the same way, use DAC-P - V.COM-G: in the Adjustment menu to adjust the G color flicker.
4. In the same way, use DAC-P - V.COM-B: in the Adjustment menu to adjust the B color flicker.

ED-S3170 ONLY

4-4 PSIG-G adjustment (vertical stripe adjustment)

Signals for internal adjustment

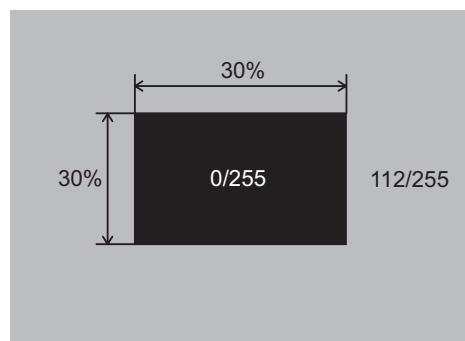


Adjustment procedure

1. Make this adjustment after completing the adjustment in 4-3 Flicker adjustment.
2. Use DAC-P - PSIG - G: in the Adjustment menu to adjust so that the vertical lines spaced every 6 or 12 dots are as inconspicuous as possible.

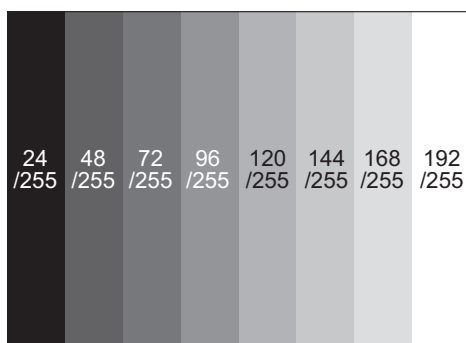
4-4-1 PSIG-B adjustment (vertical streaks adjustment)

Signals for internal adjustment



Adjustment procedure

1. Make this adjustment after completing the adjustment in 4-3 Flicker adjustment.
2. Use DAC-P - PSIG - B: in the Adjustment menu to adjust so that the vertical streaks on the upper of window pattern.

ED-X3270 ONLY**4-4 NRSH adjustment (vertical stripe adjustment)****Signals for internal adjustment****Adjustment procedure**

1. Make this adjustment after completing the adjustment in 4-3 Flicker adjustment.
2. Use DAC-P - NRSH - R: in the Adjustment menu to adjust so that the vertical lines spaced every 6 dots are as inconspicuous as possible.
(Reduce the adjustment value when black stripes appear in the 2nd or 3rd tone from the black side. Note that when the adjustment value is lowered, white stripes may appear in the 2nd or 3rd tone from the bright side. Should this happen, adjust so that the stripes are as inconspicuous as possible.)
3. In the same way, use DAC-P - NRSH - G: in the Adjustment menu to adjust vertical stripes of G color.
4. In the same way, use DAC-P - NRSH - B: in the Adjustment menu to adjust vertical stripes of B color.

4-5 White balance adjustment (visual inspection)**Preparations**

1. Perform these adjustments after the PSIG adjustment described in Section 4-4.

Adjustment procedure

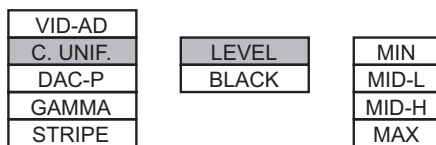
1. First, adjust the G color.
2. Select GAMMA, SUB-CONTRAST, and G: in the Adjust menu. If the background is white solid, press the [MENU SELECT] key on the Remote control transmitter to change to [G] monochrome in the 28-tone grayscale.
3. Adjust GAMMA, SUB-CONTRAST, and G: in the Adjust menu so that brightness of 28 steps is best.
4. Don't adjust GAMMA, SUB-BRIGHT, and G: in the Adjust menu. Because we want to keep the best contrast ratio.
5. Then adjust colors R and B.
6. Select GAMMA, SUB-CONTRAST, and G: in the Adjust menu. If the background is white solid, press the [MENU SELECT] key on the Remote control transmitter to change to [W] monochrome in the 28-tone grayscale.
7. Adjust GAMMA, SUB-BRIGHT, R: and B: in the Adjust menu so that low-brightness white balance is best.
8. Adjust GAMMA, SUB-CONTRAST, R: and B: in the Adjust menu so that middle-brightness white balance is best.
9. Repeat steps 7 to 8 above, and adjust so that brightness white balance of 28 steps is best.

4-6 Color uniformity adjustment

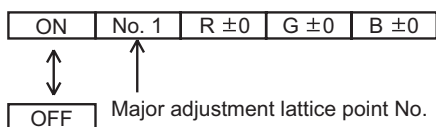
Preparations

1. Perform these adjustments after the white balance adjustment described in Section 4-5.
2. Make a color uniformity adjustment for the following four tones.
 - MIN tone (approx. 4% input signal)
 - MID-L tone (approx. 14% input signal)
 - MID-H tone (approx. 25% input signal)
 - MAX tone (approx. 57% input signal)
3. Place the cursor on the tone to be adjusted in the Adjust menu and press the [▼] key. This displays the Adjust Tone menu at the bottom of the screen. Select the major adjustment lattice point No. and color, and then adjust them.
4. The major adjustment lattice point numbers (a total of 17 points) corresponds to the major adjustment lattice point positions in the diagram on the right. The color uniformity of the entire screen can be adjusted by adjusting the white balance for each of the points starting in order from the low numbers.
5. Adjustment point No.1 should not be adjusted, because it controls the brightness of the entire screen.
6. To temporarily turn correction off, place the cursor on "ON" in the Adjust Tone menu and press the [▼] key. To turn it on again, place the cursor on OFF in the Adjust Tone menu and press the [▲] key.
7. Although this adjustment can also be made using internal signals, we will here use the [MENU SELECT] key on the Remote control transmitter to select the following two signals.
 - Solid monochrome adjustment color (use G color adjustment when a color differential meter is used).
 - Solid white (use for adjustment other than above).
8. Reset color-shading correction before adjustment.
 - When 4 tones and all colors are to be reset, place the cursor on [C.UNIF.] in the Adjustment menu, press the [RESET] key and select [DEFAULT].
 - When only 1 tone is to be reset, place the cursor on the tone to be reset, press the [RESET] key and select [DEFAULT].
 - Single tone and monochrome resets cannot be performed.

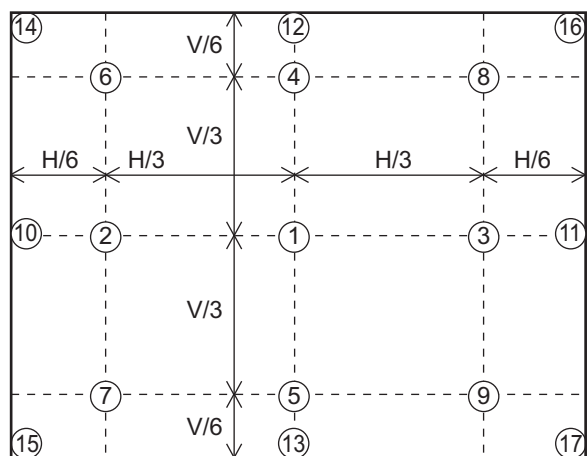
Adjust menu



Adjust Tone menu



Major adjustment lattice point position



Adjustment procedure 1**(when a color differential meter is used)**

1. First adjust [MID-L] tone [G:].
2. Select adjustment point [No.2][G:].
When the background is not [G] monochrome, press the [MENU SELECT] key on the Remote control transmitter to change to solid [G] monochrome.

3. Measure the illumination at adjustment points No. 2, No.3, No.10 and No.11.

The values should be:

$$\text{No.2} = Y2 \text{ [lx]} \quad \text{No.10} = Y10 \text{ [lx]}$$

$$\text{No.3} = Y3 \text{ [lx]} \quad \text{No.11} = Y11 \text{ [lx]}$$

4. No.2 and No.3 adjustment point have the average of Y2 and Y3.

$$Y2 = (Y2 + Y3) / 2 \pm 2 \text{ [%]}$$

$$Y3 = (Y2 + Y3) / 2 \pm 2 \text{ [%]}$$

5. No.10 and No.11 adjustment point have the average of Y10 and Y11.

$$Y10 = (Y10 + Y11) / 2 \pm 2 \text{ [%]}$$

$$Y11 = (Y10 + Y11) / 2 \pm 2 \text{ [%]}$$

6. Then adjust [MID-L] tone [R] and [B].

When the background is [G] monochrome, press the [MENU SELECT] key on the Remote control transmitter to change to solid white.

7. Measure the color coordinates of adjustment point [No.1] and make a note of them.

Assume that they are $x = x1$, $y = y1$.

Note: When the CL-100 color and color difference meter is used, the [Δ](delta) mode is convenient. When adjustment point [No.1] color coordinate has been selected, set the slide switch on the side to [Δ](delta) while holding down the [F] button on the front panel. The measurement shown after this displays the deviation from measurement point 1.

8. Measure the color coordinates of measurement point [No.2] and adjust [No.2][R:] and [B:] so that the coordinates are as follows.

$$x = x1 \pm 0.005, y = y1 \pm 0.010$$

9. Similarly, measure adjustment points [No.3] to [No.17] and adjust their color coordinates starting in order from the small number points.

This completes adjustments required for [MIN].

Note: Since excessive correction may lead to a correction data overview during internal calculations, use the following values for reference.

$$[\text{No.2}] \text{ to } [\text{No.5}] \pm 40 \text{ or less}$$

$$[\text{No.6}] \text{ to } [\text{No.9}] \pm 50 \text{ or less}$$

$$[\text{No.10}] \text{ to } [\text{No.13}] \pm 70 \text{ or less}$$

$$[\text{No.14}] \text{ to } [\text{No.17}] \pm 120 \text{ or less}$$

10. Then adjust [MIN] tone [G] so that the adjustment data set two times as much as [MID-L] tone [G].

This completes [G] color adjustments.

11. Then adjust [MIN] tone [R] and [B].

Select [No.2] [B:] and press the [MENU SELECT] key on the Remote control transmitter to change to solid white.

12. Measure the color coordinates of adjustment point [No.1] and make a note of them.

Assume that they are $x = x1$, $y = y1$.

13. Now measure the color coordinates of measurement point [No.2] and adjust [No.2][R:] and [B:] so that the coordinates are as follows.

$$x = x1 \pm 0.005, y = y1 \pm 0.010 \text{ (Target)}$$

$$x = x1 \pm 0.020, y = y1 \pm 0.040$$

14. Similarly, measure adjustment points [No.3] to [No.17] and adjust their color coordinates starting in order from the small number points.

This completes [MIN] tone adjustments.

15. Now make similar adjustments for [MID-H] tone.

(Adjust [MID-H] tone [G] so that the adjustment data set half as many as [MID-L] tone [G].)

16. Now make similar adjustments for [MAX] tone.

(Adjust [MAX] tone [G] so that the adjustment data set half as many as [MID-L] tone [G].)

Adjustment procedure 2

(visual inspection)

1. First adjust [MIN] tone [G:].
2. Select [No.2] [G:].
If the background is [G] monochrome, press the [MENU SELECT] key on the Remote control transmitter to change to solid white.
3. View measurement point [No.2] and [No.3].
Lower the [G] color intensity only of the color point whose [G] color is more intense than measurement point [No.1].
4. View measurement point [No.10] and [No.11].
Lower the [G] color intensity only of the color point whose [G] color is more intense than measurement point [No.1], and raise the intensity of the point whose color intensity is lower than measurement point [No.1].
5. Now adjust the [MIN] tone for colors [R] and [B].

6. View measurement points [No.2], [No.3], [No.10] and [No.11]. Adjust the [R] and [B] of each measurement point so that they have the same color as measurement point [No.1].

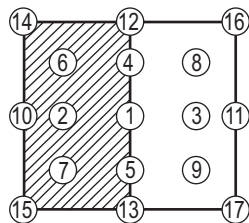
Adjustment technique:

First, adjust [B:] of the point whose color is to be adjusted so that it approximates that of [No.1]. If [R:] is low at this time, the image will have cyan cast, in which case [R:] is increased. On the other hand, if [R:] is excessive, the image will have a magenta cast, in which case [R:] is decreased.

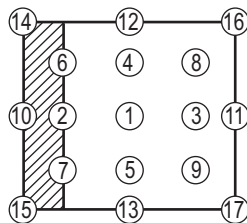
Overall, a cyan cast makes it easy to see color shading.

7. Next, view measurement points [No.4], [No.5], [No.12], [No.13] and make similar adjustments.
8. Then adjust measurement points [No.6], [No.7], [No.8], [No.9], [No.14], [No.15], [No.16] and [No.17].
This completes the [MIN] tone adjustments.
9. Make similar another three tones as described in steps 1 to 8 above.

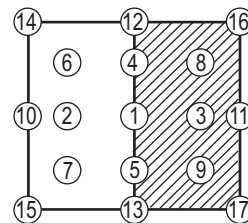
No. 2 deviation range



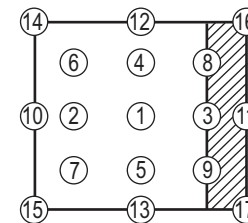
No. 10 deviation range



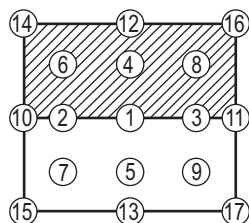
No. 3 deviation range



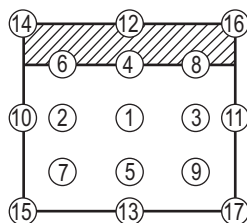
No. 11 deviation range



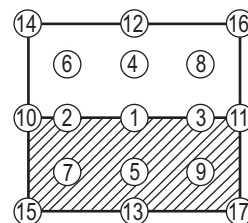
No. 4 deviation range



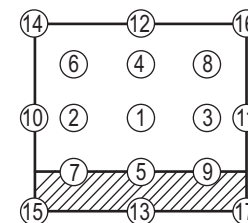
No. 12 deviation range



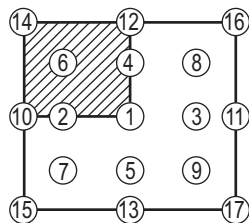
No. 5 deviation range



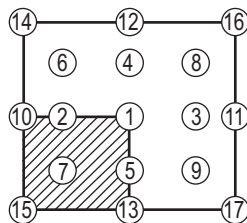
No. 13 deviation range



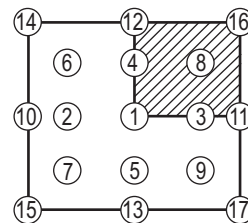
No. 6 deviation range



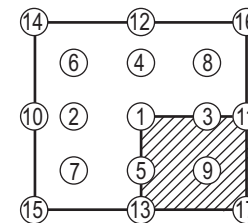
No. 7 deviation range



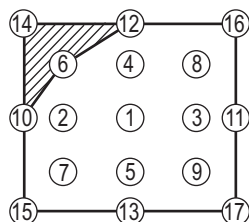
No. 8 deviation range



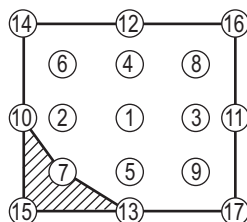
No. 9 deviation range



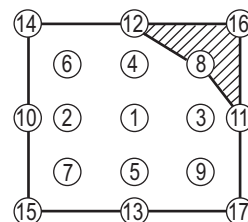
No. 14 deviation range



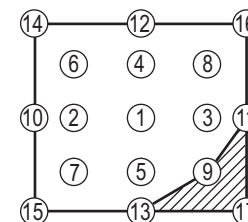
No. 15 deviation range



No. 16 deviation range

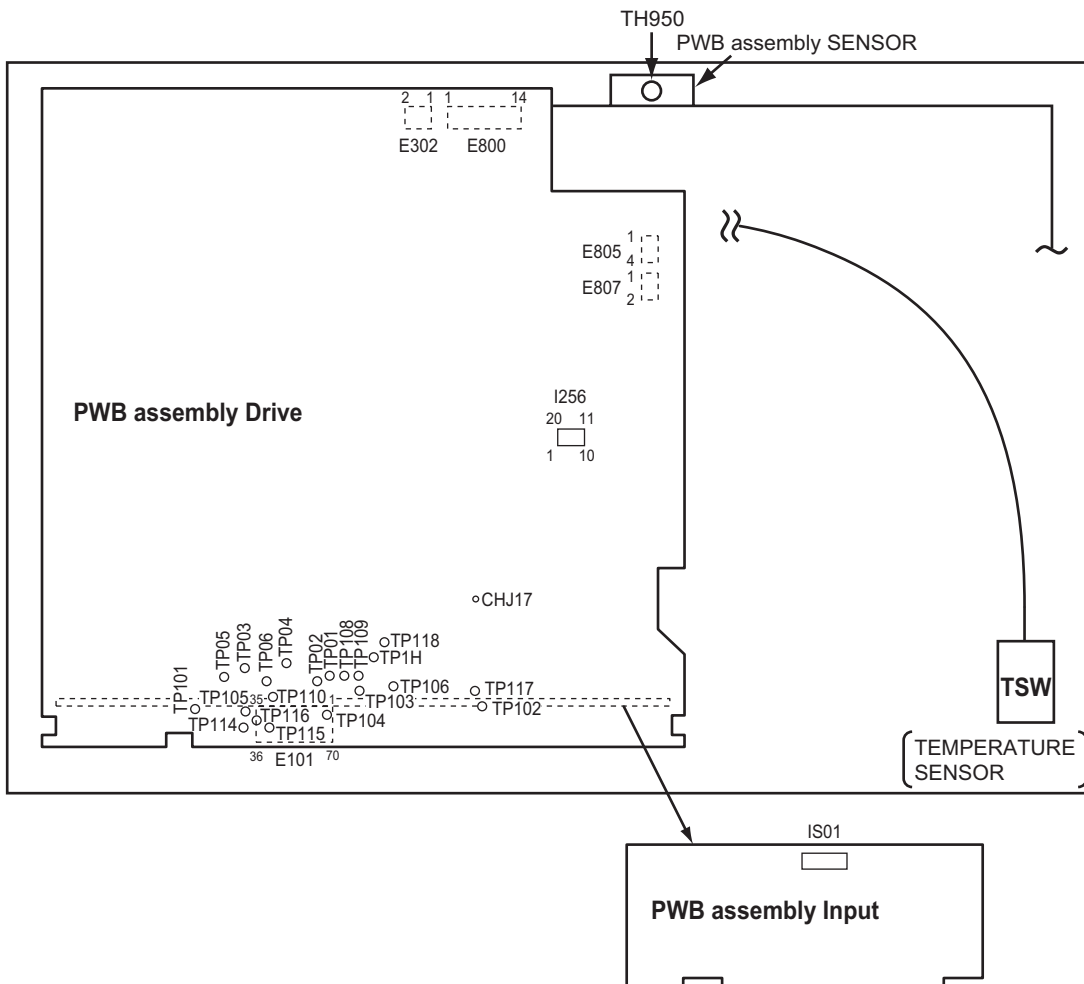


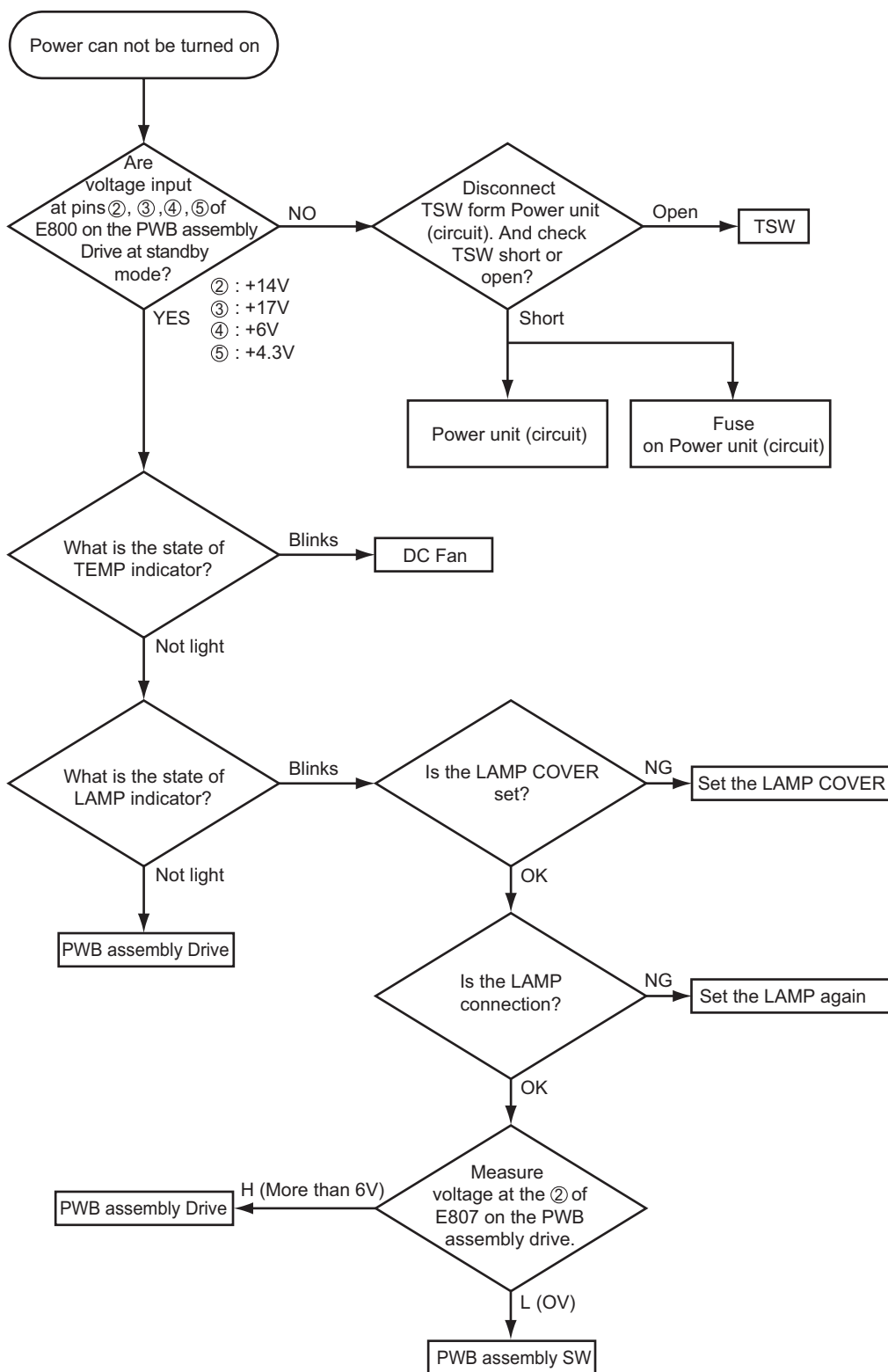
No. 17 deviation range

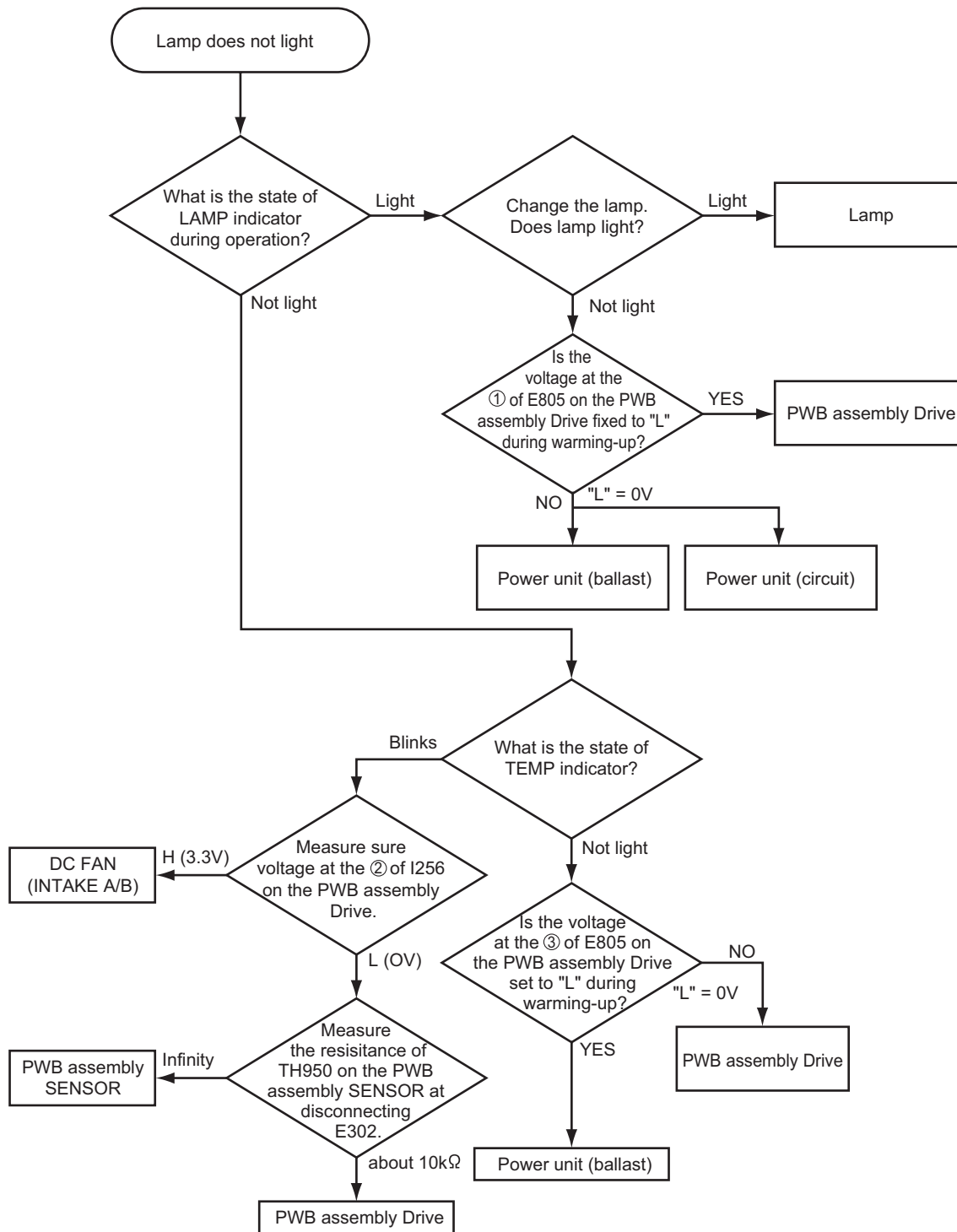


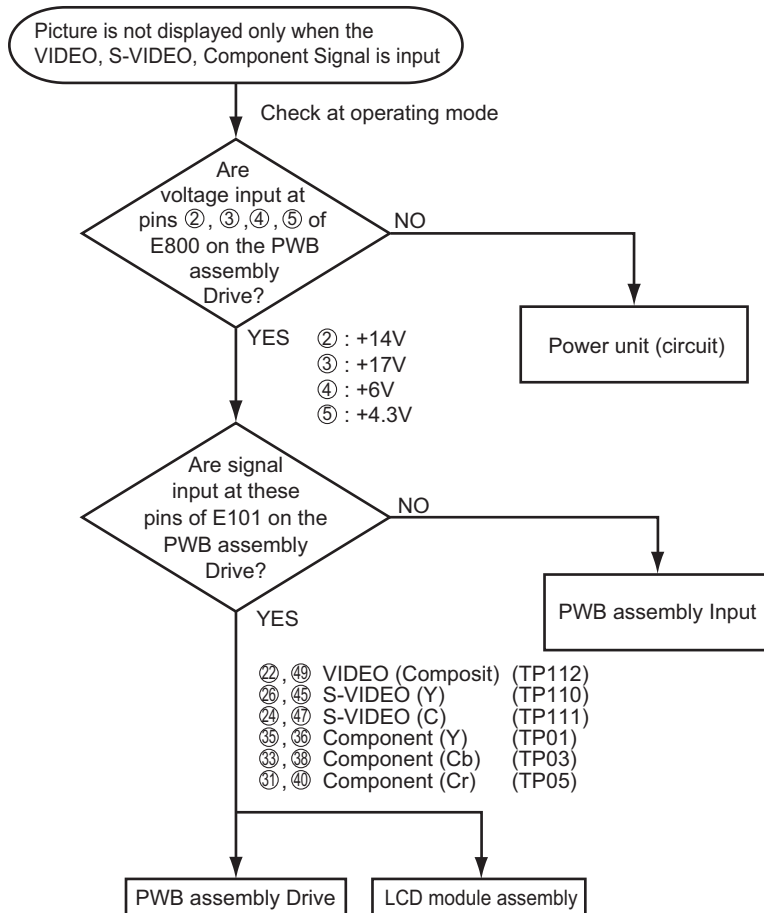
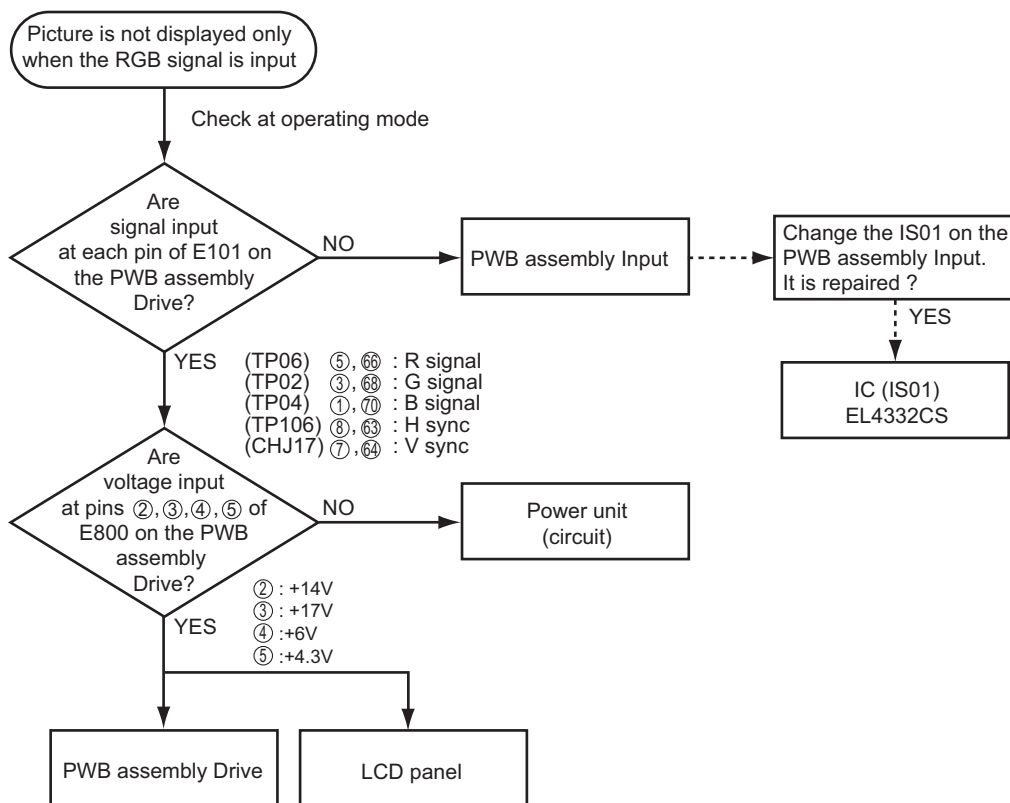
5. Troubleshooting

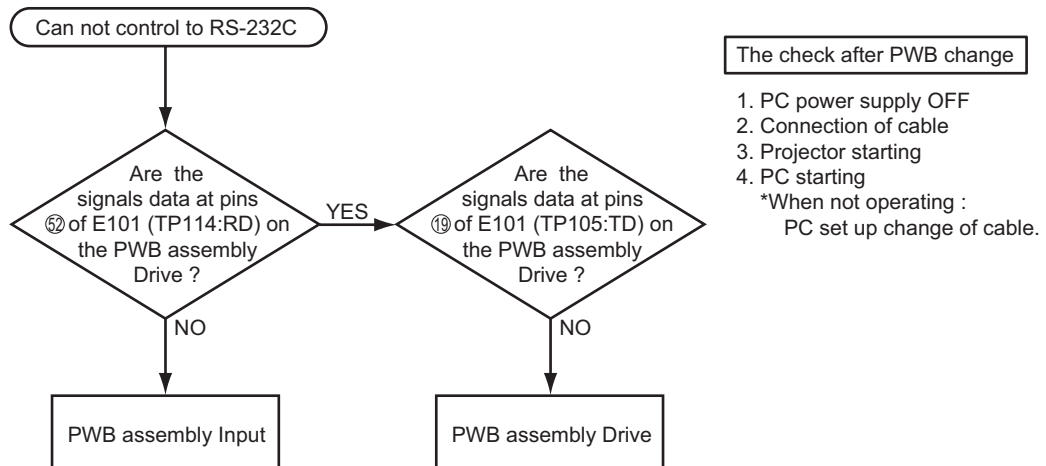
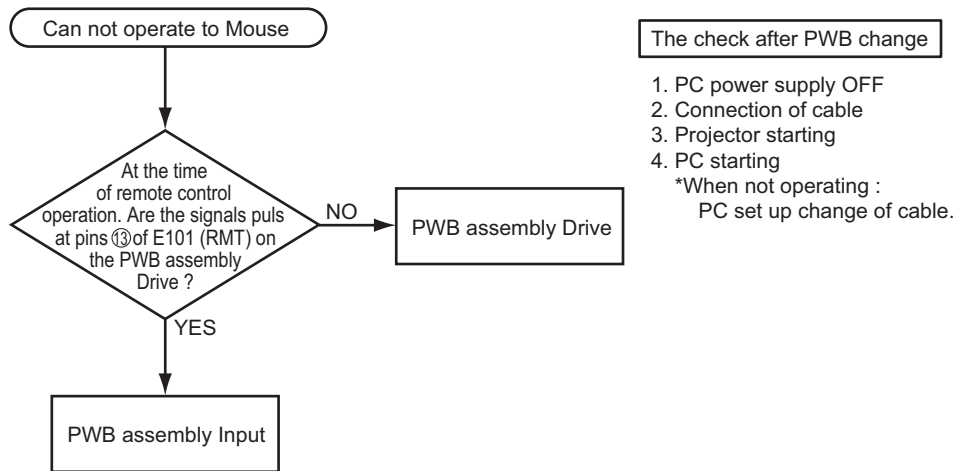
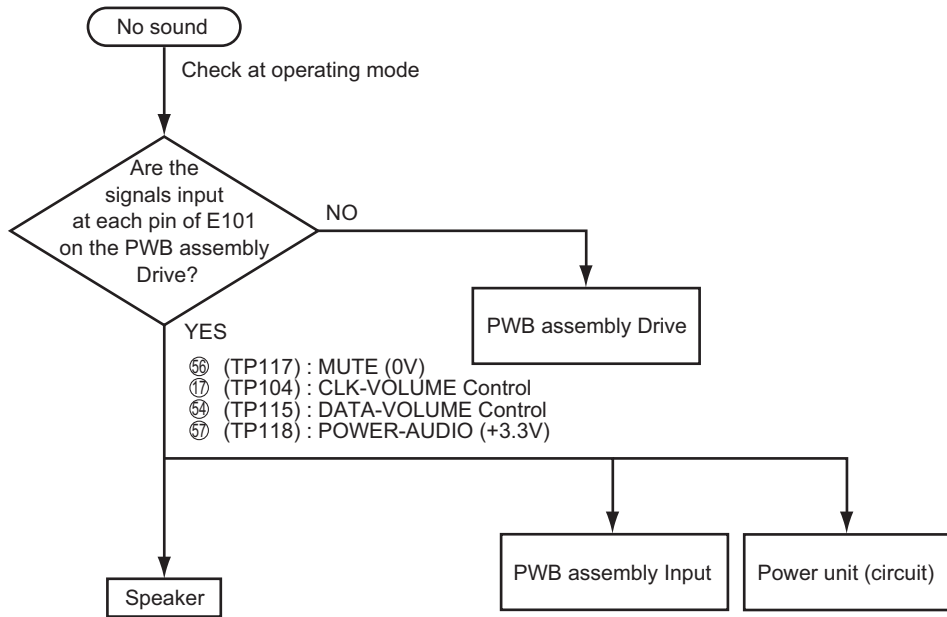
Check points at trouble shooting









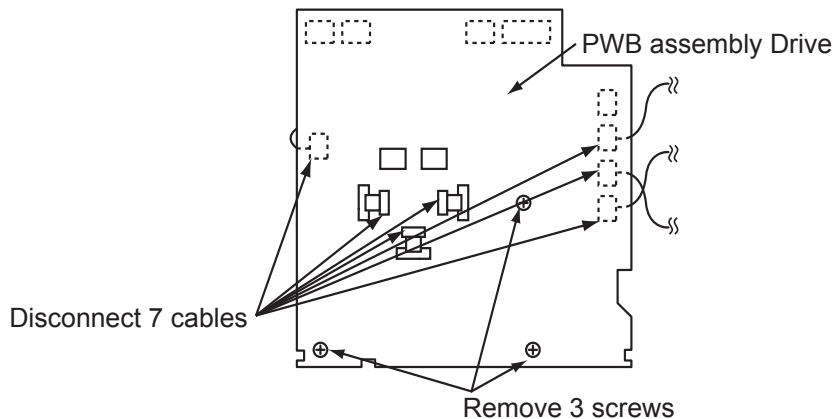


6. Service points

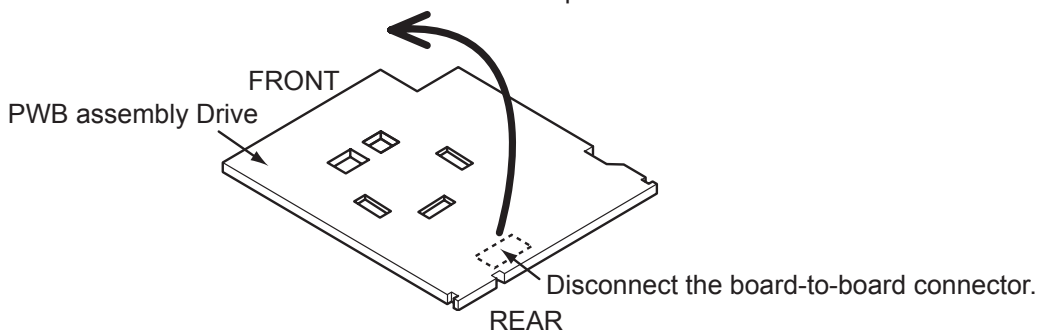
● Cautions when removing the PWB assembly Drive

When removing the PWB assembly Drive, there is danger of damaging the connector connecting cables and the PWB assembly Input.

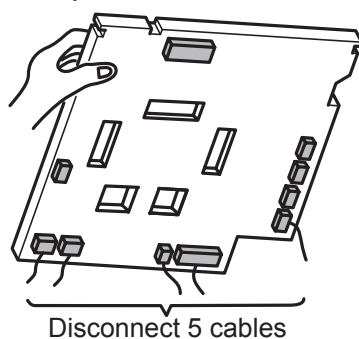
- 1) Disconnect 7 cables and remove 3 screws.



- 2) Lift up the rearward of the PWB assembly Drive to the front. Lift up

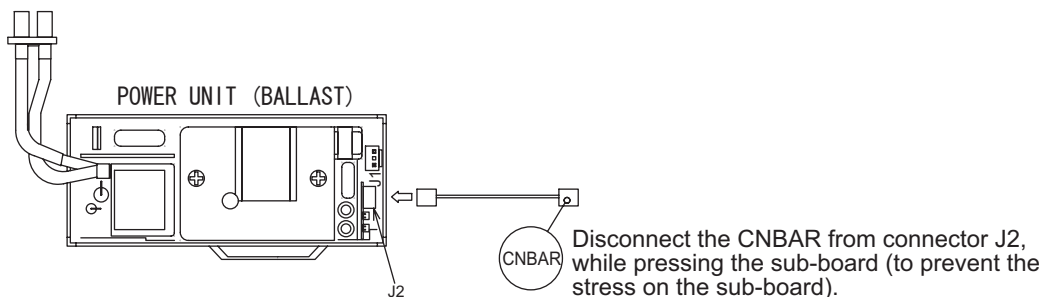


- 3) Disconnect 5 cables lifting the PWB assembly Drive.



● Cautions when removing the POWER UNIT (BALLAST)

When removing the cable (CNBAR) connected to POWER UNIT (BALLAST) there is danger of damaging the small PWB connecting cables.



● **Lead free solder [CAUTION]**

This product uses lead free solder (unleaded) to help preserve the environment. Please read these instructions before attempting any soldering work.

Caution: Always wear safety glasses to prevent fumes or molten solder from getting into the eyes. Lead free solder can splatter at high temperatures (600°C).

■ **Lead free solder indicator**

Printed circuit boards using lead free solder are engraved with an "F."

■ **Properties of lead free solder**

The melting point of lead free solder is 40-50°C higher than leaded solder.

■ **Servicing solder**

Solder with an alloy composition of Sn-3.0Ag-0.5Cu or Sn-0.7Cu is recommended.

Although servicing with leaded solder is possible, there are a few precautions that have to be taken. (Not taking these precautions may cause the solder to not harden properly, and lead to consequent malfunctions.)

Precautions when using leaded solder

- Remove all lead free solder from soldered joints when replacing components.
- If leaded solder should be added to existing lead free joints, mix in the leaded solder thoroughly after the lead free solder has been completely melted (do not apply the soldering iron without solder).

■ **Servicing soldering iron**

A soldering iron with a temperature setting capability (temperature control function) is recommended.

The melting point of lead free solder is higher than leaded solder. Use a soldering iron that maintains a high stable temperature (large heat capacity), and that allows temperature adjustment according to the part being serviced, to avoid poor servicing performance.

Recommended soldering iron:

- Soldering iron with temperature control function (temperature range: 320-450°C)

Recommended temperature range per part:

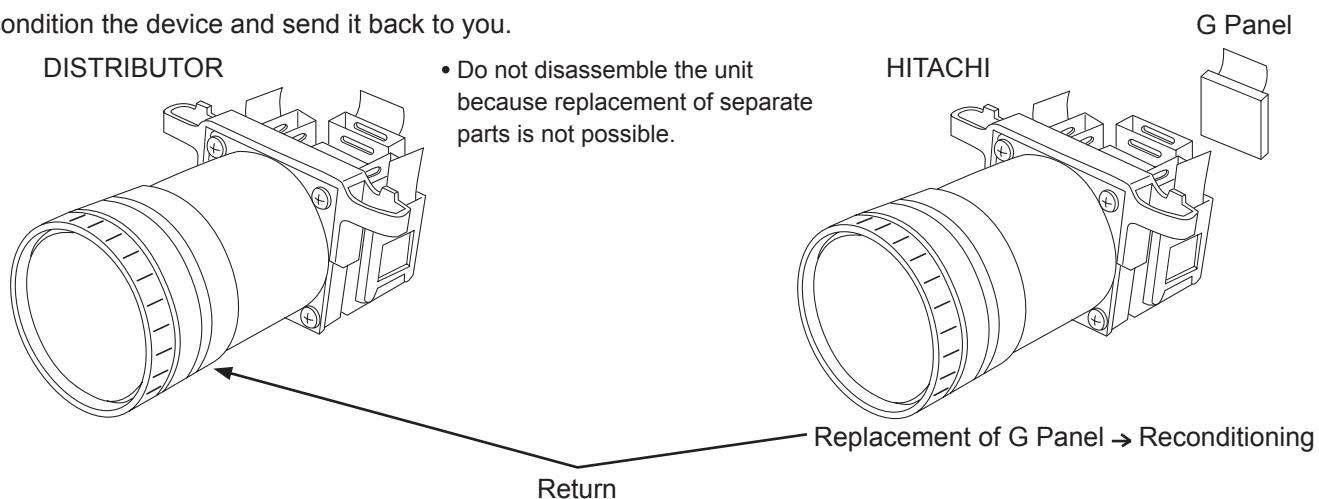
Part	Soldering iron temperature
Mounting (chips) on mounted PCB	320°C±30°C
Mounting (chips) on empty PCB	380°C±30°C
Chassis, metallic shield, etc.	420°C±30°C

The PWB assembly which has used lead free solder

- ① PWB assembly DRIVE
- ② PWB assembly INPUT
- ③ PWB assembly SENSOR
- ④ PWB assembly SWITCH
- ⑤ PWB assembly REMOTE

● Before Replacing the LCD / Lens Prism

You should not replace separately the parts of the liquid crystal LCD / Lens Prism because it works properly only when used together. Therefore, regarding these parts, you can either replace part , LCD / Lens Prism assembly, or send the whole unit LCD / Lens Prism assembly back to Hitachi, where we will replace the malfunctioning part, recondition the device and send it back to you.



● Using the Remote control

CAUTION Precautions to observe in regards to the batteries

Always handle the batteries with care and use them only as directed. Improper use may result in battery cracking or leakage, which could result in fire, injury and/or pollution of the surrounding environment.

- Keep the battery away from children and pets.
- Be sure to use only the batteries specified for use with the remote control. Do not mix new batteries with used ones.
- When inserting batteries, verify that the plus and minus terminals are aligned correctly (as indicated in the remote control).
- When you dispose the battery, you should obey the law in the relative area or country.

1 Remove the battery cover
Slide back and remove the battery cover in the direction of the arrow.

2 Insert the batteries
Align and insert the two AA batteries (that came with the projector) according to their plus and minus terminals (as indicated in the remote control).

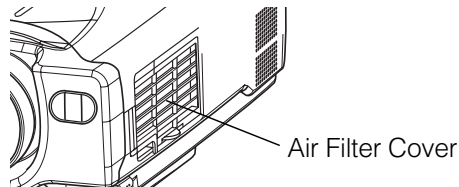
3 Close the battery cover
Replace the battery cover in the direction of the arrow and snap it back into place.

● **Caring for the air filter**

The air filter should be cleaned about every 100 hours. If the LAMP indicator and TEMP indicator blink red simultaneously, or a message prompts you to clean the air filter when you turn on the unit, the filter needs to be cleaned. (See "Related Messages" and "Regarding the Indicator Lamps" for details.)

1 Turn off the projector, and unplug the power cord

2 Apply a vacuum cleaner to the top of the air filter cover to clean the air filter



3 Turn on the projector, and use the menu to reset the filter timer

- To reset the air filter timer, from the OPTION menu, select FILTER TIME. (Select RESET on the menu with the ▲ button.)

● **Lamp (Option Lamp: DT00511(ED-S3170) / DT00521(ED-X3270))**



**HIGH VOLTAGE
HIGH TEMPERATURE
HIGH PRESSURE**

Before replacing the lamp, check the serial number of the replacement lamp bulb (sold separately: DT00511 for ED-S3170/DT00521 for ED-X3270), then contact your local dealer. Before replacing the lamp, turn off the power, and unplug the power cord, then wait at least 45 minutes, in order to ensure that the lamp is properly cooled. Removing the lamp bulb while it is still hot could cause burns, or cause the lamp bulb to burst.

⚠ WARNING The LCD projector uses a glass lamp bulb. It is a mercury lamp with high internal pressure. High-pressure mercury lamps can break with a loud bang, or burn out, if jolted or scratched, or through wear over time. Each lamp has a different lifetime, and some may burst or burn out soon after you start using them. In addition, when the bulb bursts, it is possible for shards of glass to fly into the lamp housing, and for gas containing mercury to escape from the projector's vent holes.

- Handle with care: jolting or scratching could cause the lamp bulb to burst during use.
- If the replace lamp indicator (see "Related Messages" and "Regarding the indicator Lamps") comes on, replace the lamp as soon as possible. Using the lamp for long periods of time, or past the replacement date, could cause it to burst. Do not use old (used) lamps; this is a cause of breakage.
- If the lamp breaks soon after the first time it is used, it is possible that there are electrical problems elsewhere besides the lamp. If this happens, contact your local dealer.
- If the lamp should break (it will make a loud bang when it does), ventilate the room well, and make sure not to breathe the gas that comes out of the projector vents, or get it in your eyes or mouth.
- If the lamp should break (it will make a loud bang when it does), unplug the power cord from the outlet, and make sure to request a replacement lamp from your local dealer. Note that shards of glass could damage the projector's internals, or cause injury during handling, so please do not try to clean the projector or replace the lamp yourself.
- Obey local ordinances when disposing of used lamps. In most cases, it is possible to dispose of used bulbs in the same manner as used glass bottles, but in some cases, bulbs are sorted separately.
- Do not use the projector with the lamp cover removed.

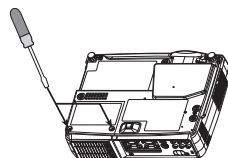
● Replacing the Lamp

All projector lamps will wear out eventually. If used for long periods of time, the image could become darkened, and the color contrast could be impacted as well. We recommend that you replace your lamps early. If the LAMP indicator turns red, or a message prompts you to replace the lamp when you power up the projector, the lamp needs to be replaced. (See "Related Messages" and "Regarding the Indicator Lamps" for details.)

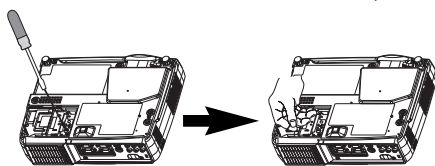
- 1 Turn off the projector, and unplug the power cord. Allow the lamp bulb to cool for at least 45 minutes, and prepare a new lamp (sold separately: DT00511 for ED-S3170/DT00521 for ED-X3270)**

- 2 After making sure that the projector has cooled adequately, slowly flip over the projector, so that the bottom is facing up**

- 3 Unscrew the 2 screws, and remove the lamp cover**

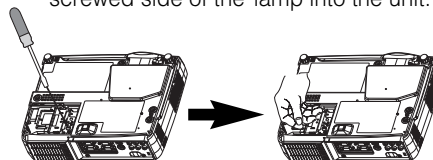


- 4 Unscrew the 1 screw, and slowly pull out the lamp by the handle**
• Be careful not to touch the inside of the lamp case.

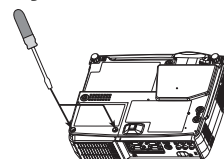


- 5 Insert the new lamp, and tighten the 1 screw firmly to lock it in place**

- Also steadily push the opposite side of the screwed side of the lamp into the unit.



- 6 Replace the lamp cover, and tighten the 2 screws firmly to lock it in place**



- 7 Slowly turn the projector so that the top is facing up**

- 8 Turn on the projector power, and using the menu, reset the lamp timer**

- To reset the lamp timer, from the OPTION menu, select LAMP TIME.

ATTENTION • Make sure that the screws are screwed in firmly. Loose screws could result in damage or injury.

- Do not use with lamp cover removed.
- Do not reset the lamp timer without replacing the lamp. Reset the lamp timer always when replacing the lamp. The message functions will not operate properly if the lamp timer is not reset correctly.
- When the lamp has been replaced after the message of "CHANGE THE LAMP ...THE POWER WILL TURN OFF AFTER 0 hr." is displayed, or the LAMP indicator is red, complete the following operation within 10 minutes of switching power ON.

NOTE • The LAMP indicator is also red when the lamp unit reaches high temperature. Before replacing the lamp, switch power OFF, wait approximately 20 minutes, and switch power ON again. If the LAMP indicator is still red, replace the lamp.

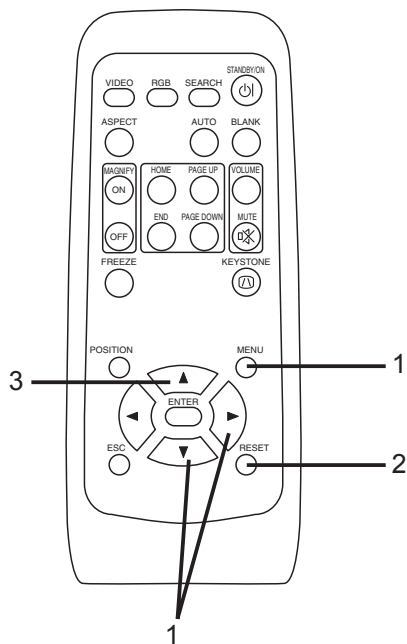
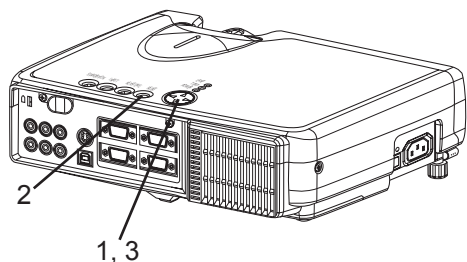
● Resetting the Lamp Timer

Reset the lamp timer after replacing the lamp. When the lamp has been replaced after the LAMP indicator is red, or the CHANGE THE LAMP message is displayed, complete the following operation within ten minutes of switching power ON. The power will be turned off automatically in over 10 minutes.

1. Switch power ON, and select the LAMP TIME on the OPTION menu.
2. Depress the RESET button for at least 3 seconds while lamp time is being displayed.
The reset menu will then appear.
3. Select RESET on the menu with the ▲ button, and wait until the timer display is cleared.

NOTE:

Do not reset the lamp timer without replacing the lamp. Reset the lamp timer always when replacing the lamp. The message functions will not operate properly if the lamp timer is not reset correctly.



● Notice of AUTO adjustment

Use of AUTO adjustment with the image through RGB input optimizes VPOSI, HPOSI, HSIZE and HPHASE automatically.

In case that projected image has dark tone around its peripheral, AUTO operation sometimes makes artifacts in the image, shifts capture area and so on. Those failures are caused by period of image data is not exactly distinguished to period of blanking on signal processing.

To avoid such phenomena, AUTO function should be used with the full size picture that has bright tone on its peripheral.



Image when AUTO operates correctly

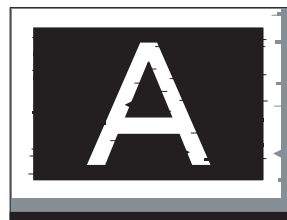


Image when AUTO fails.

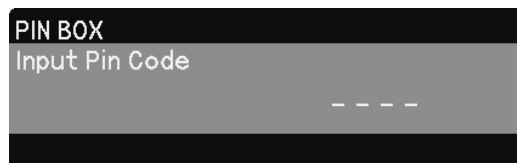
- Noting image of top or bottom lines.
- Shift of the image to East or West.
- Artifacts on image. Etc.

Note

- 1) The phenomenon at the failure of AUTO adjustment depends on resolution of input source, scene of picture etc.
- 2) There is no failure above in AUTO with video source through VIDEO, S-VIDEO or COMPONENT input. The reason is why recognition of input signal's standard does not need to search the capture range from input signal itself.

● PIN LOCK System

If the following PIN BOX menu appears after power on the projector, the PIN LOCK system has been activated. Under such a condition, key operations and signal displaying are inhibited. To open the PIN LOCK system, we need to input the correct 4 digits PIN CODE. If correct PIN CODE is not input in 5 min., the lamp will be automatically turned off.



PIN BOX

Returning repaired unit

Use the Master PIN code. See the paragraph of Releasing the PIN LOCK system inactivation.

Swap unit/Returned unit

Inactivate the PIN LOCK system. See the paragraph of the PIN LOCK system inactivation.

Releasing the PIN LOCK System

When the PIN BOX menu is displayed, sequentially enter the codes with remote controller as follows. In accordance with remote controller button entry, "*" mark appears in the PIN BOX menu.

Master PIN codes

- 1st entry code: Press the "MENU" button.
- 2nd entry code: Press the "▼" button.
- 3rd entry code: Press the "KEYSTONE" button.
- 4th entry code: Press the "▲" button.

Note: The Master PIN codes can be used up to 30 times. The codes cannot be used thereafter. If the Master PIN codes cannot be used, see the paragraph of the PIN LOCK system inactivation.

The PIN LOCK System inactivation

1. When the PIN BOX menu is displayed, press "RESET" for 3 seconds or more in order to get the ID Inquiring Code.



PIN BOX (ID Inquiring Code)

2. Send HITACHI sales company the Inquiring code (10 digits) to inquire the correct PIN code.
 3. With the PIN BOX menu displayed, input the correct PIN code. Enter the correct PIN CODE that HITACHI sales company informed.
 4. Open menu and select "TURN OFF" from the PIN LOCK items in the OPTION menu. Then the PIN BOX menu appears.
 5. Input the correct PIN code in the PIN BOX menu.
 6. And then, the OPTION menu appears.
- After the PIN LOCK system is inactivated, the PIN BOX is no longer displayed in the OPTION menu. If the PIN LOCK items are kept displaying, the PIN LOCK system is not inactivated yet. Input the correct PIN CODE again.

● Related Messages

When the unit's power is ON, messages such as those shown below may be displayed. When any such message is displayed on the screen, please respond as described below.

Message	Description
CHANGE THE LAMP AFTER REPLACING LAMP, RESET THE LAMP TIMER. (Note 1)	Lamp usage time is approaching 2,000 hours. (Note 2) Preparation of a new lamp, and an early lamp change, is recommended. After you have changed the lamp, please be sure to reset the lamp timer.
CHANGE THE LAMP AFTER REPLACING LAMP, RESET THE LAMP TIMER. THE POWER WILL TURN OFF AFTER ** hr. (Note 1)	Lamp usage time is approaching 2,000 hours. A lamp change within ** hours is recommended. (Note 2) When lamp usage reaches 2,000 hours, the power will automatically be turned OFF. Please change the lamp by referring to "THE LAMP" in Vol.1 (Basic). After you have changed the lamp, please be sure to reset the lamp timer.
CHANGE THE LAMP AFTER REPLACING LAMP, RESET THE LAMP TIMER. THE POWER WILL TURN OFF AFTER 0 hr.	As lamp use has reached 2,000 hours, the power will soon be automatically turned OFF. (Note 2) Please immediately turn the power OFF, and follow the instructions in the "THE LAMP" section of the separate booklet, Vol.1 (Basic). After you have changed the lamp, please be sure to reset the lamp timer.
CLEAN THE AIR FILTER AFTER CLEANING AIR FILTER, RESET THE FILTER TIMER.	A note of precaution when cleaning the air filter. After cleaning the filter, operate FILTER TIME of the OPTION Menu, and perform reset of the filter timer.
NO INPUT IS DETECTED ON ***	There is no input signal. Please confirm the signal input connection, and the status of the signal source.
SYNC IS OUT OF RANGE ON *** fH *****kHz fV *****Hz	The horizontal or vertical wavelength of the inputted signal is outside of the response parameters of this unit. Please confirm the specs for this unit or the signal source specs.
CHECK THE AIR FLOW	The internal portion temperature is rising. Please turn the power OFF, and allow the unit to cool down for approximately 20 minutes. After having confirmed the following items, then please resent the power to ON. <ul style="list-style-type: none"> • Is there blockage of the air passage aperture? • Is the air filter dirty? • Does the peripheral temperature exceed 35°C?

NOTES

Note 1: Although this message will be automatically disappeared after around 3 minutes, it will be reappeared every time the power is turned ON.

Note 2: Lamps have a finite product life. Lamps are characterized by the fact that, after long hours of usage, a lamp will no longer light up, or the lamp will break or burst, etc. This unit is equipped with an automatic shut-down function, such that the power will automatically be turned OFF when lamp usage time has reached 2,000 hours. Please be aware, however, that among lamp types, there are major differences in product lifetimes; a lamp may thus fail to light even prior to the functioning of the automatic shut-down function of this unit.

● Regarding the Indicator Lamps

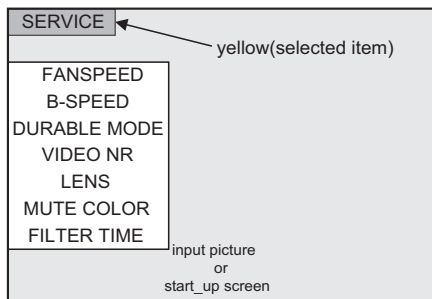
Lighting and flashing of the POWER indicator, the LAMP indicator, and the TEMP indicator have the meanings as described in the Table below. Please respond in accordance with the instructions within the Table.

POWER indicator	LAMP indicator	TEMP indicator	Description
The orange lamp is lighted	Turned OFF (Not lighted)	Turned OFF (Not lighted)	The STANDBY mode is set
Flashing of the green lamp	Turned OFF	Turned OFF	The unit is warming up. Please wait.
The green lamp is lighted	Turned OFF	Turned OFF	The unit is in an ON state. Ordinary operations may be performed.
Flashing of the orange lamp	Turned OFF	Turned OFF	The unit is cooling down. Please wait.
Blink of the red lamp	-	-	The unit is cooling down. Please wait. A certain error has been detected. Wait until the POWER indicator lamp has finished flashing, and then perform the proper response measure using the item descriptions below as reference.
The red lamp is lighted, or blink	The red lamp is lighted	Turned OFF	The lamp does not light. There is a possibility that the interior portion has become heated. Turn the power OFF and wait approximately 20 minutes. After the main unit has cooled down, please confirm whether or not there is blockage of the air passage aperture, whether or not the filter is dirty, and/or whether or not the peripheral temperature exceeds 35°C, etc. After performing any needed maintenance, turn the power ON again; if the same display is displayed, then please change the lamp.
The red lamp is lighted, or blink	Blink of the red lamp	Turned OFF	Either there is no lamp and/or lamp cover, or either of these has not been properly fixed (attached). Turn the power OFF and wait approximately 45 minutes. After the main unit has sufficiently cooled down, please make confirmation of the attachment state of the lamp and lamp cover. After performing any needed maintenance, turn the power ON again.
The red lamp is lighted, or blink	Turned OFF	Blink of the red lamp	The cooling fan is not operating. Turn the power OFF and wait approximately 20 minutes. After the main unit has cooled down, please make confirmation that no foreign matter has become caught in the fan, etc. After performing any needed maintenance, turn the power ON again.
The red lamp is lighted, or blink	Turned OFF	The red lamp is lighted	There is a possibility that the interior portion has become heated. Turn the power OFF and wait approximately 20 minutes. After the main unit has cooled down, please confirm whether or not there is blockage of the air passage aperture, whether or not the filter is dirty, and/or whether or not the peripheral temperature exceeds 35°C, etc. After performing any needed maintenance, turn the power ON again.
The green lamp is lighted	Alternative blink with the red lamp		There is a possibility that the interior portion has become overcooled. Please use the unit within the usage temperature parameters (0°C to 35°C). Check the connector CNTH connecting. After performing any needed maintenance, turn the power ON again.
The green lamp is lighted	Simultaneous blink with the red lamp		This is a notification that it is time to clean the filter. After cleaning the filter, operate the FILTER TIME portion of the OPTION Menu, and perform reset of the FILTER TIME.

NOTE

When the interior portion has become overheated, for safety purposes, the power source is automatically turned OFF, and the indicator lamps may also be turned OFF. Press the "○" (power OFF) side of the main power switch, and wait for approximately 20 minutes. Please then use the unit only after having first confirmed that the unit has sufficiently cooled down.

SERVICE MENU



To display the OSD for “SERVICE MENU” set up.

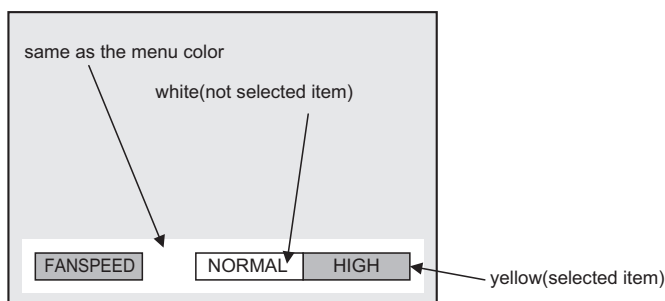
By the control panel	By the remote control transmitter
<ol style="list-style-type: none"> 1. Display the menu by the “MENU” button. 2. Select the “OPT.” on the menu. 3. Continue press the button “◀” first, then press the button “◀” together with “RESET”, and hold for 3 seconds. 	<ol style="list-style-type: none"> 1. Display the menu by the “MENU” button. 2. Select the “OPT.” on the menu. 3. Continue pressing the button “MAGNIFY OFF” for 3 seconds.

● Setup of a Cooling Fan Speed

When using this projector in the place where altitude is high, we recommend you to set a cooling fan’s speed as “HIGH”. It is because the cooling efficiency of a projector falls and the temperature inside a projector rises easily in such a place, since the density of air becomes low.

Setting Method of Cooling Fan Speed

1. Select the “FAN SPEED” on the OSD using button “▼” by the SERVICE MENU.



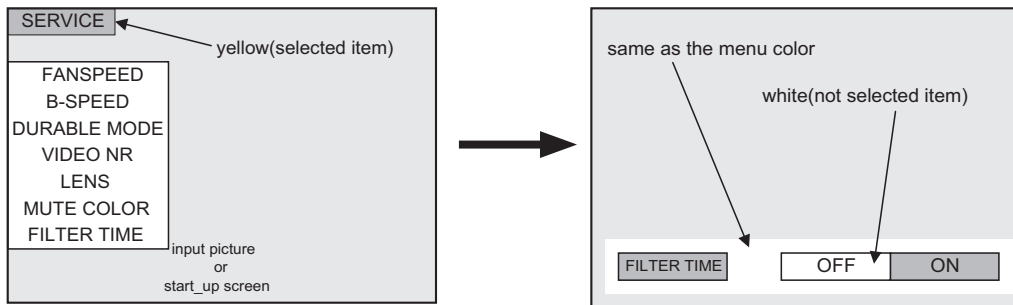
2. Select the “HIGH” on the OSD using the button “▶”. To reset this setup, select the “NORMAL” using the button “◀”.
3. The OSD will be ended by no operation for 10 seconds or change of input signal. To end immediately, use one of buttons except buttons “▲”, “▼”, “◀”, “▶”.

NOTE:

- The “HIGH” mode makes the fan noisy than “NORMAL” mode.
- The recall of factory setting sets the fan speed to “NORMAL” mode. You must set the fan speed after recall of factory setting if you need “HIGH” mode.

● Setup of Filter time (“ON” or “OFF”)

1. Select the “FILTER TIME” on the OSD using button “▼” by the SERVICE MENU.



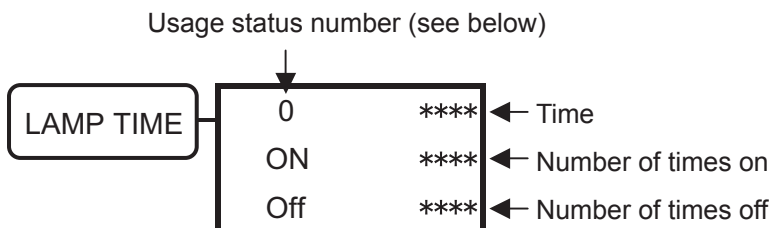
2. ON : Select the “ON” on the OSD using button “▶”.

OFF : Select the “OFF” on the OSD using button “◀”.

3. The OSD will be ended by no operation for 10 seconds or change of input signal. To end immediately, use one of buttons except buttons “▲”, “▼”, “◀”, “▶”.

● **Set operating time display method (accumulated lamp time display method)**

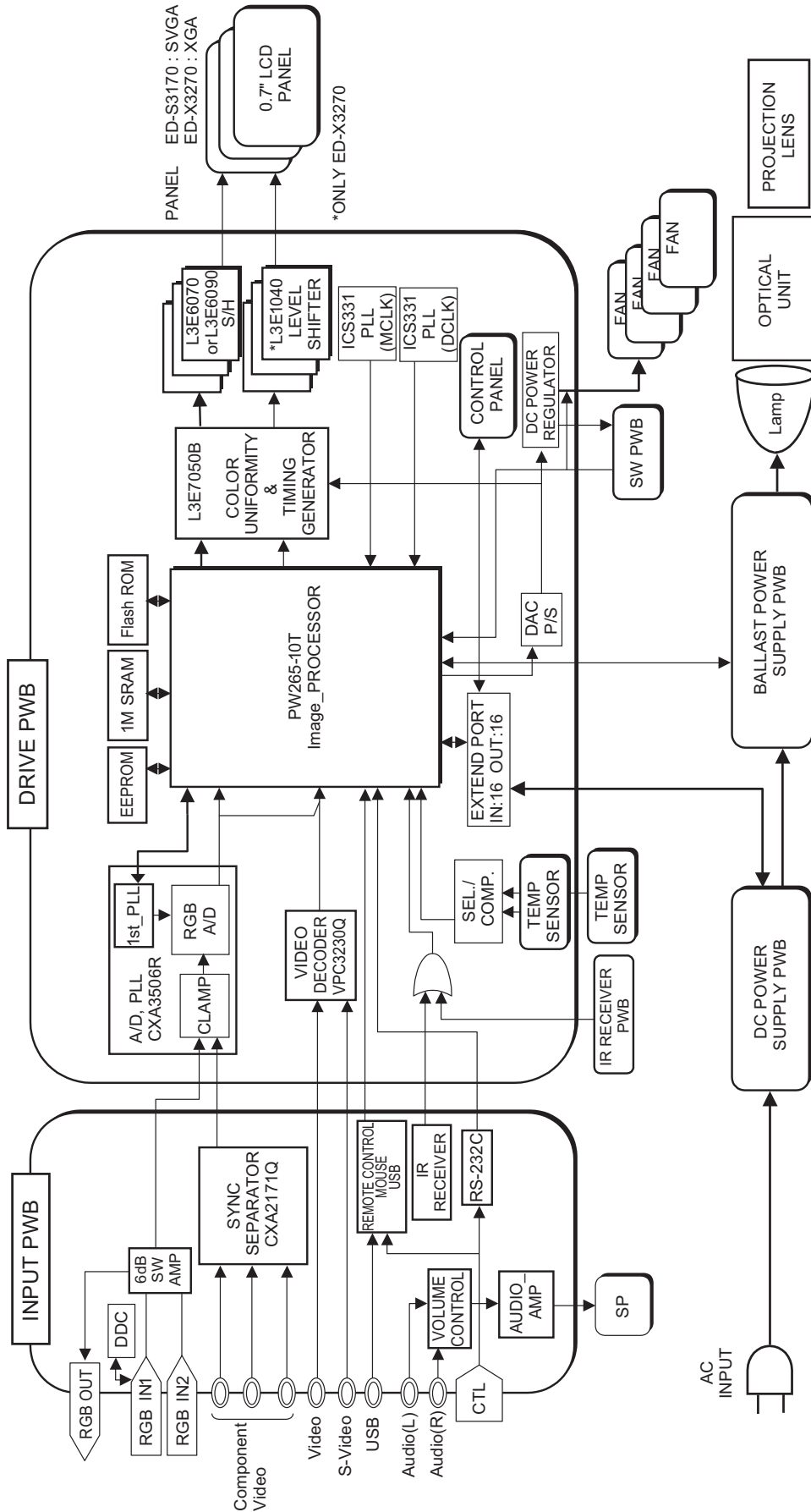
1. Select [Option] from the [Menu] display, then select [Lamp Time].
2. Press the [Reset] button once, then press [Keystone] for 3 seconds or more to display the screen shown below.
(The menu will close after 10 seconds if there are no further operations.)
3. Use “▲” or “▼” to select the usage status number. (The usage status is as shown below.)



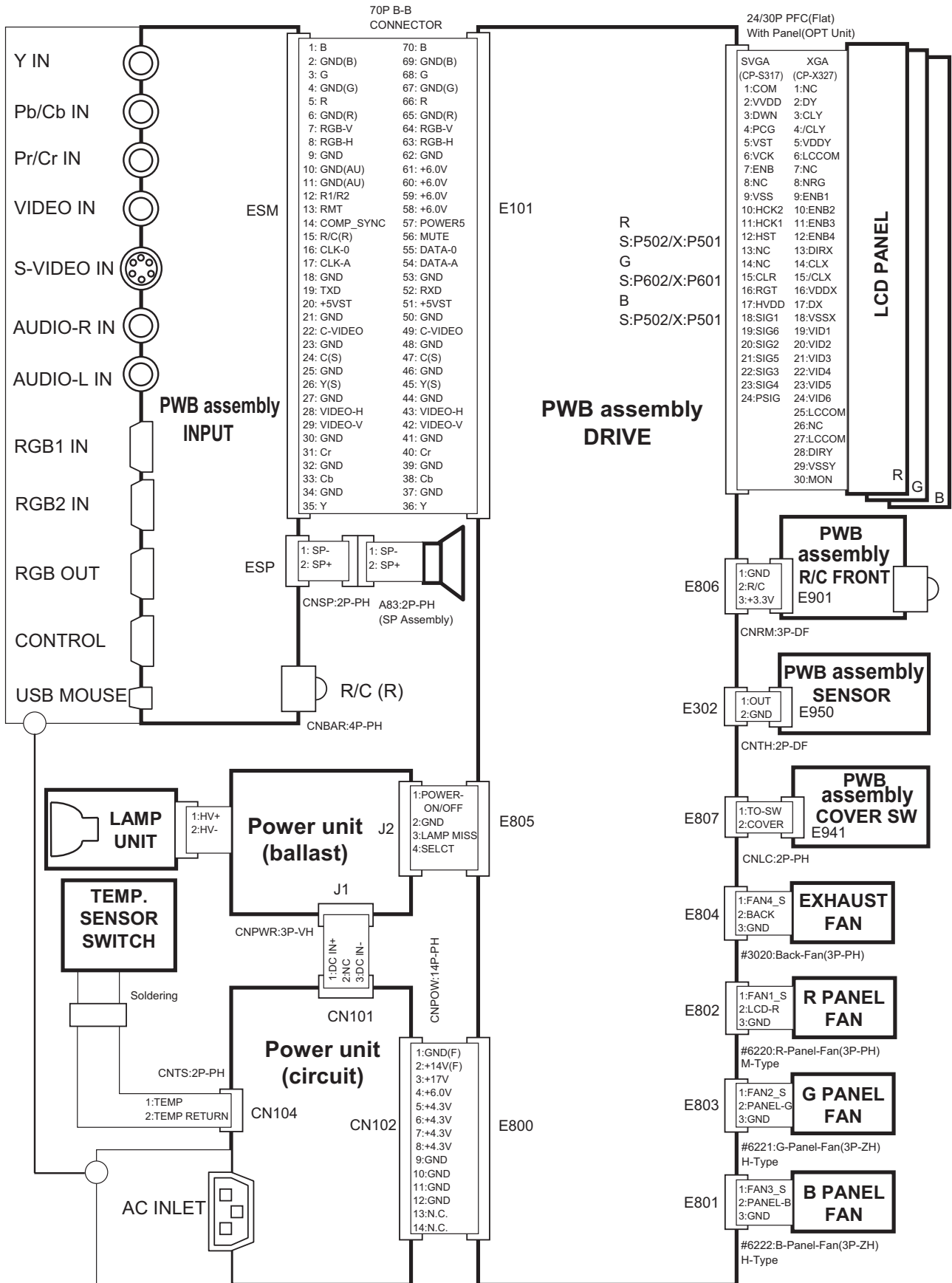
Usage status number

- 0 Total usage status
- 1 Current usage status
- 2 Usage status before first reset
- 3 Usage status before second reset
- ||
- 8 Usage status before seventh reset

7. Block diagram



8. Connector connection diagram

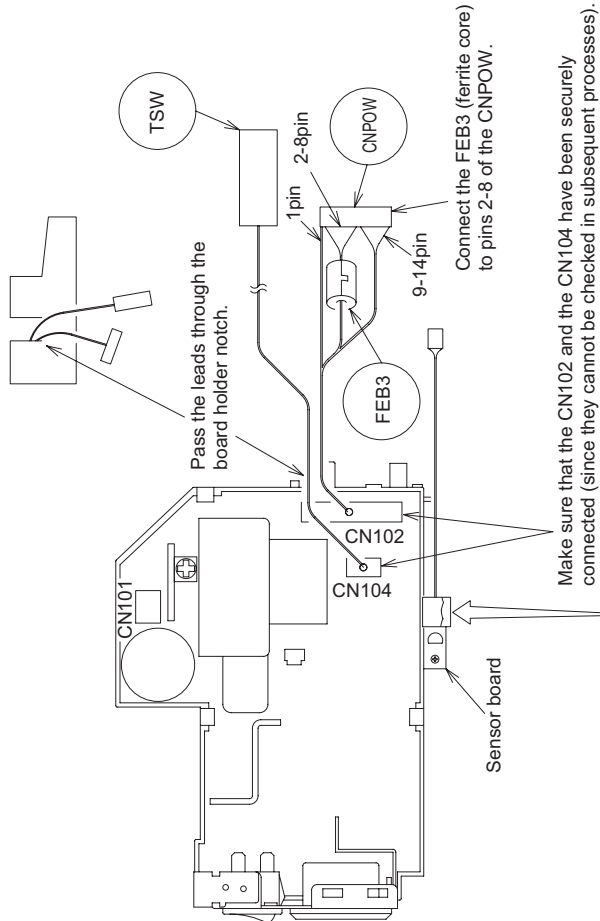


9. Wiring diagram

Wiring for Circuit Power Supply and Ballast Power Supply Boards

Wiring for Circuit Power Supply Board

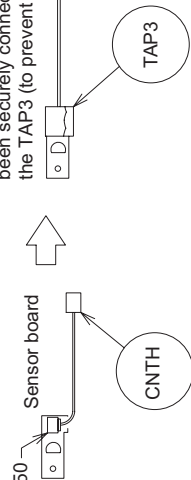
- (1) Keep a record of the circuit power supply lot number in the 100% inspection record.
- (2) Connect the TSW.
- (3) Install the FEB3.
- (4) Connect the CNPOW.
- (5) Connect the CNTH.
- (6) Apply the TAP3.



Install the sensor board after completing the following steps:

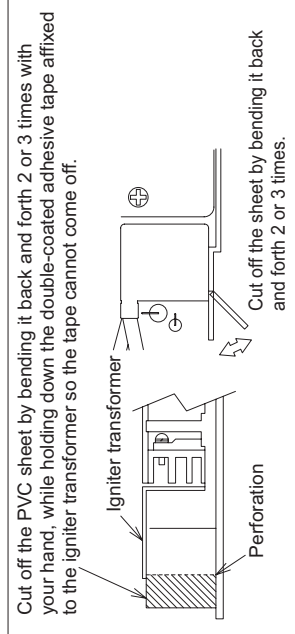
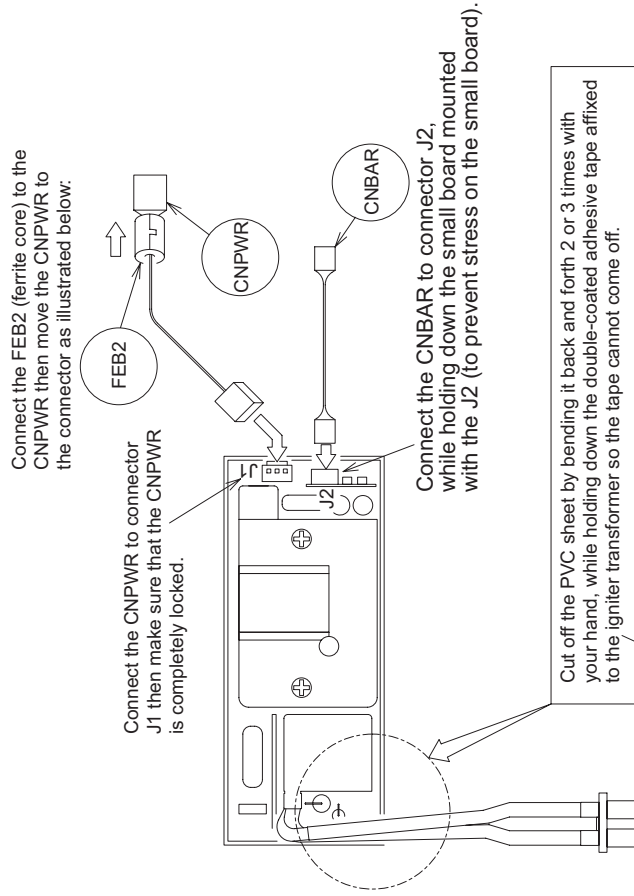
Connect the CNTH to connector E950 on the sensor board.

Make sure that connector E950 has been securely connected then apply the TAP3 (to prevent detachment).



Wiring for Ballast Power Supply Board

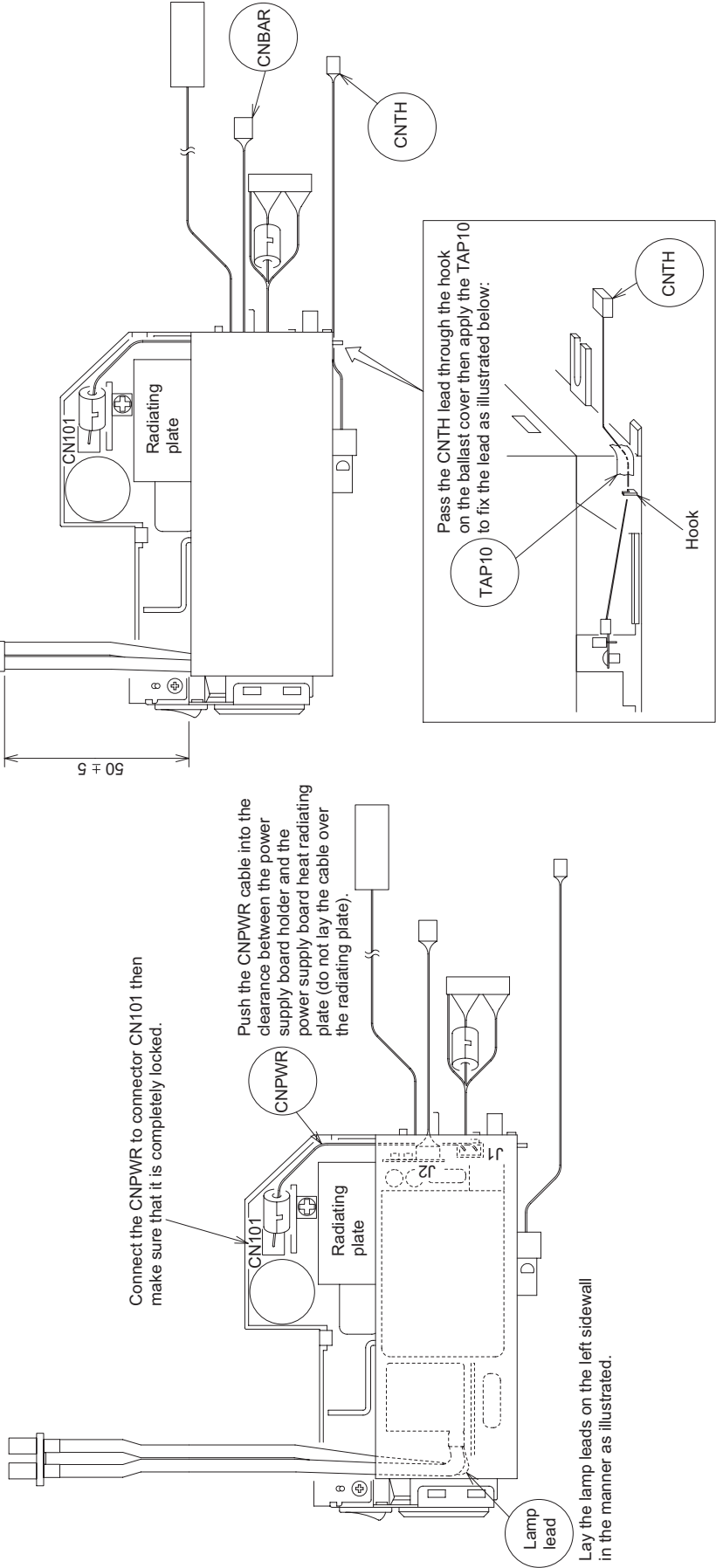
- (1) Keep a record of the ballast power supply lot number in the 100% inspection record.
- (2) Cut off the PVC sheet.
- (3) Connect the CNPWR.
- (4) Install the FEB2.
- (5) Connect the CNBAR.
- (6) Install the ballast shield (in accordance with the general assembly drawing).



Wiring for Power Supply (for Board Sub-assembly)

- During power supply assembling
- (1) Wire and connect the CNPWR.
 - (2) Lay the lamp leads.
 - (3) Apply the TAP6.
 - (4) Hook the CNTH lead and apply the TAP10.

Apply the TAP6 to the specified position on the lamp leads shown in the illustration.



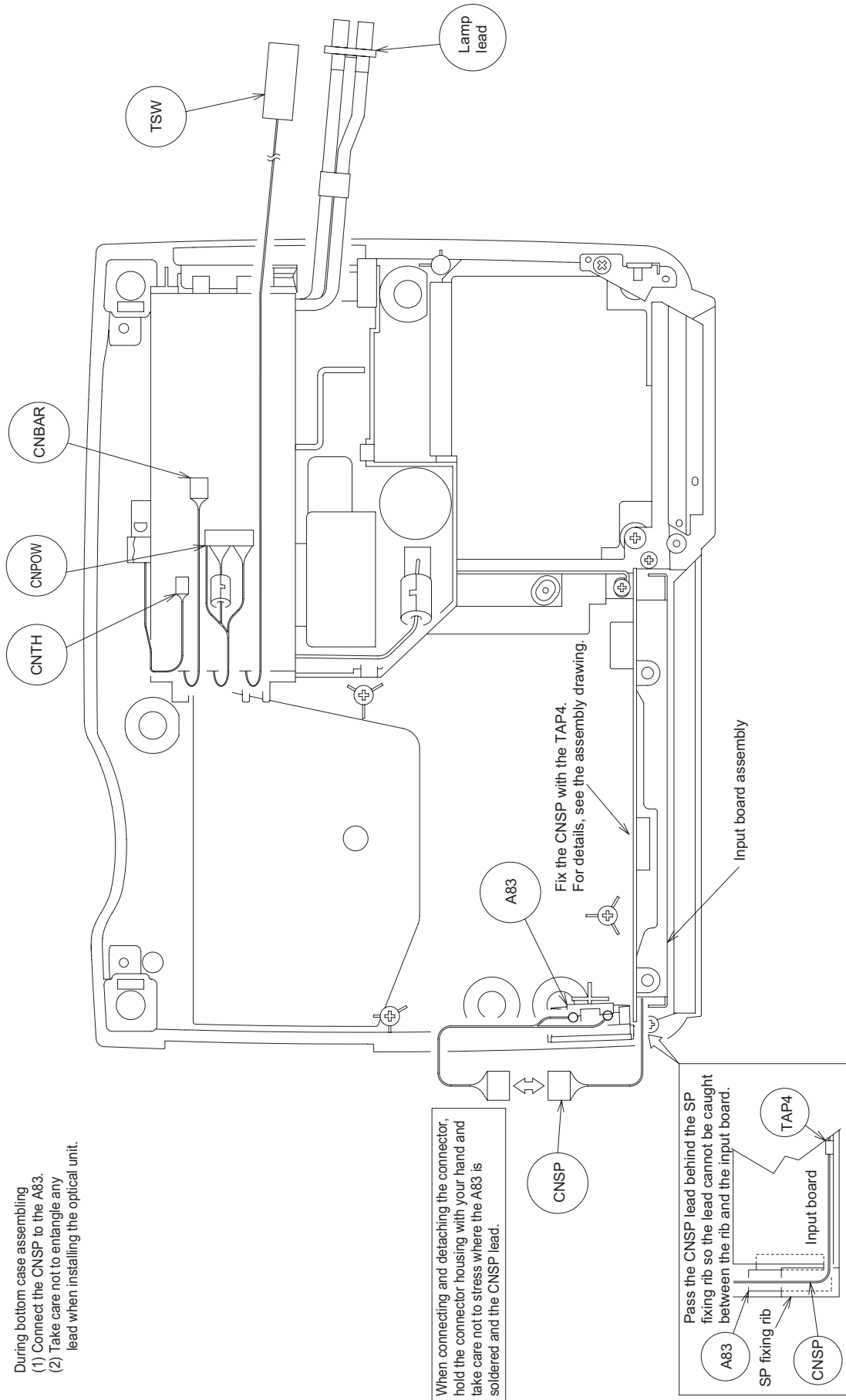
Lay the lamp leads on the left sidewall in the manner as illustrated.

Wiring for Bottom Case Assembling

Before installing the optical unit, put all of leads away from where the optical unit is installed as illustrated below so no lead can become entangled.

During bottom case assembling

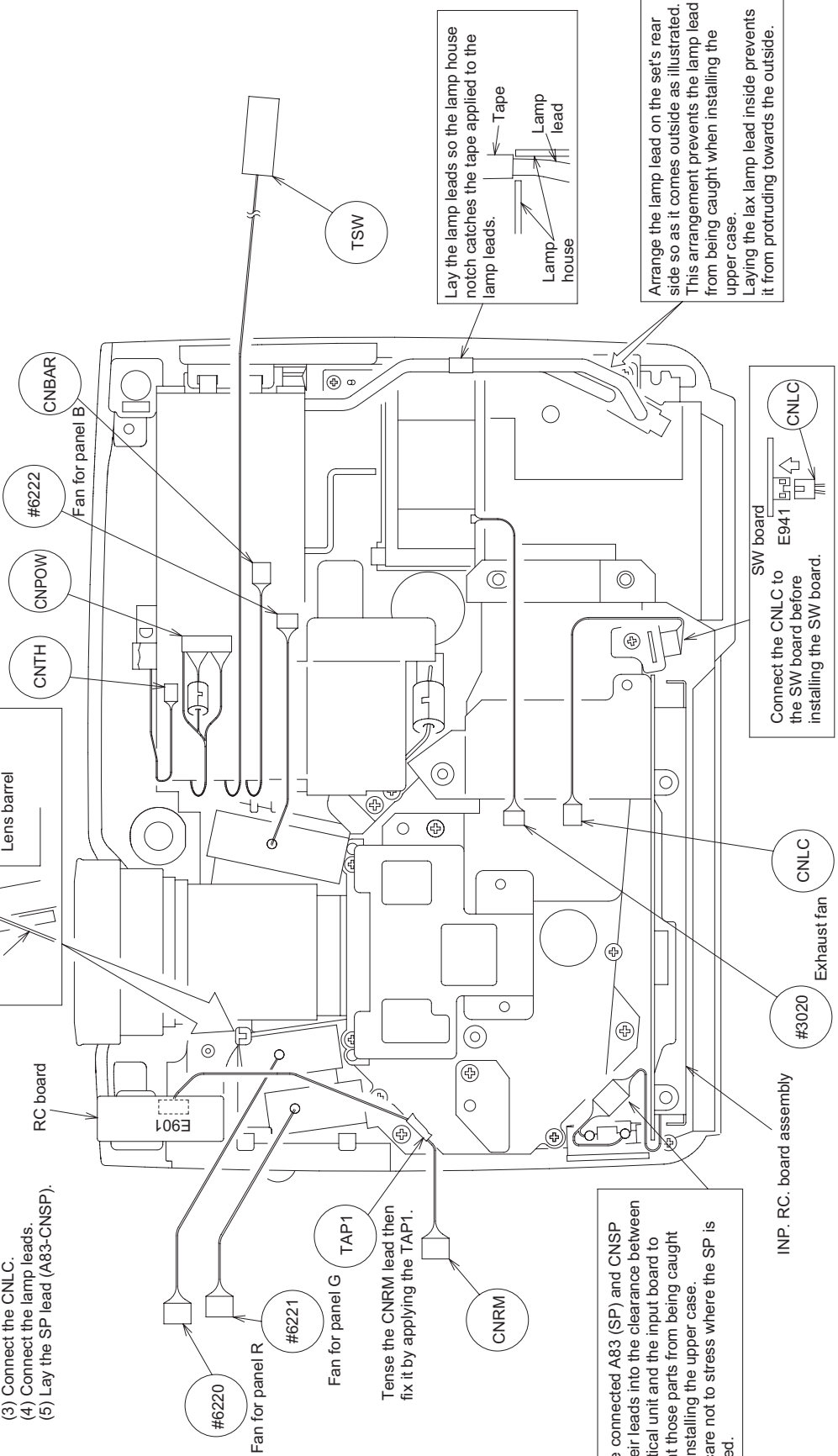
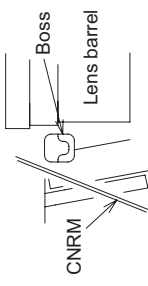
- (1) Connect the CNSP to the A83.
- (2) Take care not to entangle any lead when installing the optical unit.



Wiring for Optical Unit Installation

- During optical unit installation
- (1) Connect the CNRM.
 - (2) Apply the TAP1.
 - (3) Connect the CNLC.
 - (4) Connect the lamp leads.
 - (5) Lay the SP lead (A83-CNSP).

Pass the CNRM through the specified position as illustrated and avoid passing it between the boss and the lens barrel (to prevent the lens from contacting the cable).



Lay the lamp leads so the lamp house notch catches the tape applied to the lamp leads.

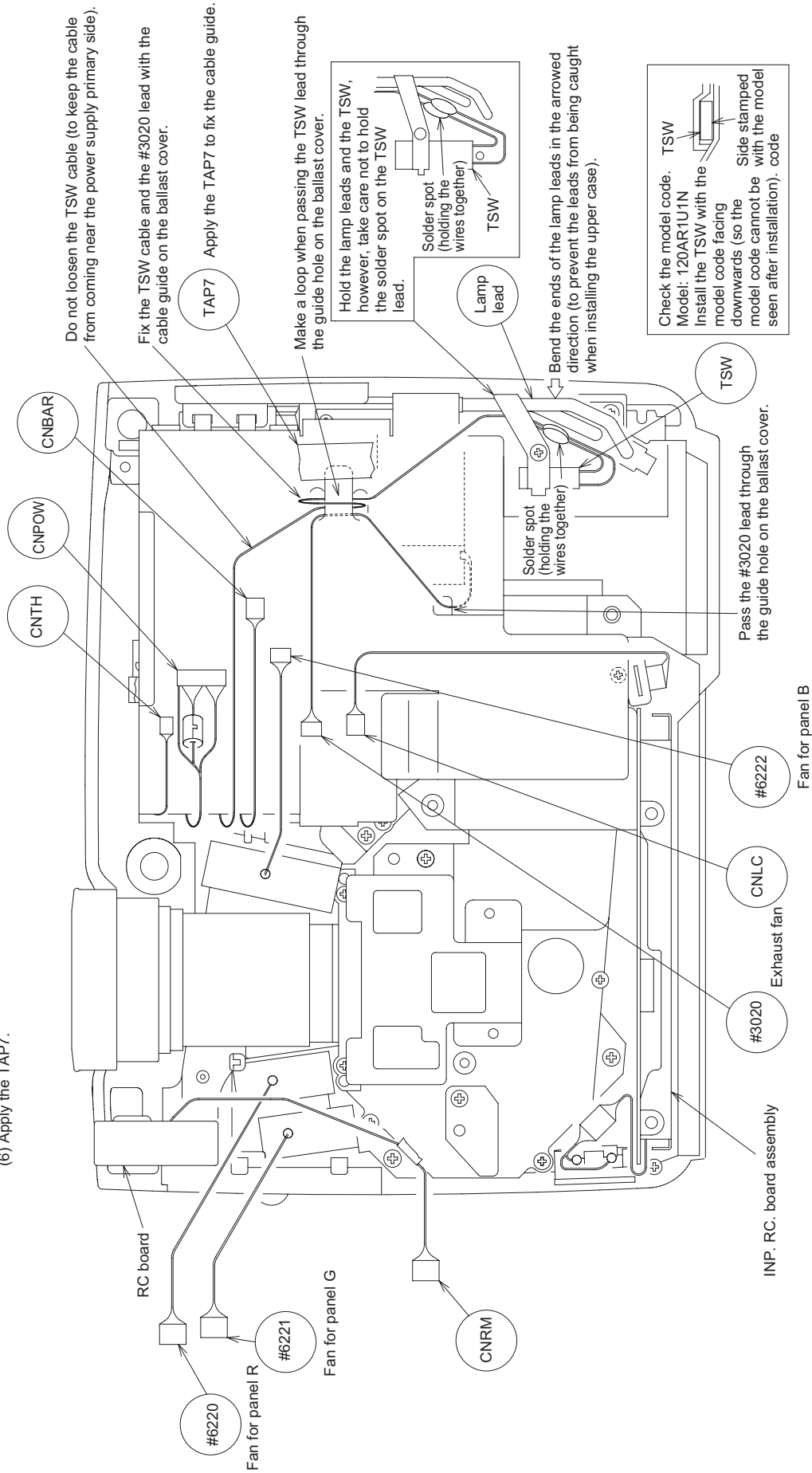
Arrange the lamp lead on the set's rear side so as it comes outside as illustrated. This arrangement prevents the lamp lead from being caught when installing the upper case. Laying the lax lamp lead inside prevents it from protruding towards the outside.

Connect the CNLC to the SW board before installing the SW board.

Put the connected A83 (SP) and CNSP and their leads into the clearance between the optical unit and the input board to prevent those parts from being caught when installing the upper case. Take care not to stress where the SP is soldered.

Wiring before Drive Board Installation

- Before drive board installation
- (1) Wire the CNBAR.
 - (2) Wire and install the TSW.
 - (3) Lay and fix the lamp leads.
 - (4) Lay the #3020 lead.
 - (5) Wire the TSW.
 - (6) Apply the TAP7.

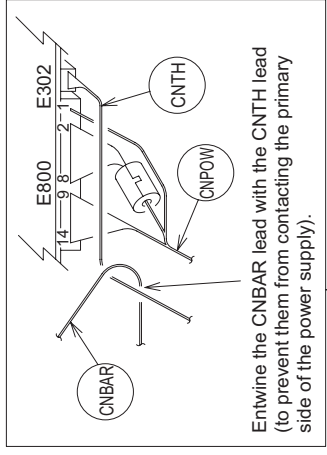


Wiring for Drive Board Installation

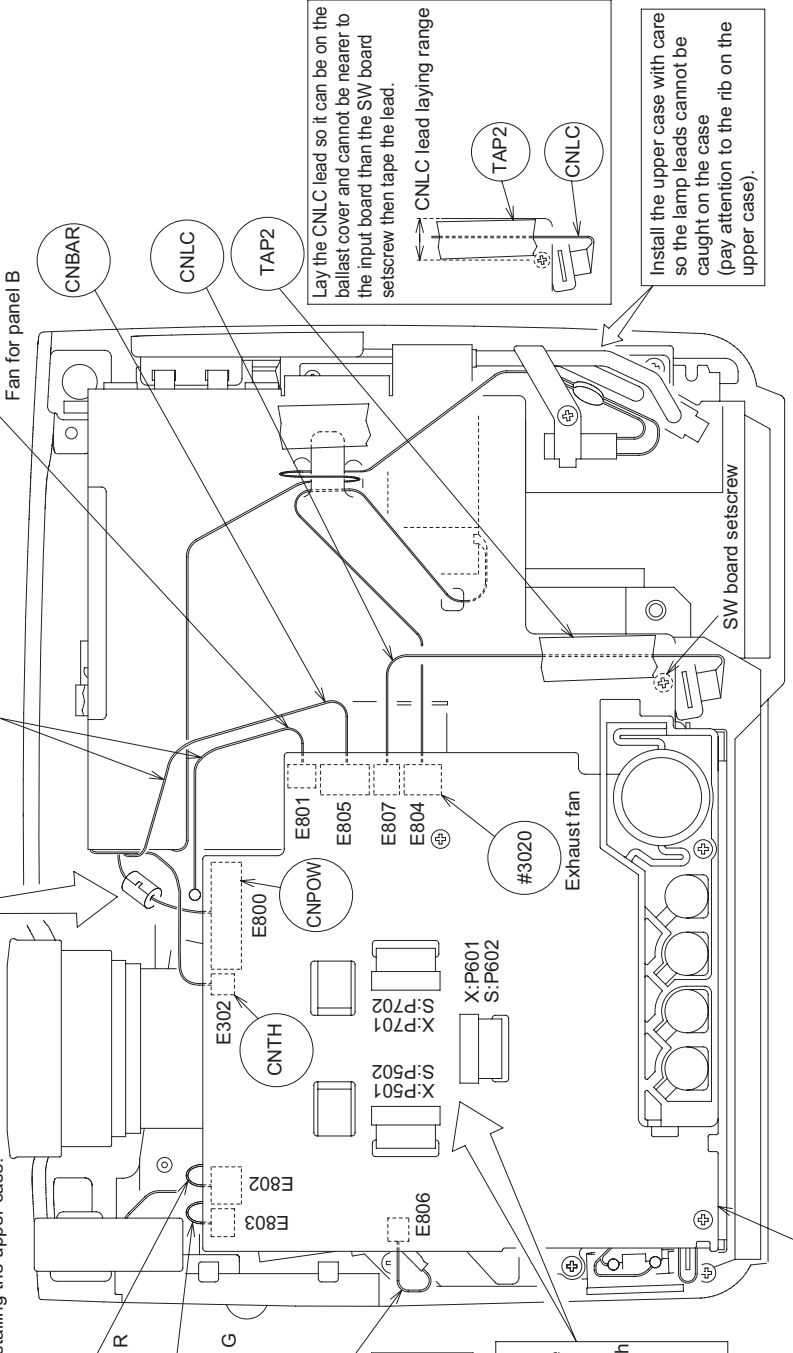
Procedure

- (1) Before installing the drive board, connect the CNBAR and the #6222 while holding the drive board with your hand.
- (2) Put the drive board in the position where you install it then connect the CNTH, the CNPOW, the #6220 and the #6221 while lifting the rear of the board.
- (3) Connect the CNRM, the CNLC, the #3020 and the panel flexible cable.

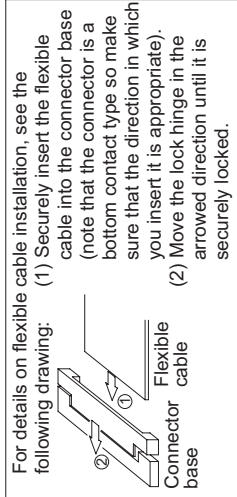
- During drive board installation
- (1) Connect the CNTH, the CNPOW, the #6220 and the #6221.
 - (2) Wire and connect the CNBAR and the #6222.
 - (3) Connect the CNRM, the CNLC and the #3020.
 - (4) Apply the TAP2.
 - (5) Connect the flexible cable for the liquid crystal panel.
 - (6) Take care not to entangle the lamp leads when installing the upper case.



Pass the #6222 lead over the ballast cover (if the lead is passed from the side of the ballast power supply, it will contact the power supply primary side).



Put the connector CNRM lead into the clearance between the optical unit and the bottom case (to prevent the lead from being caught when installing the upper case).

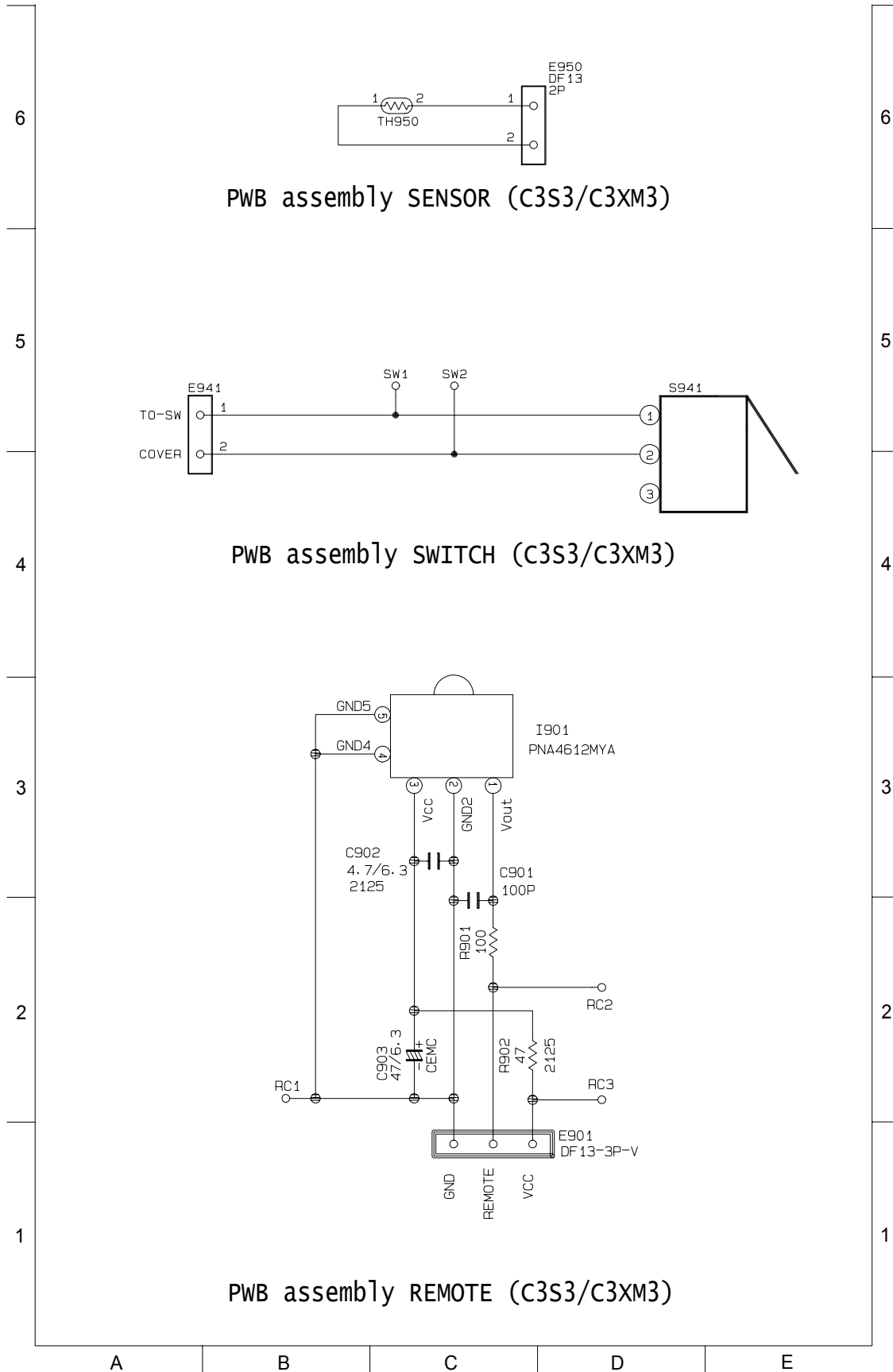


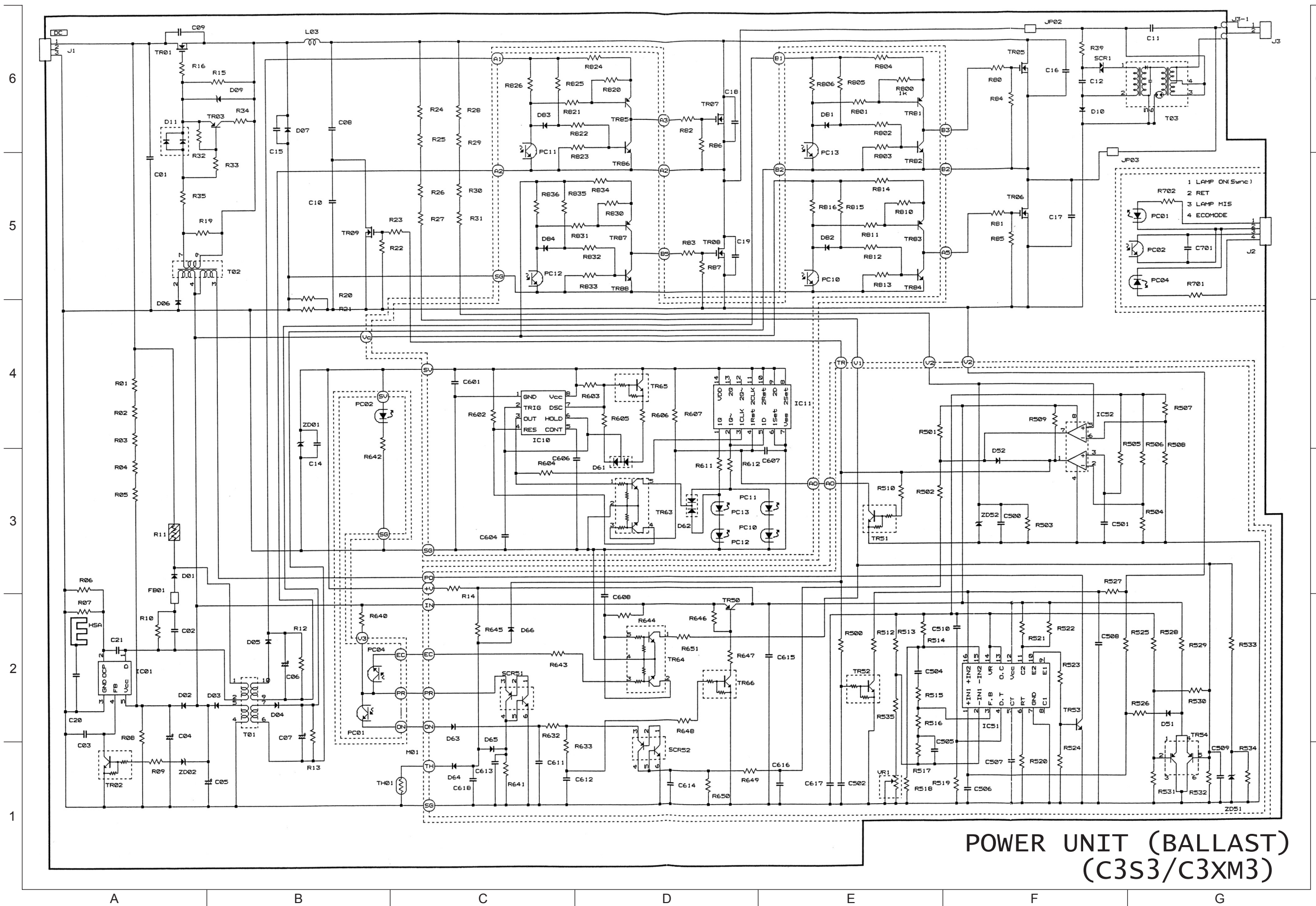
Lay the CNLC lead so it can be on the ballast cover and cannot be nearer to the input board than the SW board setscrew then tape the lead.

Install the upper case with care so the lamp leads cannot be caught on the case (pay attention to the rib on the upper case).

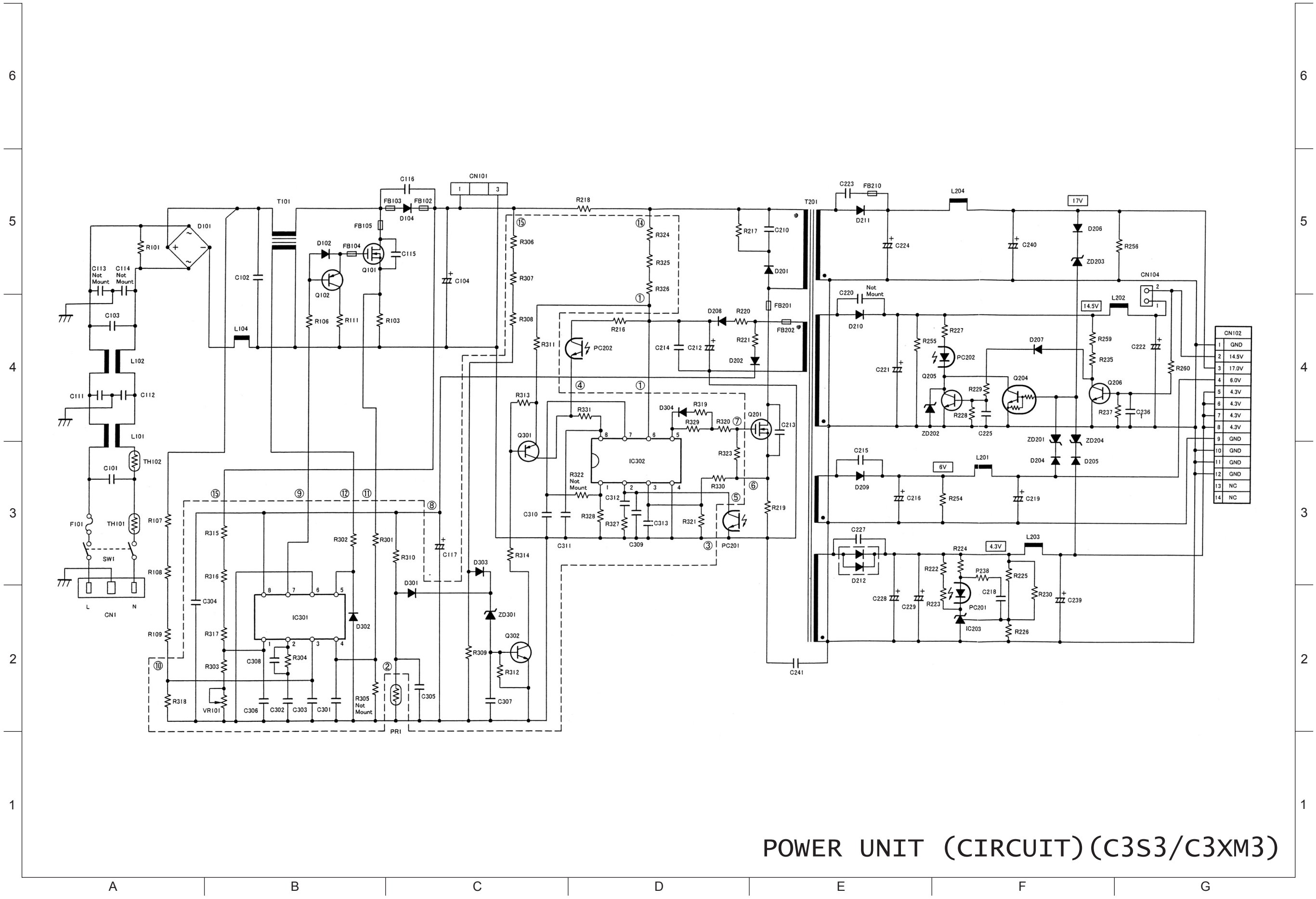
10. Basic circuit diagram

Parts with hatching are not mounted.

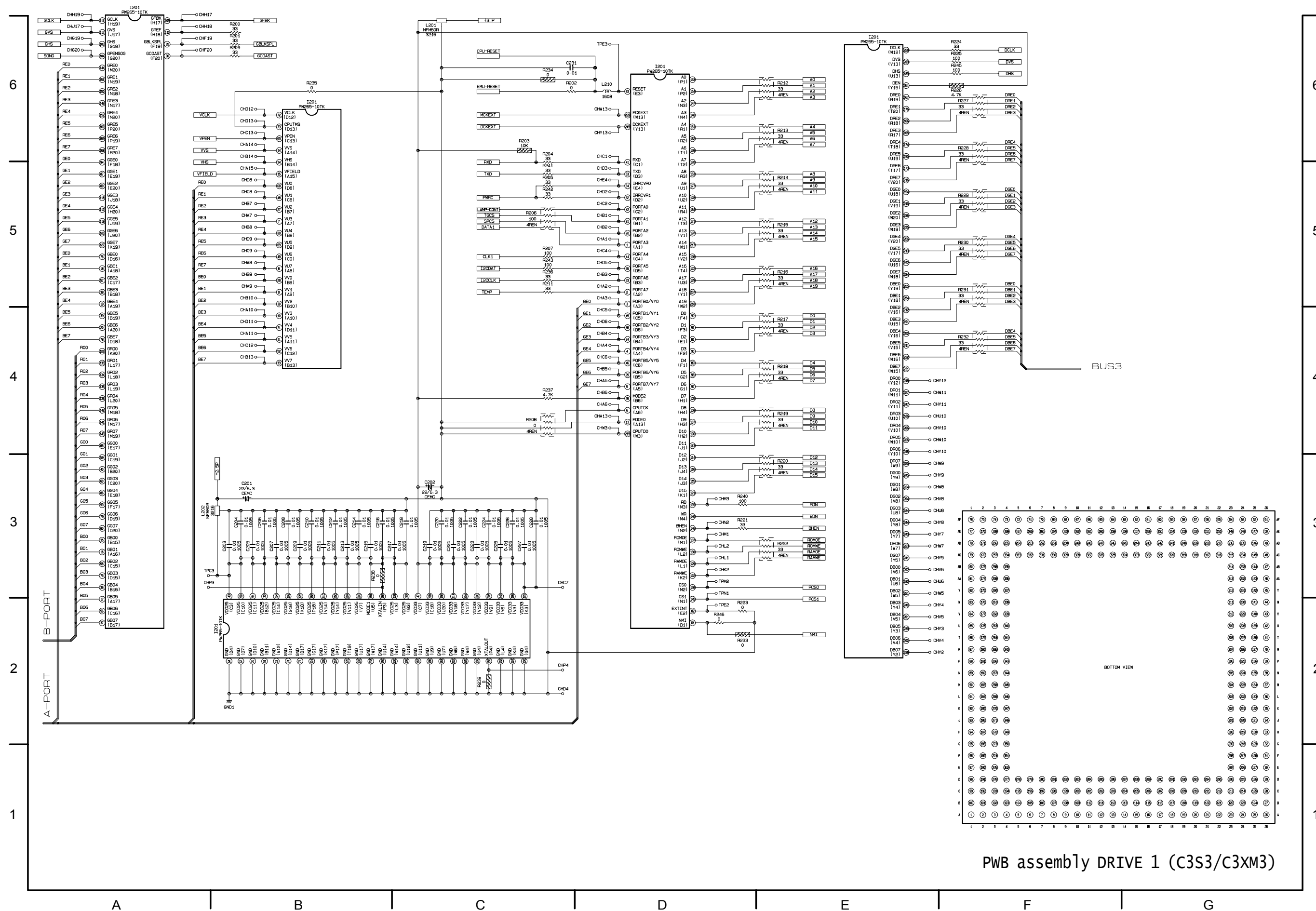


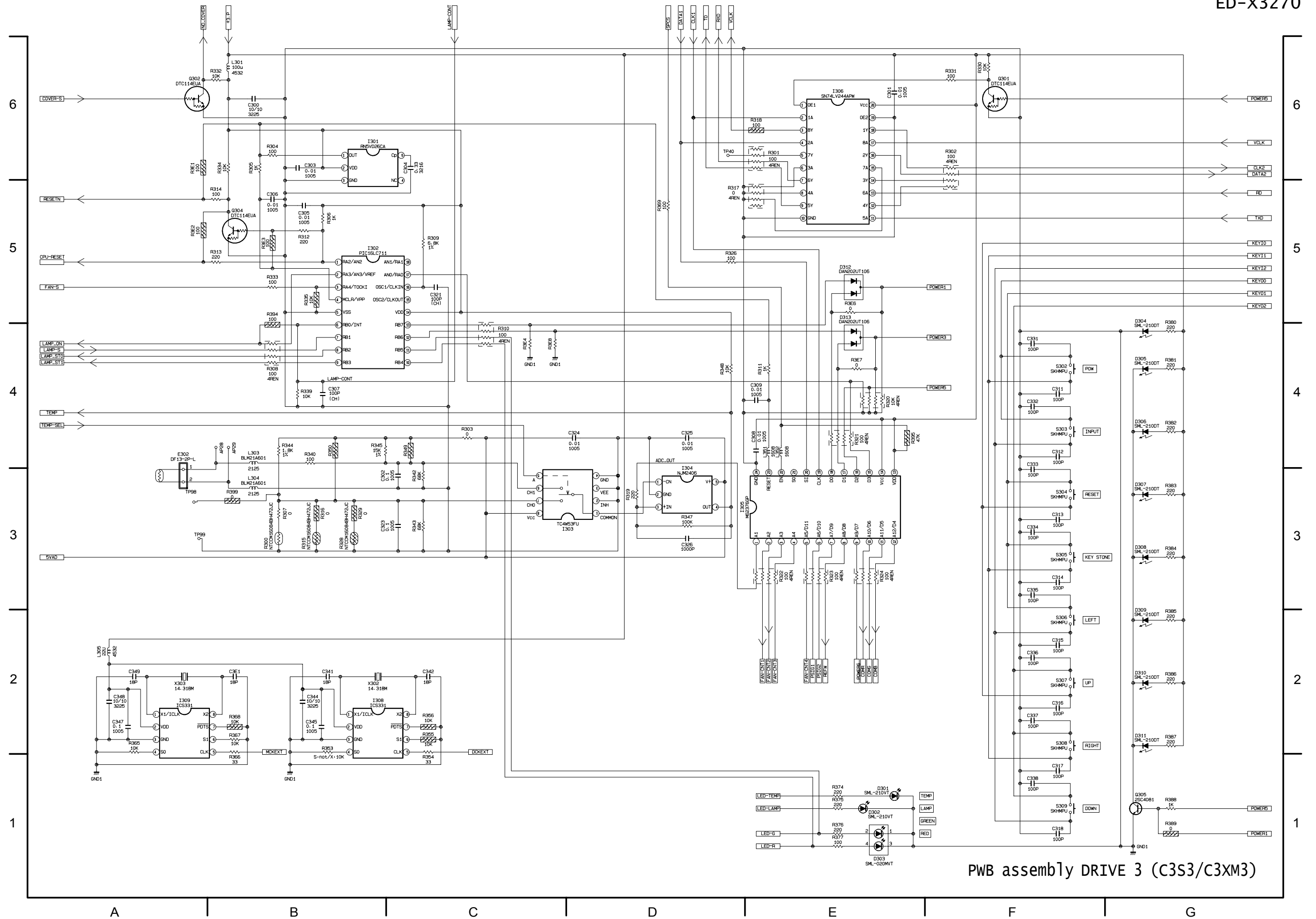


POWER UNIT (BALLAST)
(C3S3/C3XM3)



POWER UNIT (CIRCUIT) (C3S3/C3XM3)





6

5

4

3

2

1

A

B

C

D

E

F

G

6

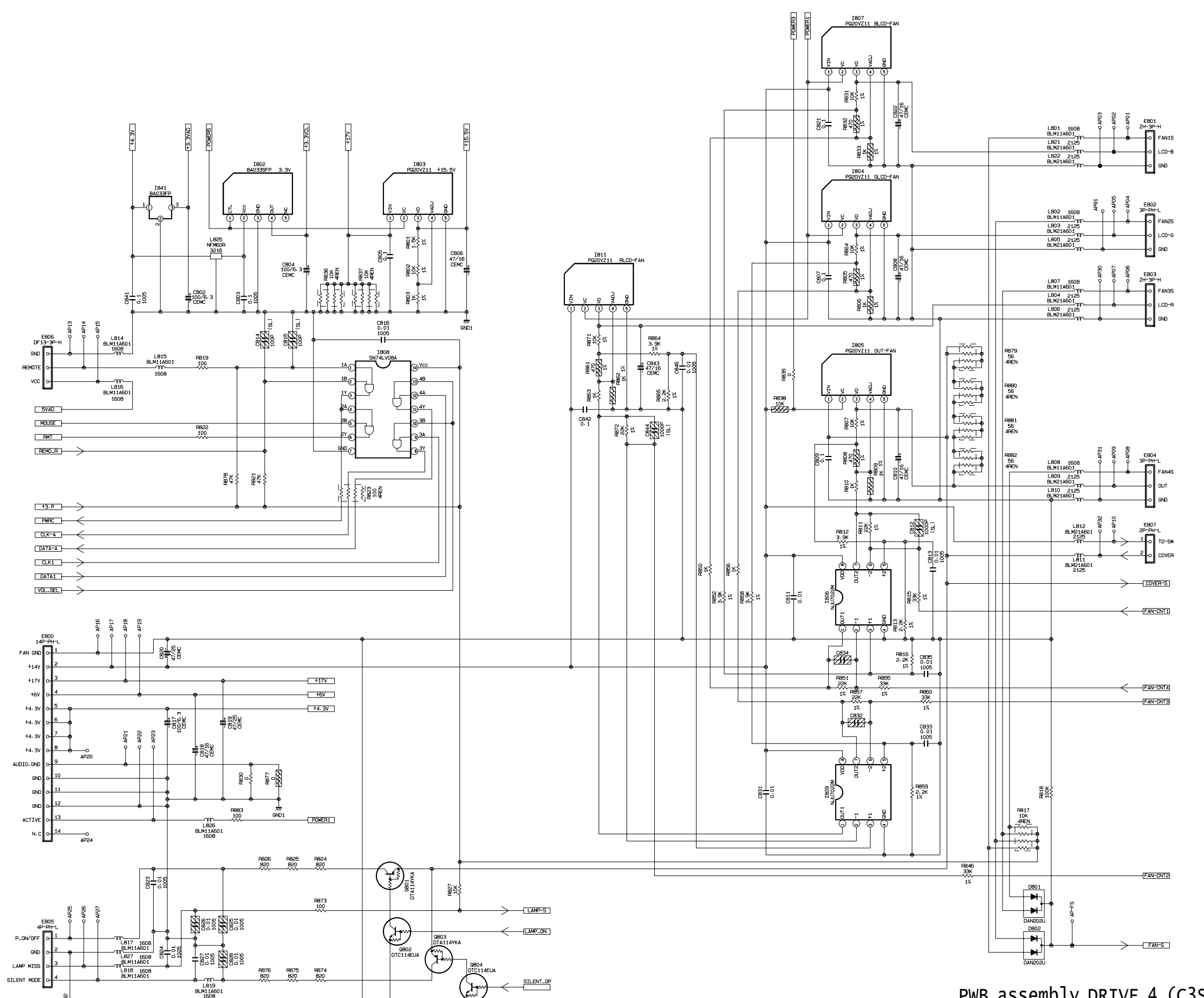
5

4

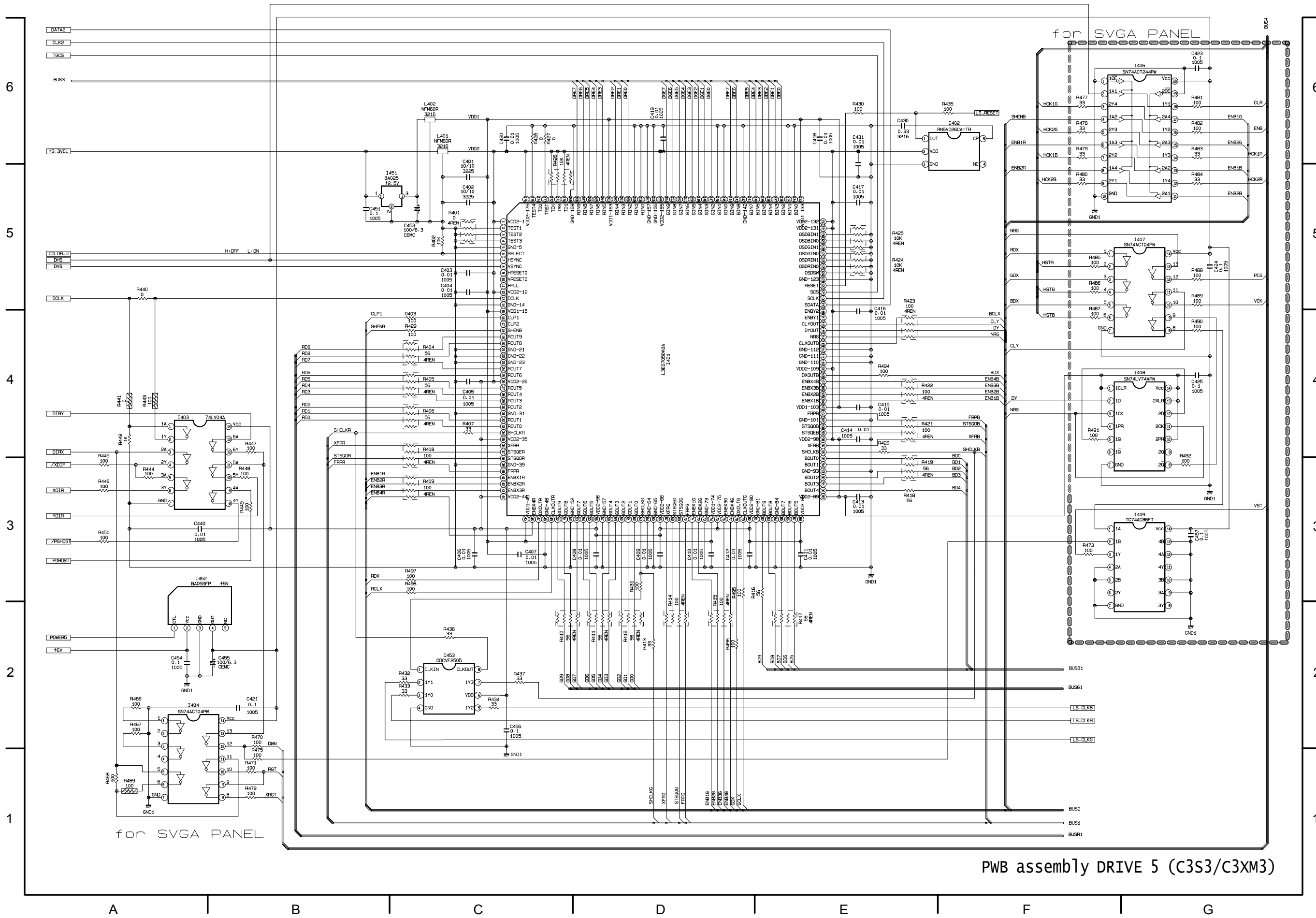
3

2

1



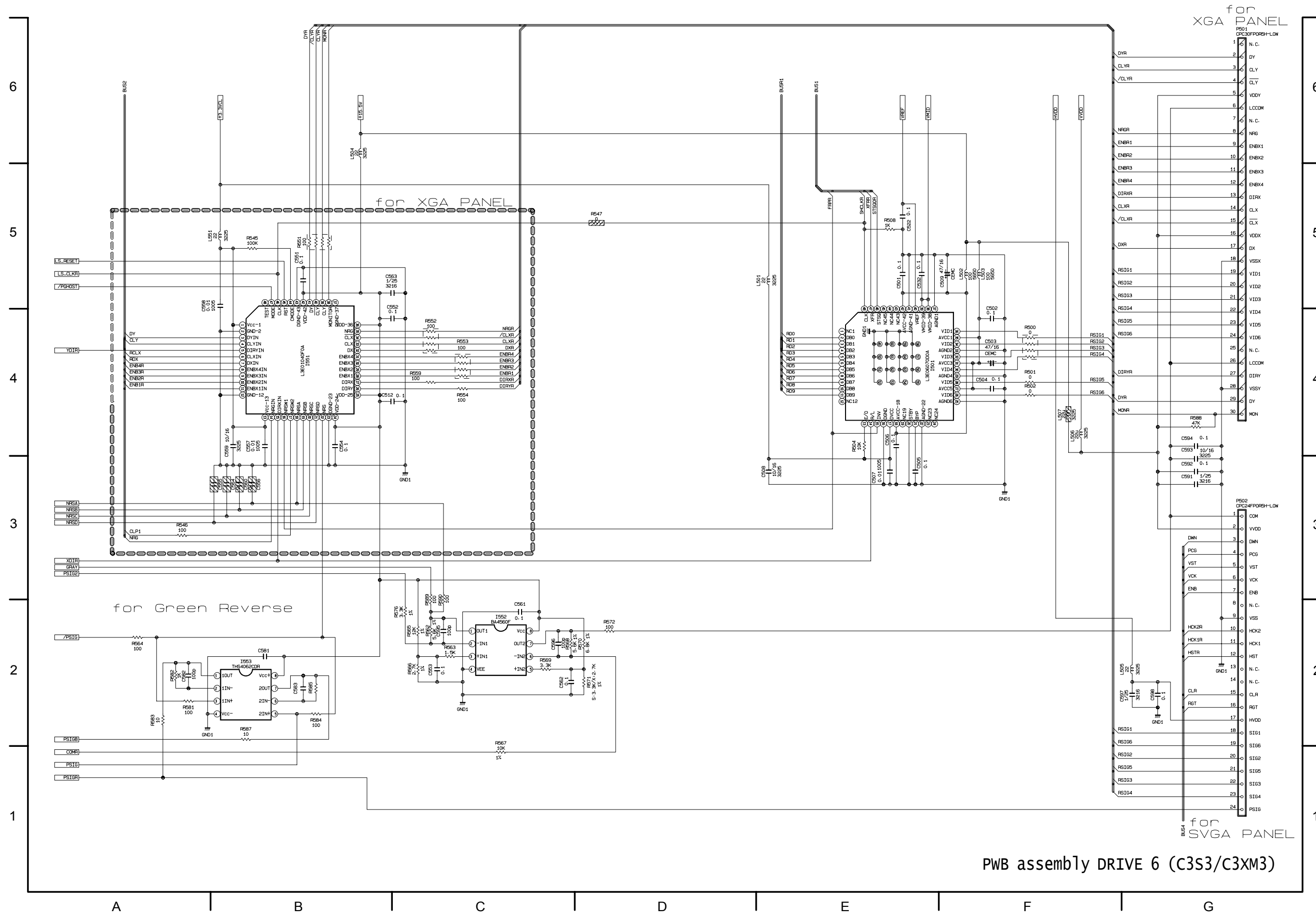
PWB assembly DRIVE 4 (C3S3/C3XM3)



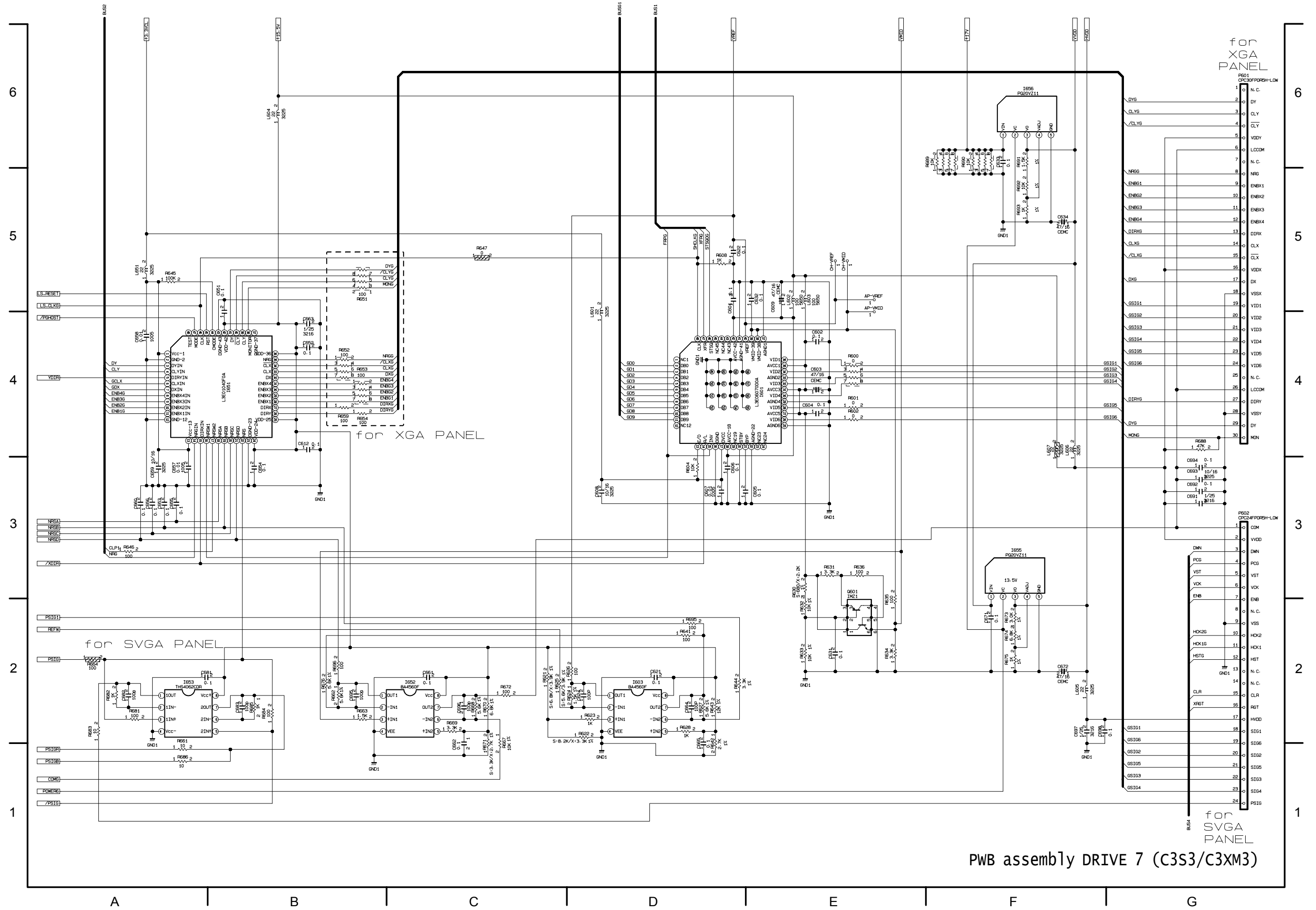
6
5
4
3
2
1

6
5
4
3
2
1

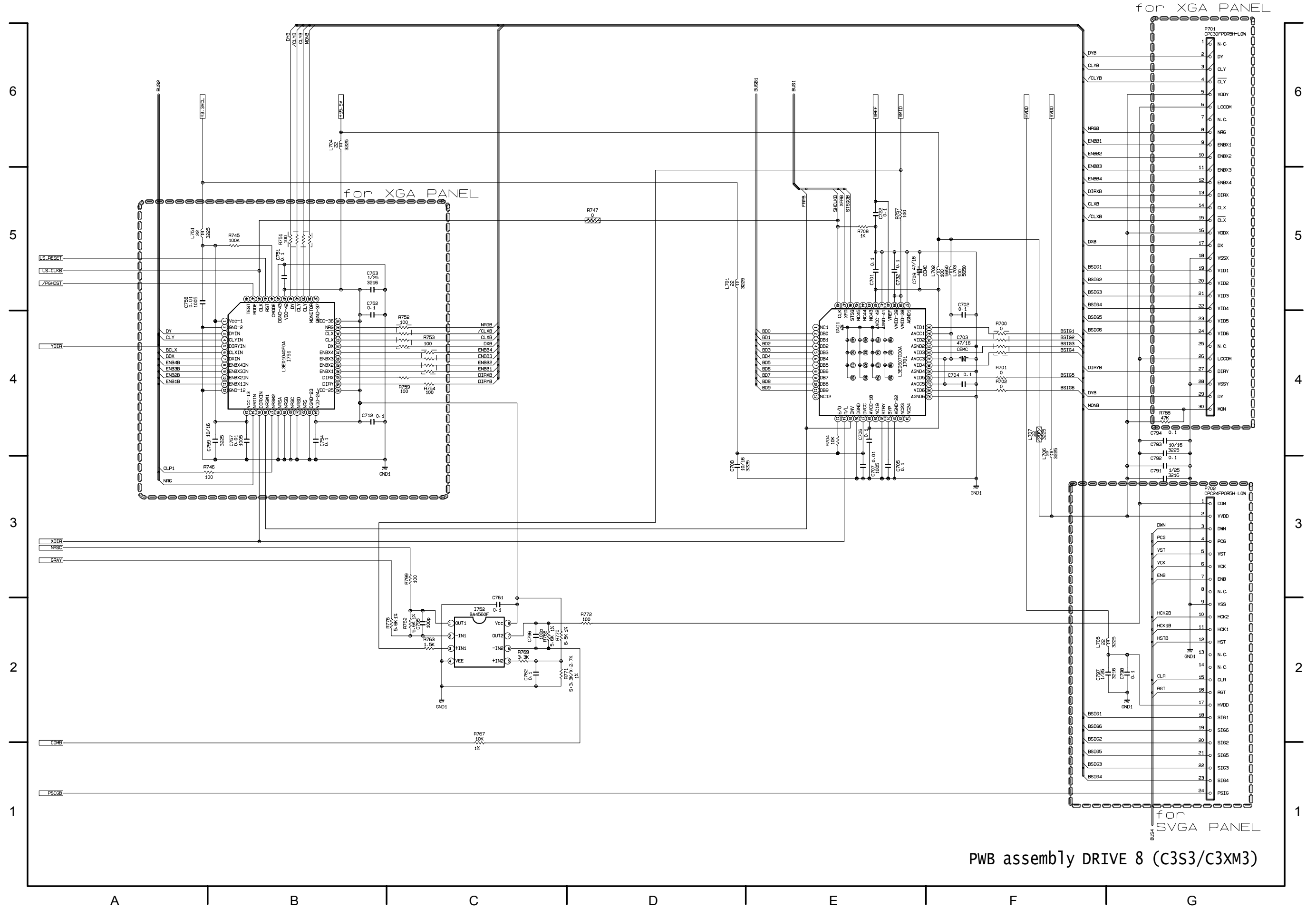
PWB assembly DRIVE 5 (C3S3/C3XM3)

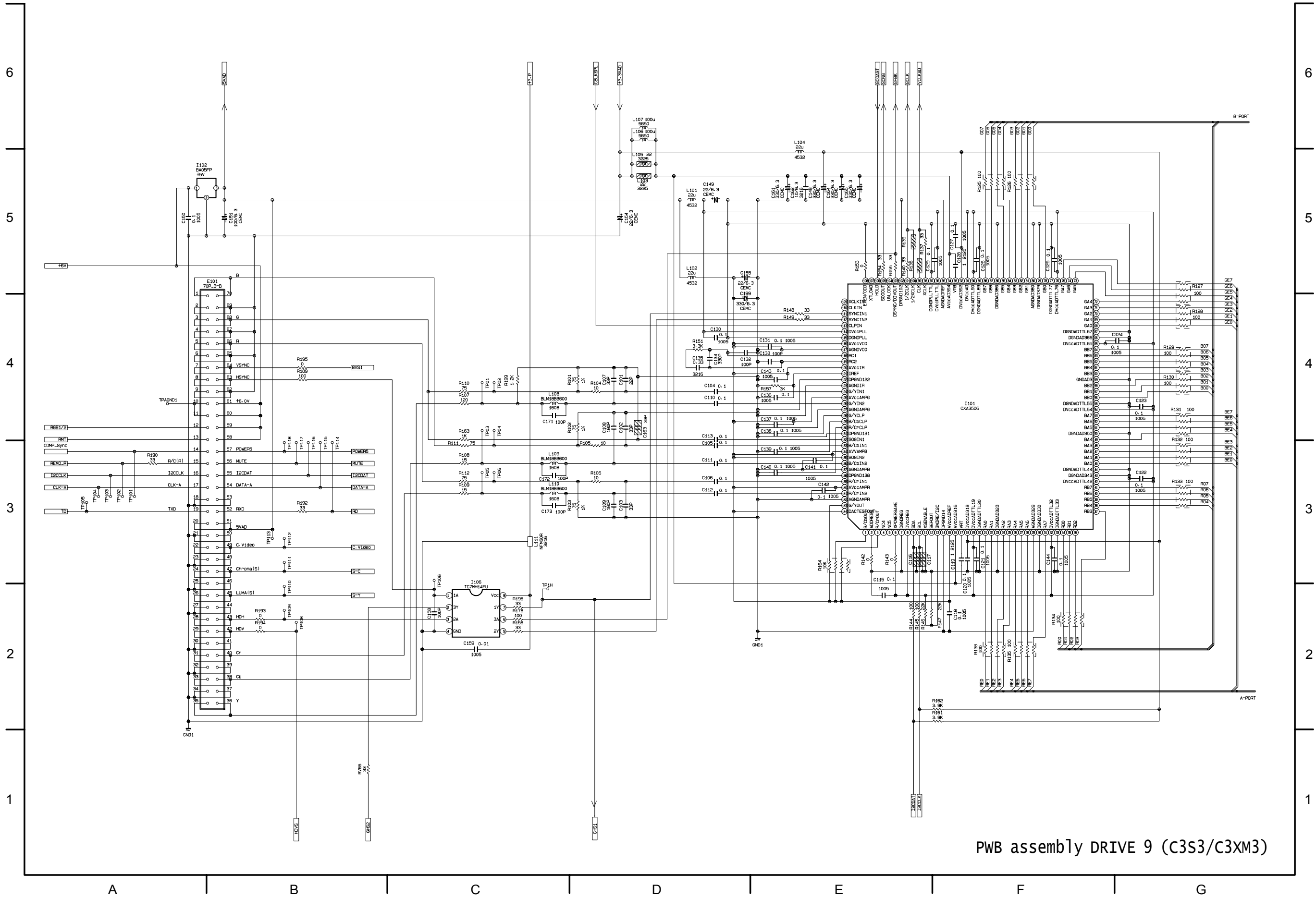


PWB assembly DRIVE 6 (C3S3/C3XM3)



PWB assembly DRIVE 7 (C3S3/C3XM3)





PWB assembly DRIVE 9 (C3S3/C3XM3)

6

5

4

3

2

1

A

B

C

D

E

F

G

6

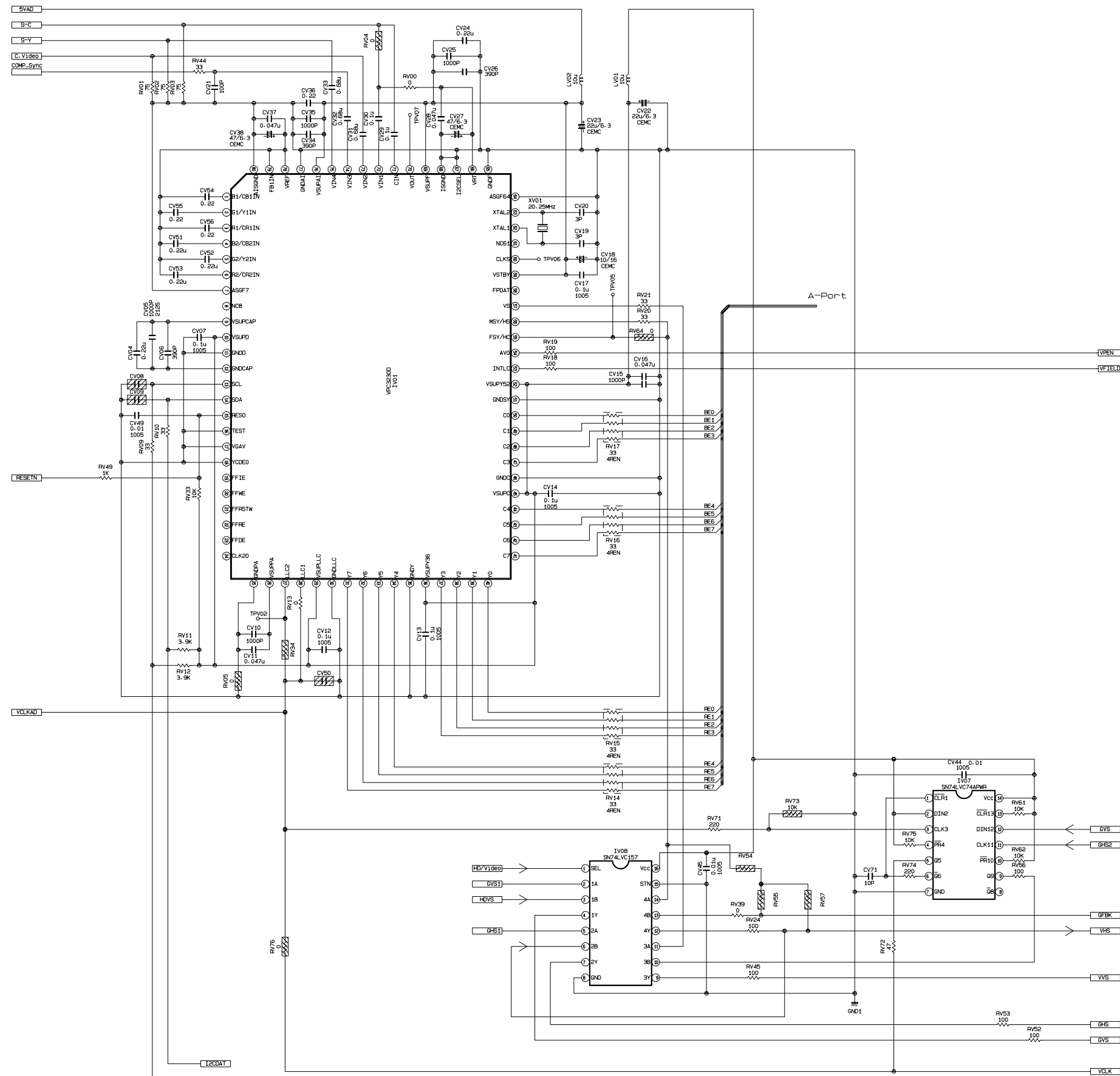
5

4

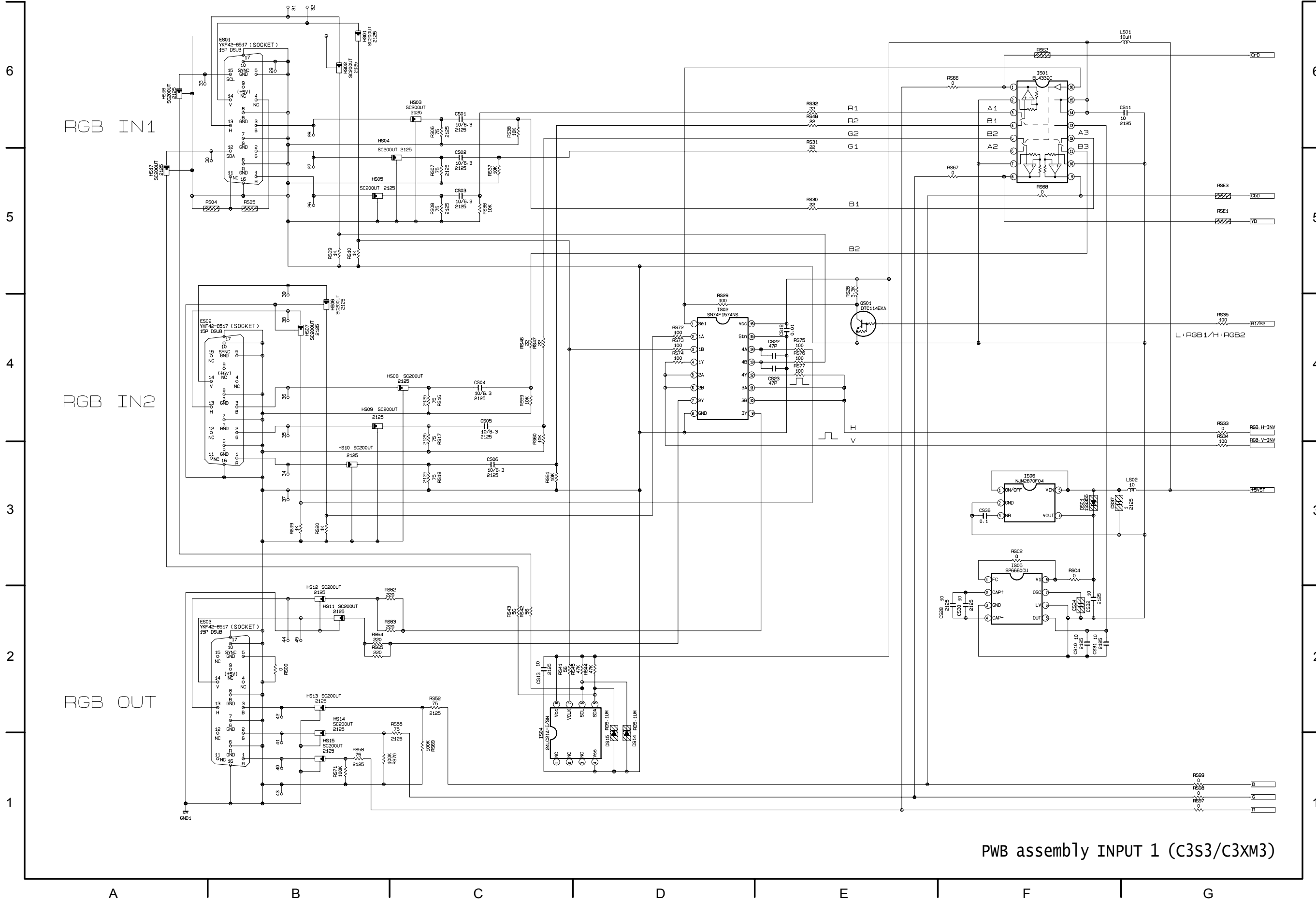
3

2

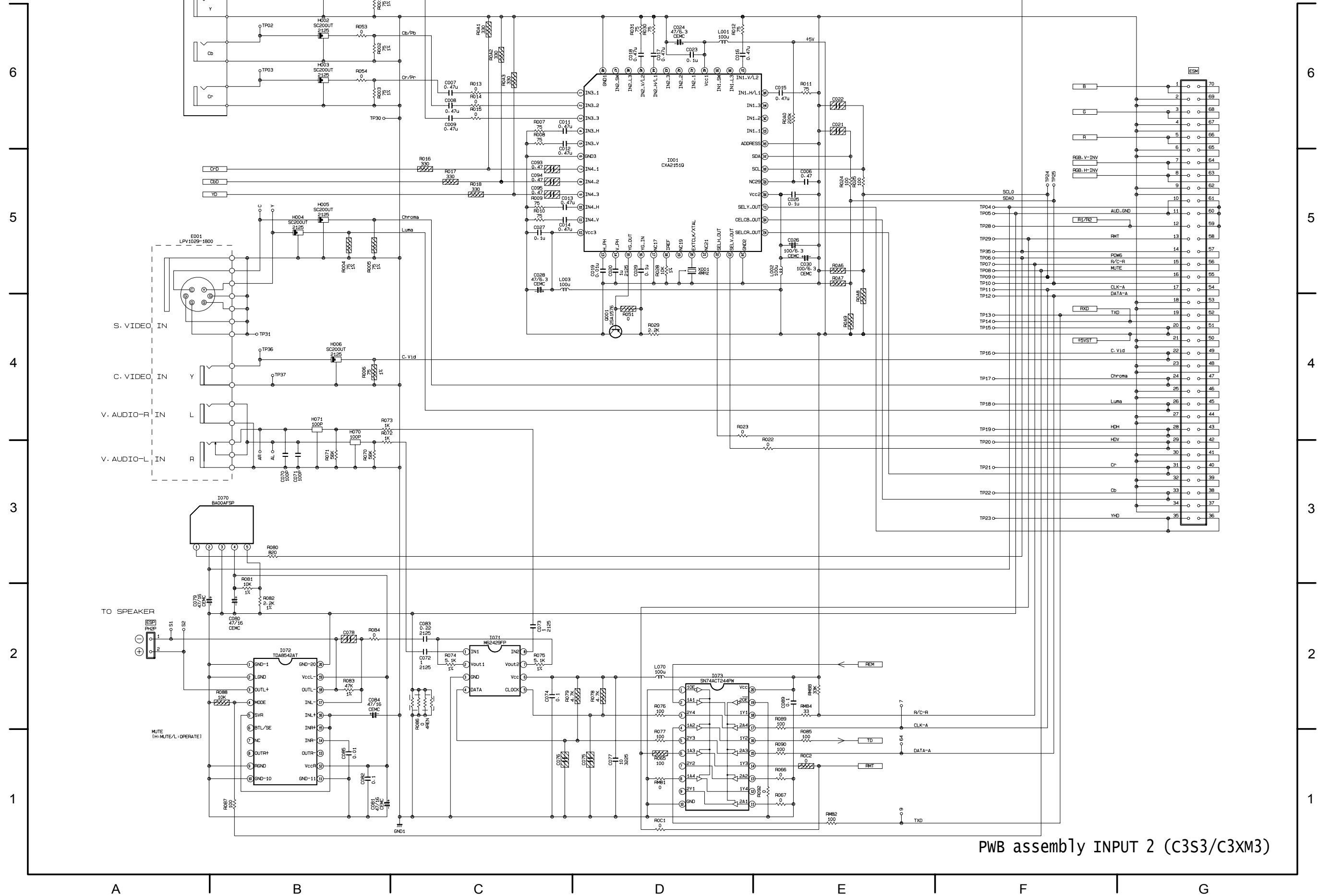
1

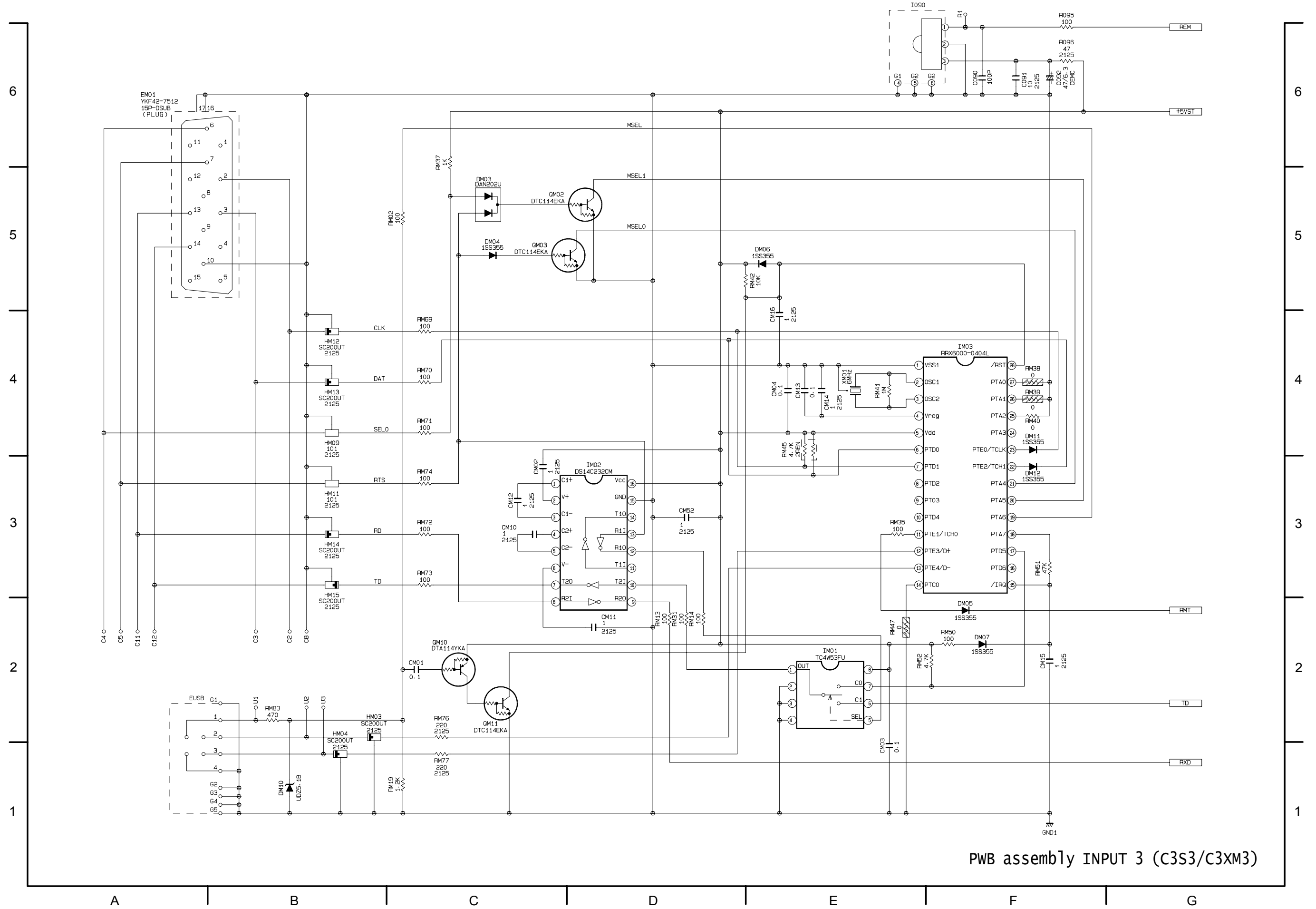


PWB assembly DRIVE 10 (C3S3/C3XM3)



PWB assembly INPUT 1 (C3S3/C3XM3)





PWB assembly INPUT 3 (C3S3/C3XM3)

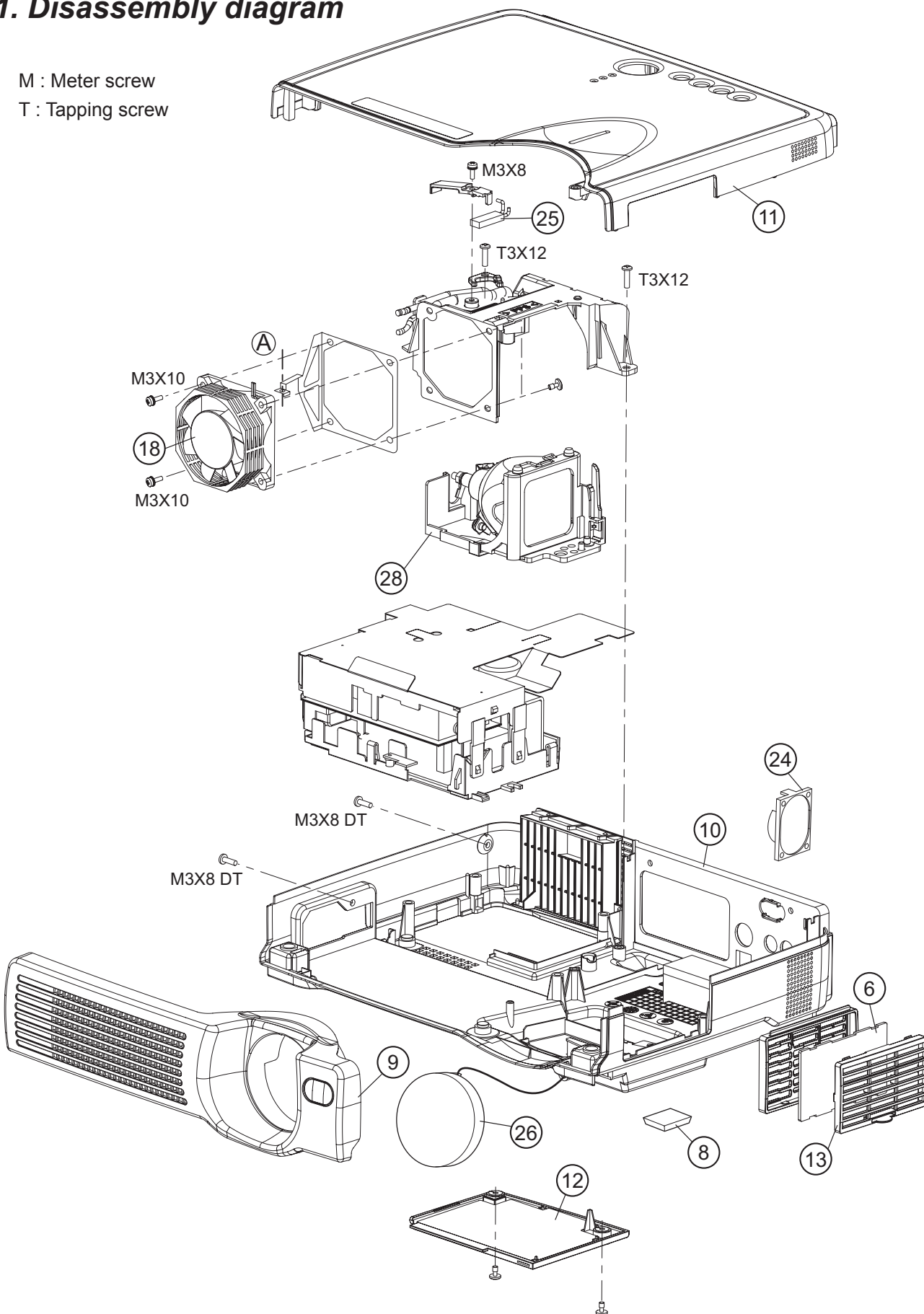
ED-S3170
ED-X3270

MEMO

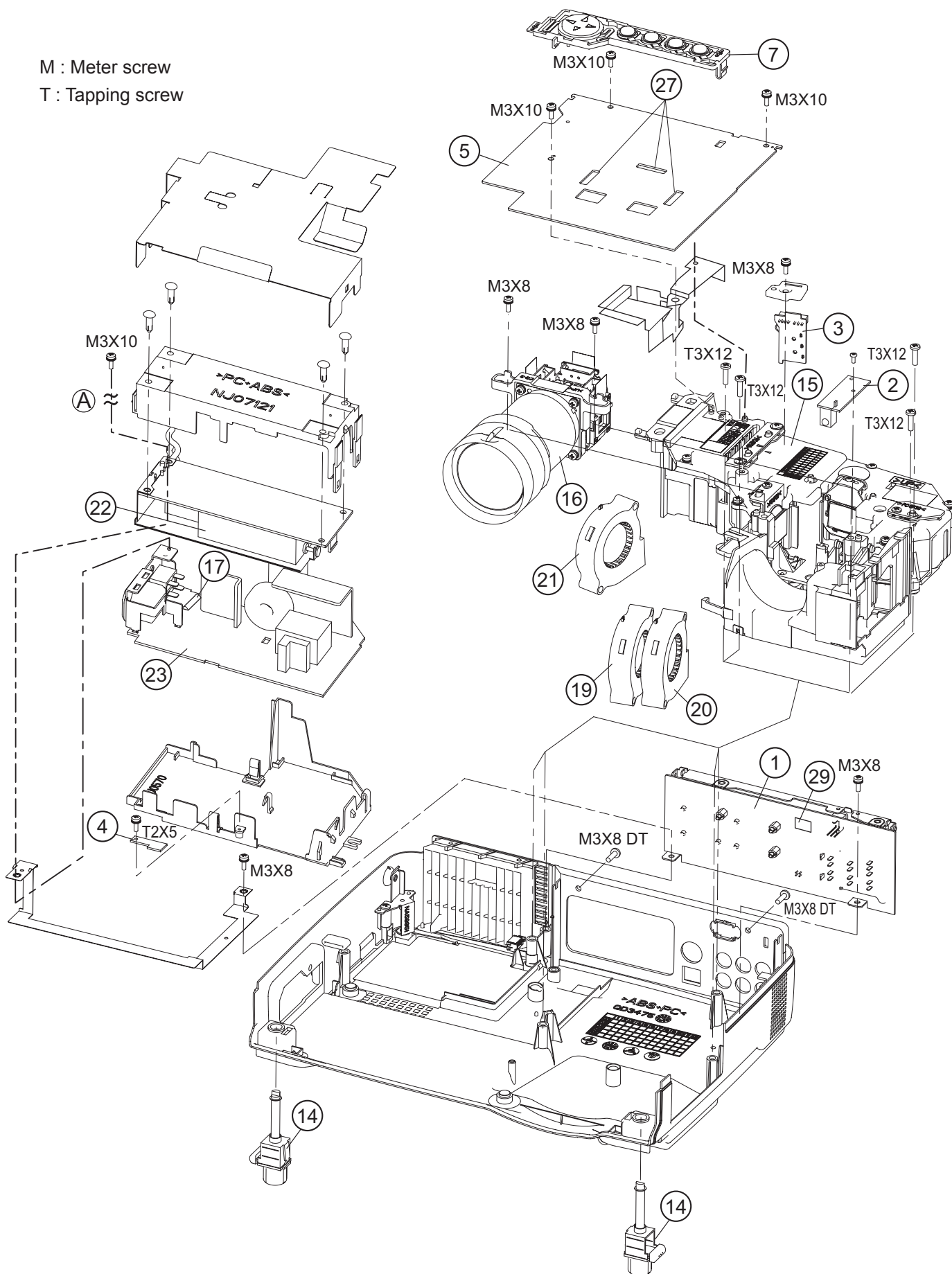
MEMO

11. Disassembly diagram

M : Meter screw
T : Tapping screw



M : Meter screw
T : Tapping screw



12. Replacement Parts list

PRODUCT SAFETY NOTE : Components marked with a \triangle have special characteristics important to safety. Before replacing any of these components, read carefully, the PRODUCT SAFETY NOTICE of this Service Manual. Don't degrade the safety of the receiver through improper servicing.

● ED-S3170

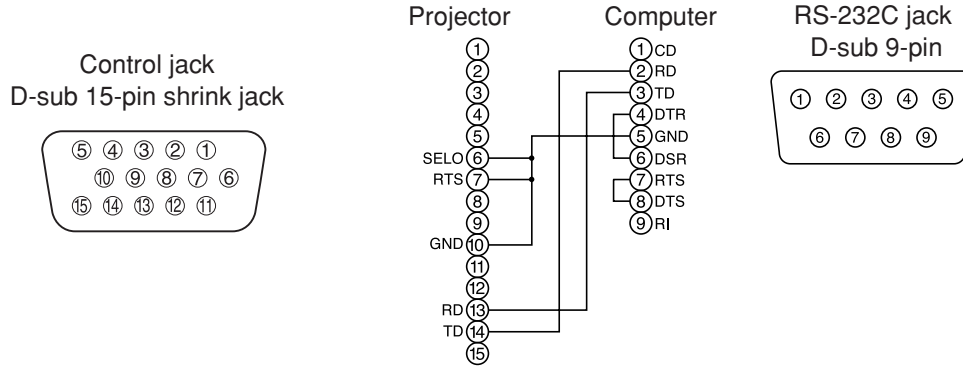
SYMBOL NO.	PARTS NO.	DESCRIPTION	SYMBOL NO.	PARTS NO.	DESCRIPTION
1	JP06012	PWB ASS'Y INPUT	\triangle 22	HA01101	POWER UNIT (BALLAST)
2	JP06013	PWB ASS'Y REMOTE CONTROL	\triangle 23	HA00911	POWER UNIT (CIRCUIT)
3	JP06014	PWB ASS'Y LIMIT SWITCH	24	GK00562	SPEAKER
4	JP06015	PWB ASS'Y SENSOR	\triangle 25	FH00209	TEMPERATURE SENSOR
5	JP06001	PWB ASS'Y DRIVE	26	QD34891	LENS CAP
6	MU01691	AIR FILTER	27	EA01035R	CPC24 LOW CONNECTOR
7	PC04817	CONTROL BUTTON ASS'Y	28	DT00511	LAMP UNIT ASS'Y
8	PE00112	RUBBER FOOT	29	CK31602R	EL4332CS
9	QD35015	FRONT BEZEL ASS'Y			
10	QD35241	BOTTOM CASE ASS'Y			
11	QD35008	UPPER CASE ASS'Y	\triangle	EV01682	POWER SUPPLY CORD(UK TYPE) W/CORE
12	QD34861	LAMP DOOR ASS'Y		EW06661	RGB-D CABLE(15PIN MALE TO 15PIN MALE)
13	QD34851	FILTER COVER		EW05941	USB CABLE
14	QJ01111	ADJUST FOOT		EW06031	3 CONDUCTOR VIDEO/AUDIO CABLE
15	UE21011	DICHROIC OPTICS UNIT		HL01891	REMOTE CONTROL UNIT
16	UX09281	LCD/LENS PRISM ASS'Y		NX05741	CLEANING TOOL FOR DUST
\triangle 17	2722447	FUSE 5A		NX05742	COTTON STICK L70
\triangle 18	GS00641	DC FAN (EXHAUST)		QR54911	INSTRUCTION MANUAL
\triangle 19	GS00414	DC FAN (INTAKE R)			
\triangle 20	GS00418	DC FAN (INTAKE G)			
\triangle 21	GS00412	DC FAN (INTAKE B)			

● ED-X3270

SYMBOL NO.	PARTS NO.	DESCRIPTION	SYMBOL NO.	PARTS NO.	DESCRIPTION
1	JP06018	PWB ASS'Y INPUT	\triangle 22	HA01101	POWER UNIT (BALLAST)
2	JP06013	PWB ASS'Y REMOTE CONTROL	\triangle 23	HA00911	POWER UNIT (CIRCUIT)
3	JP06014	PWB ASS'Y LIMIT SWITCH	24	GK00562	SPEAKER
4	JP06015	PWB ASS'Y SENSOR	\triangle 25	FH00209	TEMPERATURE SENSOR
5	JP06021	PWB ASS'Y DRIVE	26	QD34891	LENS CAP
6	MU01691	AIR FILTER	27	EA01031R	CPC30 LOW CONNECTOR
7	PC04817	CONTROL BUTTON ASS'Y	28	DT00521	LAMP UNIT ASS'Y
8	PE00112	RUBBER FOOT	29	CK31602R	EL4332CS
9	QD35015	FRONT BEZEL ASS'Y			
10	QD35241	BOTTOM CASE ASS'Y			
11	QD35782	UPPER CASE ASS'Y	\triangle	EV01682	POWER SUPPLY CORD(UK TYPE) W/CORE
12	QD34861	LAMP DOOR ASS'Y		EW06661	RGB-D CABLE(15PIN MALE TO 15PIN MALE)
13	QD34851	FILTER COVER		EW05941	USB CABLE
14	QJ01111	ADJUST FOOT		EW06031	3 CONDUCTOR VIDEO/AUDIO CABLE
15	UE21015	DICHROIC OPTICS UNIT		HL01891	REMOTE CONTROL UNIT
16	UX09285	LCD/LENS PRISM ASS'Y		NX05741	CLEANING TOOL FOR DUST
\triangle 17	2722447	FUSE 5A		NX05742	COTTON STICK L70
\triangle 18	GS00641	DC FAN (EXHAUST)		QR54911	INSTRUCTION MANUAL
\triangle 19	GS00414	DC FAN (INTAKE R)			
\triangle 20	GS00418	DC FAN (INTAKE G)			
\triangle 21	GS00412	DC FAN (INTAKE B)			

13. RS-232C communication

- (1) Turn off the projector and computer power supplies and connect with the RS-232C cable.
- (2) Turn on the computer power supply and after the computer has started up, turn on the projector power supply.



Communications setting

19200bps, 8N1

1 Protocol

Consist of header (7 bytes) + command data (6 bytes).

2 Header

BE + EF + 03 + 06 + 00 + CRC_low + CRC_high

CRC_low : Lower byte of CRC flag for command data.

CRC_high : Upper byte of CRC flag for command data.

3 Command data

Command data chart

byte_0	byte_1	byte_2	byte_3	byte_4	byte_5
Action		Type		Setting code	
low	high	low	high	low	high

Action (byte_0 - 1)

Action	Classification	Content
1	SET	Change setting to desired value.
2	GET	Read projector internal setup value.
4	INCREMENT	Increment setup value by 1.
5	DECREMENT	Decrement setup value by 1.
6	EXECUTE	Run a command.

Requesting projector status (Get command)

- (1) Send the request code Header + Command data ('02H'+ '00H'+ type (2 bytes) + '00H'+ '00H') from the computer to the projector.
- (2) The projector returns the response code '1DH'+ data (2 bytes) to the computer.

Changing the projector settings (Set command)

- (1) Send the setting code Header + Command data ('01H'+ '00H'+ type (2 bytes) + setting code (2 bytes)) from the computer to the projector.
- (2) The projector changes the setting based on the above setting code.
- (3) The projector returns the response code '06H' to the computer.

Using the projector default settings (Reset Command)

- (1) The computer sends the default setting code Header + Command data ('06H'+ '00H'+ type (2 bytes) + '00H'+ '00H') to the projector.
- (2) The projector changes the specified setting to the default value.
- (3) The projector returns the response code '06H' to the computer.

Increasing the projector setting value (Increment command)

- (1) The computer sends the increment code Header + Command data ('04H'+ '00H'+ type (2 bytes) + '00H'+ '00H') to the projector.
- (2) The projector increases the setting value on the above setting code.
- (3) The projector returns the response code '06H' to the computer.

Decreasing the projector setting value (Decrement command)

- (1) The computer sends the decrement code Header + Command data ('05H'+ '00H'+ type (2 bytes) + '00H'+ '00H') to the projector.
- (2) The projector decreases the setting value on the above setting code.
- (3) The projector returns the response code '06H' to the computer.

When a command sent by the projector cannot be understood by the computer

When the command sent by the projector cannot be understood, the error command '15H' is returned by the computer. Some times, the projector ignores RS-232C commands during other works. If the error command '15H' is returned, please send the same command again.

When data sent by the projector cannot be practice

When the command sent by the projector cannot be practiced, the the error code '1cH' + 'xxxxH' is returned.

When the data length is greater than indicated by the data length code, the projector will ignore the excess data code.

Conversely, when the data length is shorter than indicated by the data length code, an error code will be returned to the projector.

- NOTE** • Operation cannot be guaranteed when the projector receives an undefined command or data.
- Provide an interval of at least 40ms between the response code and any other code.
 - The projector outputs test data when the power supply is switched ON, and when the lamp is lit. Ignore this data.
 - Commands are not accepted during warm-up.

Command data chart

Names	Operation type	Header				Command data		
					CRC	Action	Type	Setting code
Blank Color	Set	Blue	BE EF	03 06	00 CB D3	01 00	00 30	03 00
		White	BE EF	03 06	00 6B D0	01 00	00 30	05 00
		Black	BE EF	03 06	00 9B D0	01 00	00 30	06 00
		MyScreen	BE EF	03 06	00 FB CA	01 00	00 30	20 00
		ORIGINAL	BE EF	03 06	00 FB E2	01 00	00 30	40 00
	Get	BE EF	03 06	00 08 D3	02 00	00 30	00 00	
Mirror	Set	Normal	BE EF	03 06	00 C7 D2	01 00	01 30	00 00
		H Inverse	BE EF	03 06	00 57 D3	01 00	01 30	01 00
		V Inverse	BE EF	03 06	00 A7 D3	01 00	01 30	02 00
		H&V Inverse	BE EF	03 06	00 37 D2	01 00	01 30	03 00
	Get	BE EF	03 06	00 F4 D2	02 00	01 30	00 00	
Freeze	Set	Normal	BE EF	03 06	00 83 D2	01 00	02 30	00 00
		Freeze	BE EF	03 06	00 13 D3	01 00	02 30	01 00
	Get	BE EF	03 06	00 B0 D2	02 00	02 30	00 00	
Startup	Set	ORIGINAL	BE EF	03 06	00 0B D2	01 00	04 30	00 00
		OFF	BE EF	03 06	00 9B D3	01 00	04 30	01 00
		MyScreen	BE EF	03 06	00 CB CB	01 00	04 30	20 00
	Get	BE EF	03 06	00 38 D2	02 00	04 30	00 00	
Language	Set	English	BE EF	03 06	00 F7 D3	01 00	05 30	00 00
		Français	BE EF	03 06	00 67 D2	01 00	05 30	01 00
		Deutsch	BE EF	03 06	00 97 D2	01 00	05 30	02 00
		Español	BE EF	03 06	00 07 D3	01 00	05 30	03 00
		Italiano	BE EF	03 06	00 37 D1	01 00	05 30	04 00
		Norsk	BE EF	03 06	00 A7 D0	01 00	05 30	05 00
		Nederlands	BE EF	03 06	00 57 D0	01 00	05 30	06 00
		Português	BE EF	03 06	00 C7 D1	01 00	05 30	07 00
		日本語	BE EF	03 06	00 37 D4	01 00	05 30	08 00
		中文	BE EF	03 06	00 A7 D5	01 00	05 30	09 00
	한글	BE EF	03 06	00 57 D5	01 00	05 30	0A 00	
Get	BE EF	03 06	00 C4 D3	02 00	05 30	00 00		
Magnify	Get	BE EF	03 06	00 7C D2	02 00	07 30	00 00	
	Increment	BE EF	03 06	00 1A D2	04 00	07 30	00 00	
	Decrement	BE EF	03 06	00 CB D3	05 00	07 30	00 00	
Auto off	Get	BE EF	03 06	00 08 86	02 00	10 31	00 00	
	Increment	BE EF	03 06	00 6E 86	04 00	10 31	00 00	
	Decrement	BE EF	03 06	00 BF 87	05 00	10 31	00 00	
Brightness Reset	Execute	BE EF	03 06	00 58 D3	06 00	00 70	00 00	
Contrast Reset	Execute	BE EF	03 06	00 A4 D2	06 00	01 70	00 00	
V.Position Reset	Execute	BE EF	03 06	00 E0 D2	06 00	02 70	00 00	

Command data chart

Names	Operation type		Header			Command data		
						CRC	Action	Type
H.Position Reset	Execute		BE EF	03 06 00	IC D3	06 00	03 70	00 00
H.Size Reset	Execute		BE EF	03 06 00	68 D2	06 00	04 70	00 00
Color Balance R Reset	Execute		BE EF	03 06 00	94 D3	06 00	05 70	00 00
Color Balance B Reset	Execute		BE EF	03 06 00	D0 D3	06 00	06 70	00 00
Sharpness Reset	Execute		BE EF	03 06 00	C4 D0	06 00	09 70	00 00
Color Reset	Execute		BE EF	03 06 00	80 D0	06 00	0A 70	00 00
Tint Reset	Execute		BE EF	03 06 00	7C D1	06 00	0B 70	00 00
Keystone_V Reset	Execute		BE EF	03 06 00	08 D0	06 00	0C 70	00 00
Keystone_H Reset	Execute		BE EF	03 06 00	98 D8	06 00	20 70	00 00
Auto Adjust	Execute		BE EF	03 06 00	91 D0	06 00	0A 20	00 00
Lamp Time Reset	Execute		BE EF	03 06 00	58 DC	06 00	30 70	00 00
Filter Time Reset	Execute		BE EF	03 06 00	98 C6	06 00	40 70	00 00
Blank on/off	Set	off	BE EF	03 06 00	FB D8	01 00	20 30	00 00
		on	BE EF	03 06 00	6B D9	01 00	20 30	01 00
	Get		BE EF	03 06 00	C8 D8	02 00	20 30	00 00
Error Status	Get		BE EF	03 06 00	D9 D8	02 00	20 60	00 00
			(Example of Return) 00 00 01 00 02 00 03 00 (Normal) (Cover-error) (Fan-error) (Lamp-error) 04 00 05 00 06 00 07 00 08 00 (Temp-error) (Air flow-error) (Lamp-Time-over) (Cool-error) (Filter-Error)					
Power	Set	OFF	BE EF	03 06 00	2A D3	01 00	00 60	00 00
		ON	BE EF	03 06 00	BA D2	01 00	00 60	01 00
	Get		BE EF	03 06 00	19 D3	02 00	00 60	00 00
Input Source	Set	RGB1	BE EF	03 06 00	FE D2	01 00	00 20	00 00
		RGB2	BE EF	03 06 00	3E D0	01 00	00 20	04 00
		Video	BE EF	03 06 00	6E D3	01 00	00 20	01 00
		SVideo	BE EF	03 06 00	9E D3	01 00	00 20	02 00
		Component	BE EF	03 06 00	AE D1	01 00	00 20	05 00
	Get		BE EF	03 06 00	CD D2	02 00	00 20	00 00
Volume	Get		BE EF	03 06 00	31 D3	02 00	01 20	00 00
	Increment		BE EF	03 06 00	57 D3	04 00	01 20	00 00
	Decrement		BE EF	03 06 00	86 D2	05 00	01 20	00 00
Mute	Set	Normal	BE EF	03 06 00	46 D3	01 00	02 20	00 00
		Mute	BE EF	03 06 00	D6 D2	01 00	02 20	01 00
	Get		BE EF	03 06 00	75 D3	02 00	02 20	00 00
Brightness	Get		BE EF	03 06 00	89 D2	02 00	03 20	00 00
	Increment		BE EF	03 06 00	EF D2	04 00	03 20	00 00
	Decrement		BE EF	03 06 00	3E D3	05 00	03 20	00 00

Command data chart

Names	Operation type		Header			Command data		
						CRC	Action	Type
Contrast	Get		BE EF	03 06 00	FD D3	02 00	04 20	00 00
	Increment		BE EF	03 06 00	9B D3	04 00	04 20	00 00
	Decrement		BE EF	03 06 00	4A D2	05 00	04 20	00 00
Color Balance R	Get		BE EF	03 06 00	01 D2	02 00	05 20	00 00
	Increment		BE EF	03 06 00	67 D2	04 00	05 20	00 00
	Decrement		BE EF	03 06 00	B6 D3	05 00	05 20	00 00
Color Balance B	Get		BE EF	03 06 00	45 D2	02 00	06 20	00 00
	Increment		BE EF	03 06 00	23 D2	04 00	06 20	00 00
	Decrement		BE EF	03 06 00	F2 D3	05 00	06 20	00 00
Keystone_V	Get		BE EF	03 06 00	B9 D3	02 00	07 20	00 00
	Increment		BE EF	03 06 00	DF D3	04 00	07 20	00 00
	Decrement		BE EF	03 06 00	0E D2	05 00	07 20	00 00
Keystone_H	Get		BE EF	03 06 00	E9 D0	02 00	0B 20	00 00
	Increment		BE EF	03 06 00	8F D0	04 00	0B 20	00 00
	Decrement		BE EF	03 06 00	5E D1	05 00	0B 20	00 00
Aspect	Set	4:3	BE EF	03 06 00	9E D0	01 00	08 20	00 00
		16:9	BE EF	03 06 00	0E D1	01 00	08 20	01 00
		Small	BE EF	03 06 00	FE D1	01 00	08 20	02 00
	Get		BE EF	03 06 00	AD D0	02 00	08 20	00 00
Picture Position at 16 : 9 or Small	Set	Default	BE EF	03 06 00	62 D1	01 00	09 20	00 00
		Bottom	BE EF	03 06 00	F2 D0	01 00	09 20	01 00
		Top	BE EF	03 06 00	02 D0	01 00	09 20	02 00
	Get		BE EF	03 06 00	51 D1	02 00	09 20	00 00
V.Position	Get		BE EF	03 06 00	0D 83	02 00	00 21	00 00
	Increment		BE EF	03 06 00	6B 83	04 00	00 21	00 00
	Decrement		BE EF	03 06 00	BA 82	05 00	00 21	00 00
H.Position	Get		BE EF	03 06 00	F1 82	02 00	01 21	00 00
	Increment		BE EF	03 06 00	97 82	04 00	01 21	00 00
	Decrement		BE EF	03 06 00	46 83	05 00	01 21	00 00
H.Size	Get		BE EF	03 06 00	B5 82	02 00	02 21	00 00
	Increment		BE EF	03 06 00	D3 82	04 00	02 21	00 00
	Decrement		BE EF	03 06 00	02 83	05 00	02 21	00 00
H.Phase	Get		BE EF	03 06 00	49 83	02 00	03 21	00 00
	Increment		BE EF	03 06 00	2F 83	04 00	03 21	00 00
	Decrement		BE EF	03 06 00	FE 82	05 00	03 21	00 00
Sharpness	Get		BE EF	03 06 00	F1 72	02 00	01 22	00 00
	Increment		BE EF	03 06 00	97 72	04 00	01 22	00 00
	Decrement		BE EF	03 06 00	46 73	05 00	01 22	00 00
Color	Get		BE EF	03 06 00	B5 72	02 00	02 22	00 00
	Increment		BE EF	03 06 00	D3 72	04 00	02 22	00 00
	Decrement		BE EF	03 06 00	02 73	05 00	02 22	00 00

Command data chart

Names	Operation type	Header				Command data			
					CRC	Action	Type	Setting code	
Tint	Get	BE EF	03	06 00	49 73	02 00	03 22	00 00	
	Increment	BE EF	03	06 00	2F 73	04 00	03 22	00 00	
	Decrement	BE EF	03	06 00	FE 72	05 00	03 22	00 00	
Video Format	Set	Auto	BE EF	03	06 00	9E 75	01 00	00 22	0A 00
		NTSC	BE EF	03	06 00	FE 71	01 00	00 22	04 00
		PAL	BE EF	03	06 00	6E 70	01 00	00 22	05 00
		SECAM	BE EF	03	06 00	6E 75	01 00	00 22	09 00
		NTSC 4.43	BE EF	03	06 00	5E 72	01 00	00 22	02 00
		M-PAL	BE EF	03	06 00	FE 74	01 00	00 22	08 00
	N-PAL	BE EF	03	06 00	0E 71	01 00	00 22	07 00	
	Get	BE EF	03	06 00	0D 73	02 00	00 22	00 00	
HDTV	Set	1080i	BE EF	03	06 00	F2 73	01 00	05 22	00 00
		1035i	BE EF	03	06 00	62 72	01 00	05 22	01 00
	Get	BE EF	03	06 00	C1 73	02 00	05 22	00 00	
Sync on G	Set	off	BE EF	03	06 00	CB D0	01 00	08 30	01 00
		on	BE EF	03	06 00	5B D1	01 00	08 30	00 00
	Get	BE EF	03	06 00	68 D1	02 00	08 30	00 00	
WHISPER	Set	NORMAL	BE EF	03	06 00	3B 23	01 00	00 33	00 00
		WHISPER	BE EF	03	06 00	AB 22	01 00	00 33	01 00
	Get	BE EF	03	06 00	08 23	02 00	00 33	00 00	
GAMMA	Set	NORMAL	BE EF	03	06 00	C7 F0	01 00	A1 30	00 00
		CINEMA	BE EF	03	06 00	57 F1	01 00	A1 30	01 00
		DYNAMIC	BE EF	03	06 00	A7 F1	01 00	A1 30	02 00
	Get	BE EF	03	06 00	F4 F0	02 00	A1 30	00 00	
Over Scan	Set	Large	BE EF	03	06 00	C2 71	01 00	09 22	02 00
		Middle	BE EF	03	06 00	32 71	01 00	09 22	01 00
		Small	BE EF	03	06 00	A2 70	01 00	09 22	00 00
	Get	BE EF	03	06 00	91 70	02 00	09 22	00 00	
MyScreen Size	Set	Full	BE EF	03	06 00	43 D6	01 00	12 30	00 00
		X1	BE EF	03	06 00	D3 D7	01 00	12 30	01 00
	Get	BE EF	03	06 00	70 D6	02 00	12 30	00 00	
MyScreen Lock	Set	off	BE EF	03	06 00	3B EF	01 00	C0 30	00 00
		on	BE EF	03	06 00	AB EE	01 00	C0 30	01 00
	Get	BE EF	03	06 00	08 EF	02 00	C0 30	00 00	
Lamp Time	Get	BE EF	03	06 00	C2 FF	02 00	90 10	00 00	
Filter Time	Get	BE EF	03	06 00	C2 F0	02 00	A0 10	00 00	

HITACHI

ED-S3170
ED-X3270

YK No.0527E

Digital Media Division