

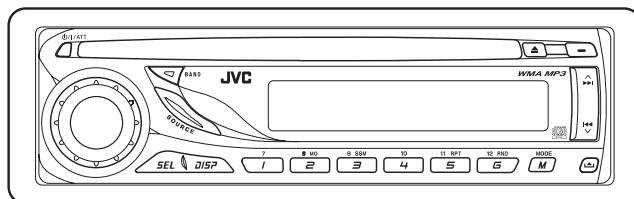
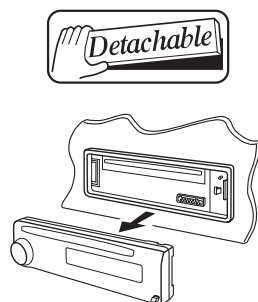
# JVC

## SCHEMATIC DIAGRAMS

### CD RECEIVER

# KD-AR270, KD-G220, KD-G227 KD-G321, KD-G322, KD-G323 KD-G324, KD-G325, KD-G326 KD-G327

CD-ROM No.SML200512



WMA MP3



Lead free solder used in the board (material : Sn-Ag-Cu, melting point : 219 Centigrade)

KD-AR270, KD-G220

Area suffix

J ----- Northern America

KD-G227, KD-G327

Area suffix

EE ----- Russian Federation

KD-G321, KD-G322

Area suffix

E ----- Southern Europe  
EX ----- Northern Europe  
EY ----- Eastern Europe  
EU ----- Turkey

KD-G323, KD-G324

Area suffix

UI ----- India

KD-G325, KD-G326

Area suffix

UT ----- Taiwan  
UH ----- Thailand  
UN ----- Indonesia  
U ----- Other Areas

### Contents

Block diagram (For KD-AR270, KD-G220, KD-G227, KD-G323, KD-G324, KD-G325, KD-G326) .....	2-1
Standard schematic diagrams (For KD-AR270, KD-G220, KD-G323, KD-G324, KD-G325, KD-G326) .....	2-3
Standard schematic diagrams (For KD-G227) .....	2-11
Block diagram (For KD-G321, KD-G322, KD-G327) .....	2-19
Standard schematic diagrams (For KD-G321, KD-G322) .....	2-21
Standard schematic diagrams (For KD-G327) .....	2-29
Printed circuit boards .....	2-37 to 39

# Safety precaution

 **CAUTION** Burrs formed during molding may be left over on some parts of the chassis. Therefore, pay attention to such burrs in the case of performing repair of this system.

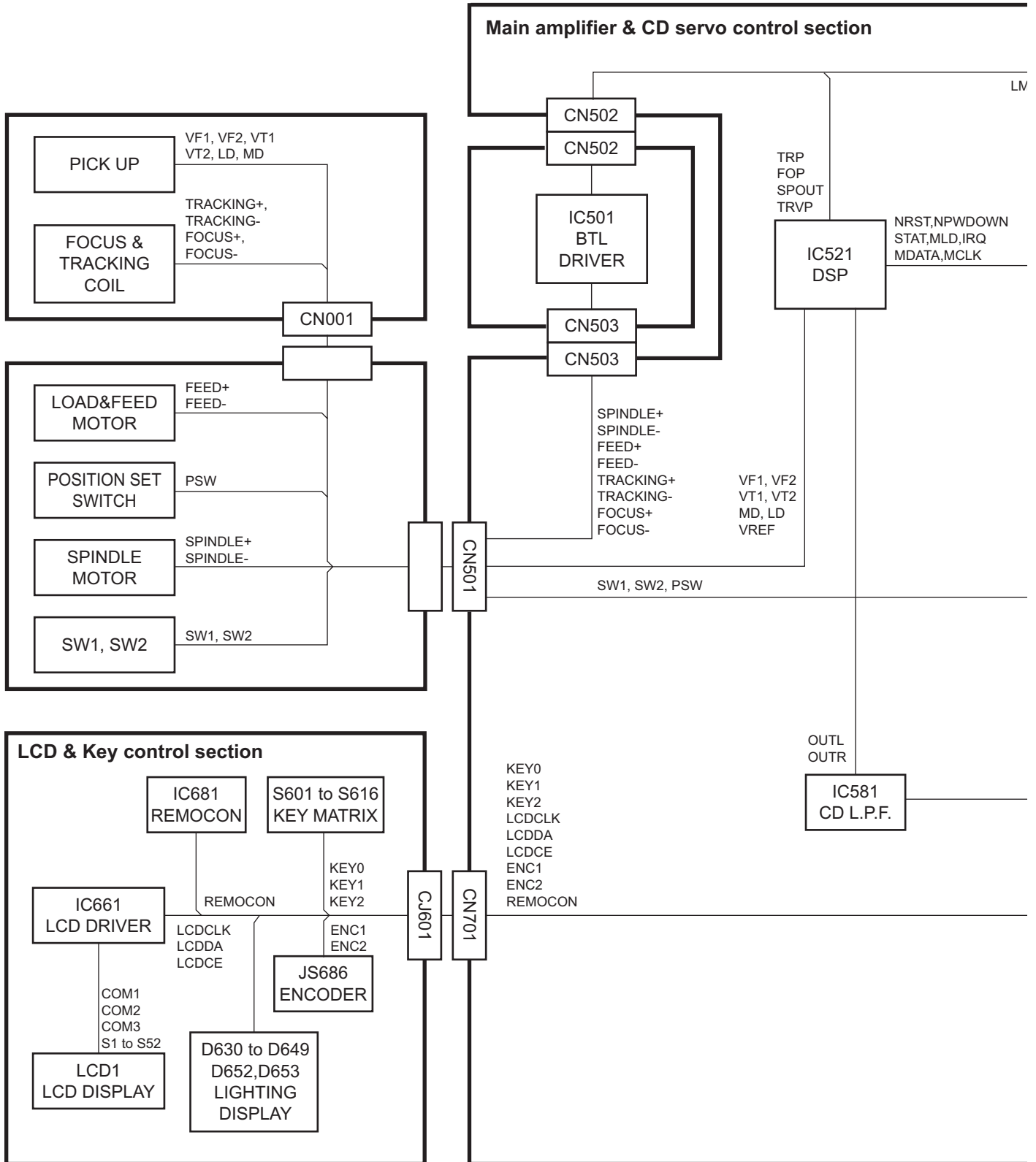
 **CAUTION** Please use enough caution not to see the beam directly or touch it in case of an adjustment or operation check.

## Difference point

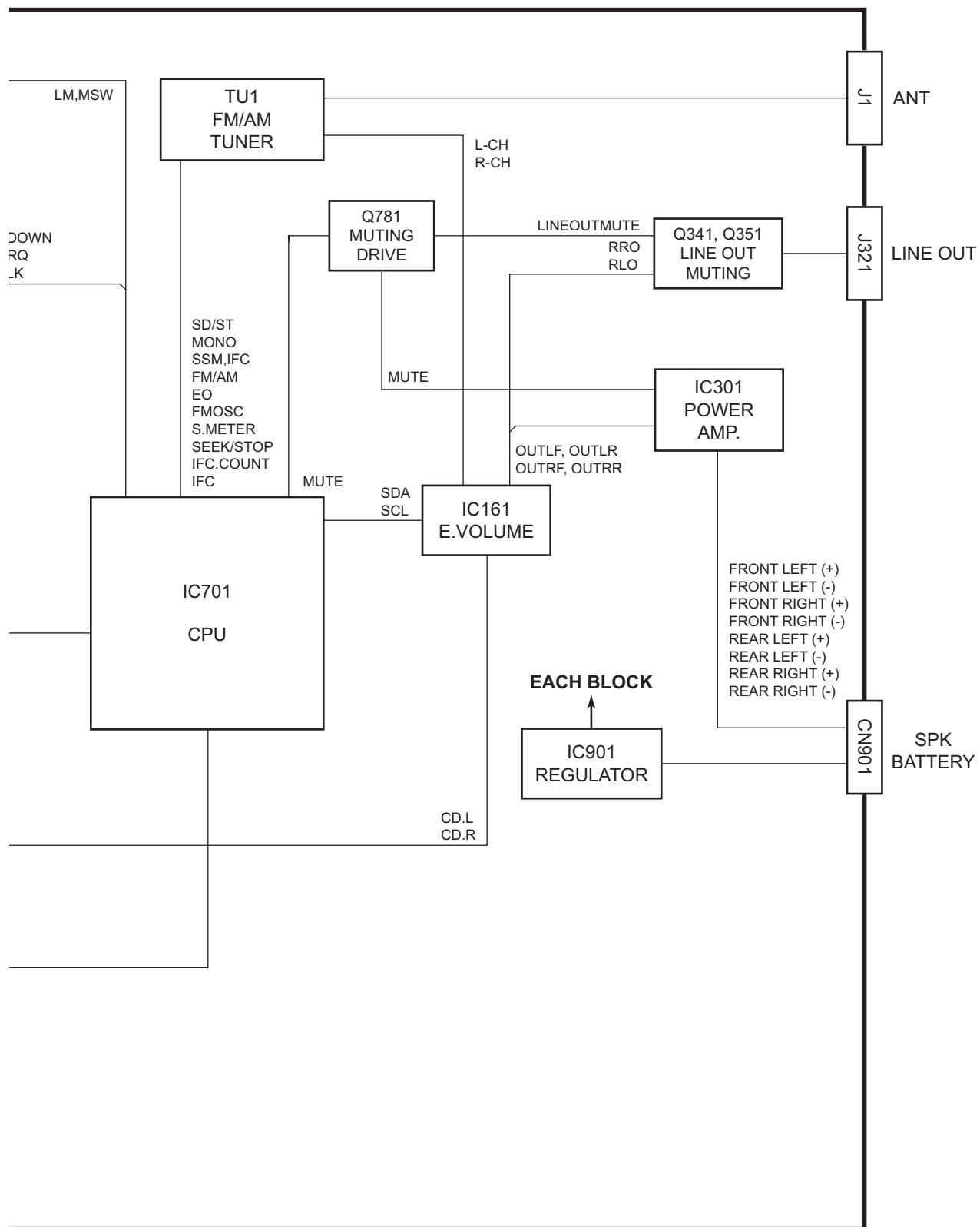
	KD-AR270 KD-G220,KD-G227	KD-G321 KD-G322	KD-G323,KD-G324 KD-G325,KD-G326	KD-G327
Remote ready	YES	NO	YES	YES
Steering remote ready	NO	YES	NO	NO
Power antenna	NO	NO	YES	NO
Telephone Muting	NO	YES	NO	YES

< MEMO >

# Block diagram (For KD-AR270,KD-G220,KD-G227,KD-G323,KD-G324,KD-G325,KD-G3)



(D-G326)



# Standard schematic diagrams (For KD-AR270, KD-G220, KD-G323, KD-G324, I

## ■ Main amplifier section

### \* REMARK

#### 1. VERSION SETTING

MODEL	KD-AR270J KD-G220J	KD-G323UJ KD-G324UJ	KD-G325U SERIES KD-G326U SERIES
D701	USE	USE	NO USE
D702	USE	NO USE	NO USE
D703	USE	USE	NO USE
D704	USE	NO USE	NO USE

#### 2. TUNER

MODEL	KD-AR270J KD-G220J	KD-G323UJ KD-G324UJ KD-G325U SERIES KD-G326U SERIES
C91-C91	0.022	0.012
C92-C92	0.0068	0.0056
R91-R91	3.3K	2.7K
R92-R92	3.3K	3.3K
OK	NOT USED	USED
R16	0 Ohm	100k
C11	0.01	330p

#### 3. POWER ANTENNA

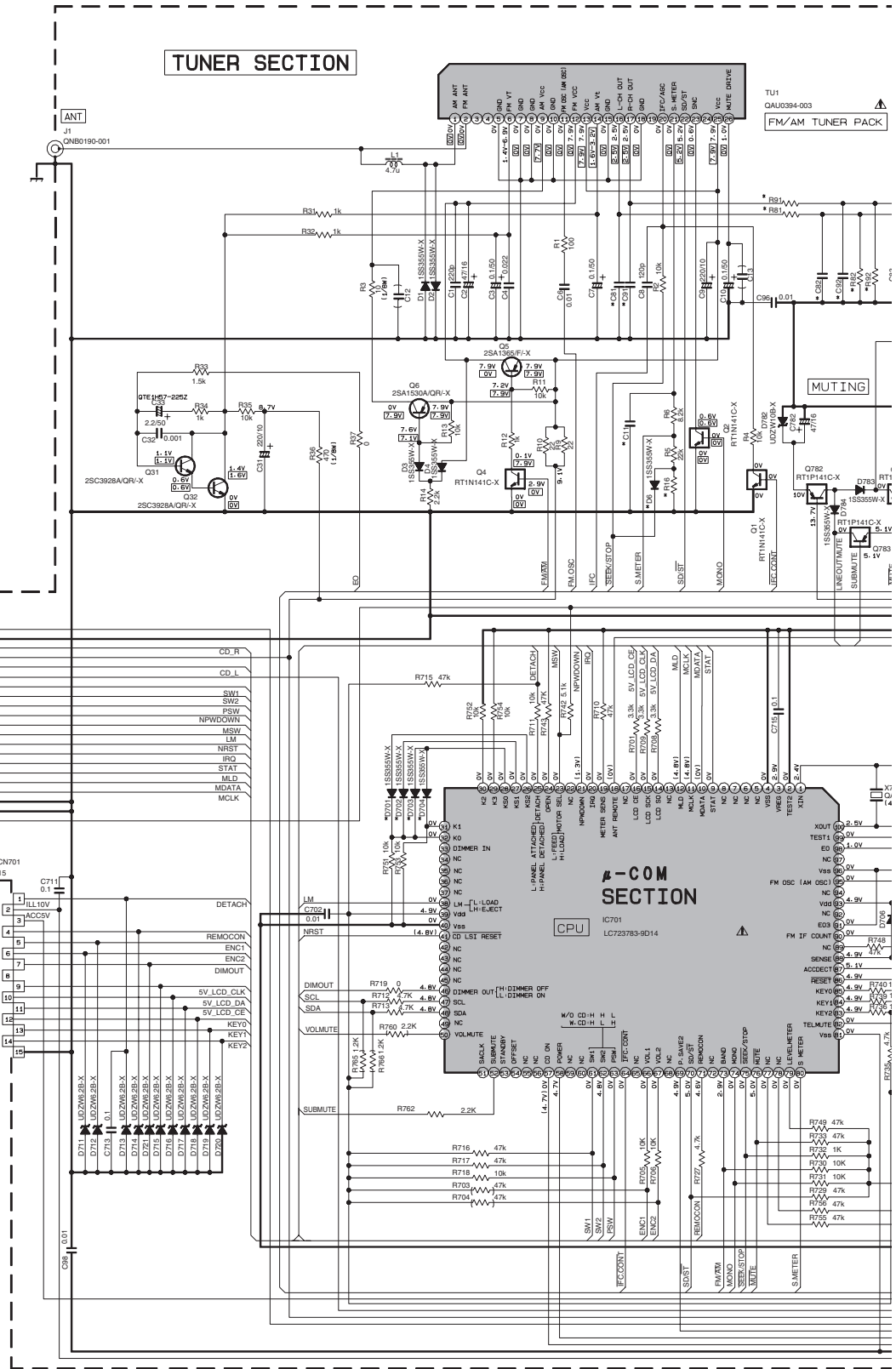
MODEL	KD-AR270J KD-G220J	KD-G323UJ KD-G324UJ KD-G325U SERIES KD-G326U SERIES
C913-C919 D916-D917 R919	NO USE	USE

#### 4. POWER CORD

MODEL	KD-AR270J KD-G220J	KD-G323UJ KD-G324UJ KD-G325U SERIES KD-G326U SERIES
PART NO.	QAM0013-008	QAM0390-004

#### 5. POWER LC

MODEL	KD-AR270J KD-G323UJ KD-G324UJ KD-G325U SERIES KD-G326U SERIES	KD-G220J
IC301	LA47301	LA4743K
C901	2700/16 GE20769-278	2200/16 GE20849-288
R166-R167, R176-R177	0 Ohm (1/5W)	27K (1/5W)
C305-C306, C307-C308 B315	NO USE	USE
C301	0.22/50	3.3/50
R301	1.0K	1.5K
C311	0.47(1F) QYV91HJ-4742	22/16
R302	10k	47k



TO SHEET 2

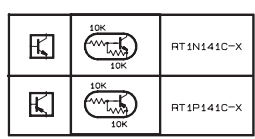
TO CJ601 (SHEET 4)

### A-COM SECTION

CPU IC701 LC723783-9D14

- NOTES:
- VOLTAGE ARE DC-MEASURED WITH A DIGITAL VOLTMETER WITHOUT INPUT SIGNAL CONDITION. ---FM(AM MODE). ( ) CD MODE!
  - UNLESS OTHERWISE SPECIFIED. ALL RESISTOR ARE 1/5W ±5%METAL GLAZE RESISTOR. ALL CAPACITOR ARE 50V OR 25V CERAMIC CAPACITOR. ALL RESISTANCE VALUES ARE IN OHM. ALL CAPACITANCE VALUES ARE IN UF (p=PF). ALL INDUCTANCE VALUES ARE IN UH. ALL E. CAPACITORS ARE SHOWN IN THE FORM OF CAPACITANCE(UF)/RATED VOLTAGE(V)

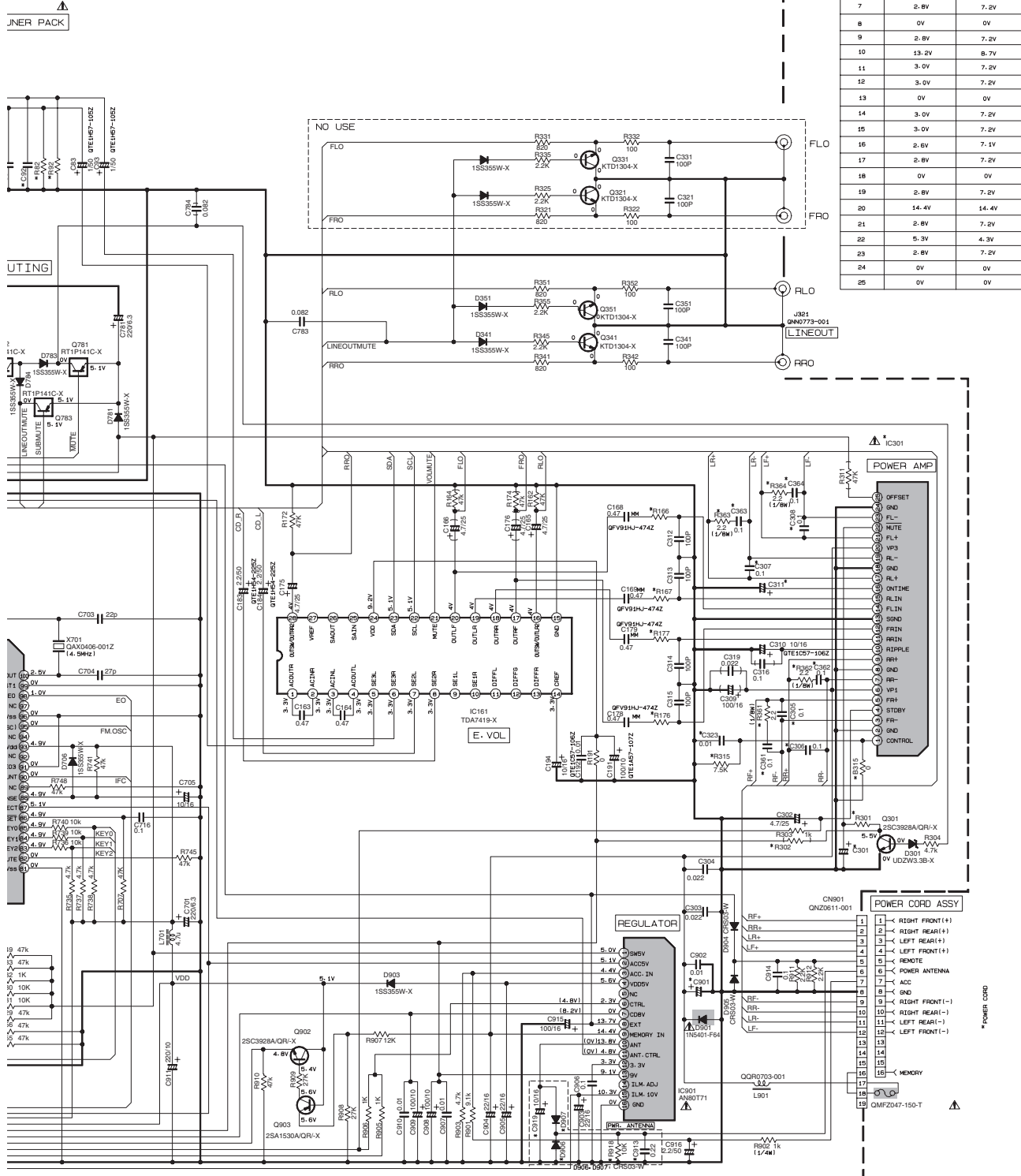
⚠ Parts are safety assurance parts. When replacing those parts make sure to use the specified one.



i324, KD-G325, KD-G326)

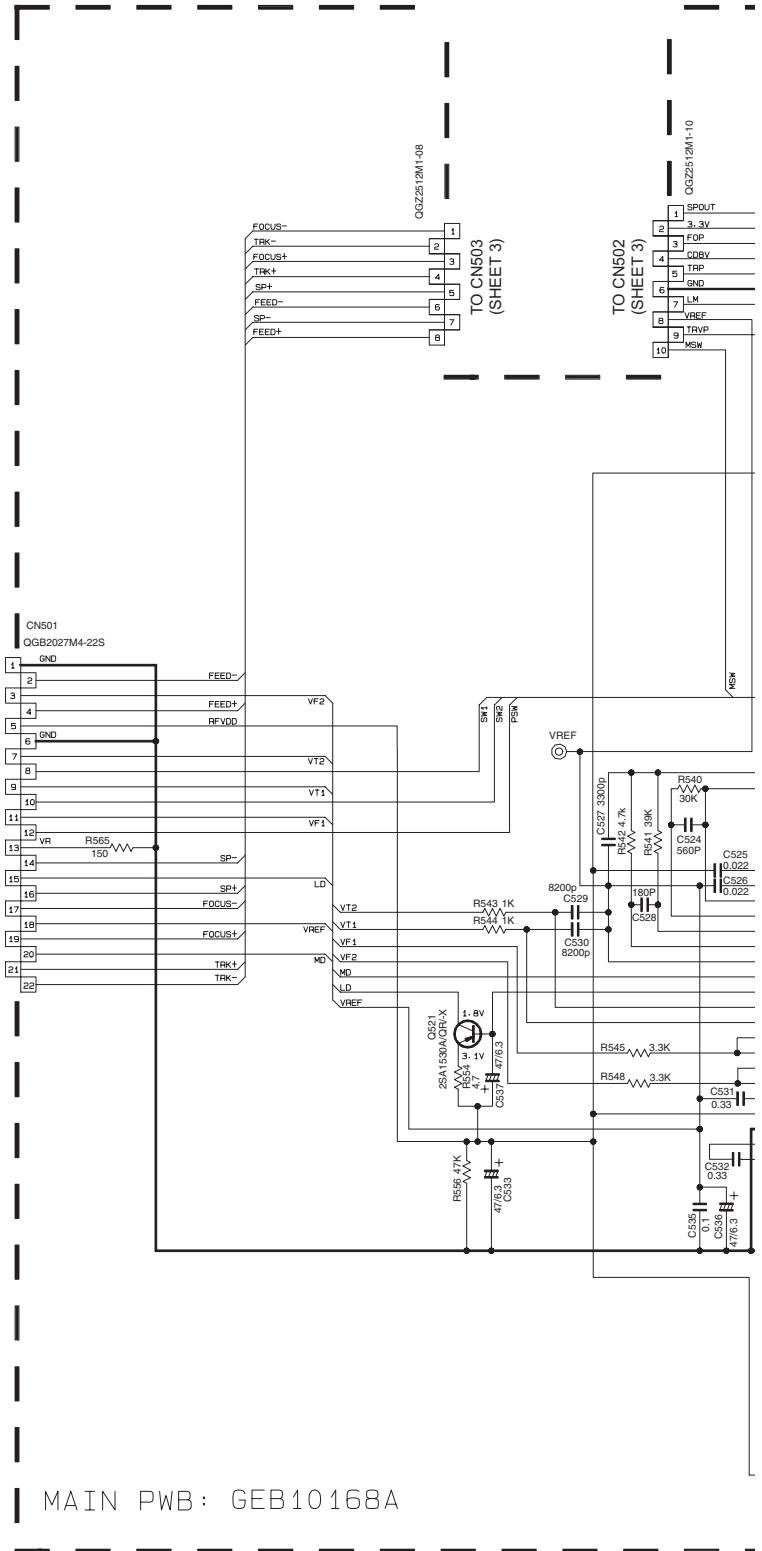
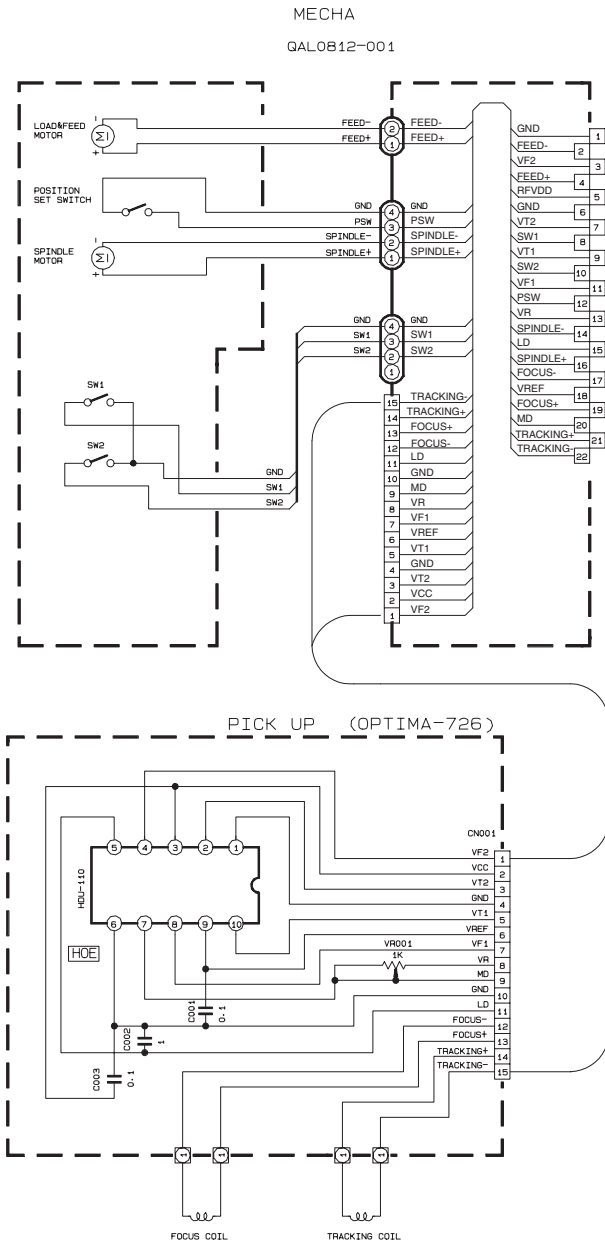
MAIN PWB: GEB10168A

IC301	LA4743K(45K)	LA4720(150K)
PIN		
1	0V	0V
2	0V	0V
3	2.8V	7.2V
4	4.7V	4.7V
5	2.8V	7.2V
6	14.4V	14.4V
7	2.8V	7.2V
8	0V	0V
9	2.8V	7.2V
10	13.2V	8.7V
11	3.0V	7.2V
12	3.0V	7.2V
13	0V	0V
14	3.0V	7.2V
15	3.0V	7.2V
16	2.8V	7.1V
17	2.8V	7.2V
18	0V	0V
19	2.8V	7.2V
20	14.4V	14.4V
21	2.8V	7.2V
22	5.3V	4.3V
23	2.8V	7.2V
24	0V	0V
25	0V	0V



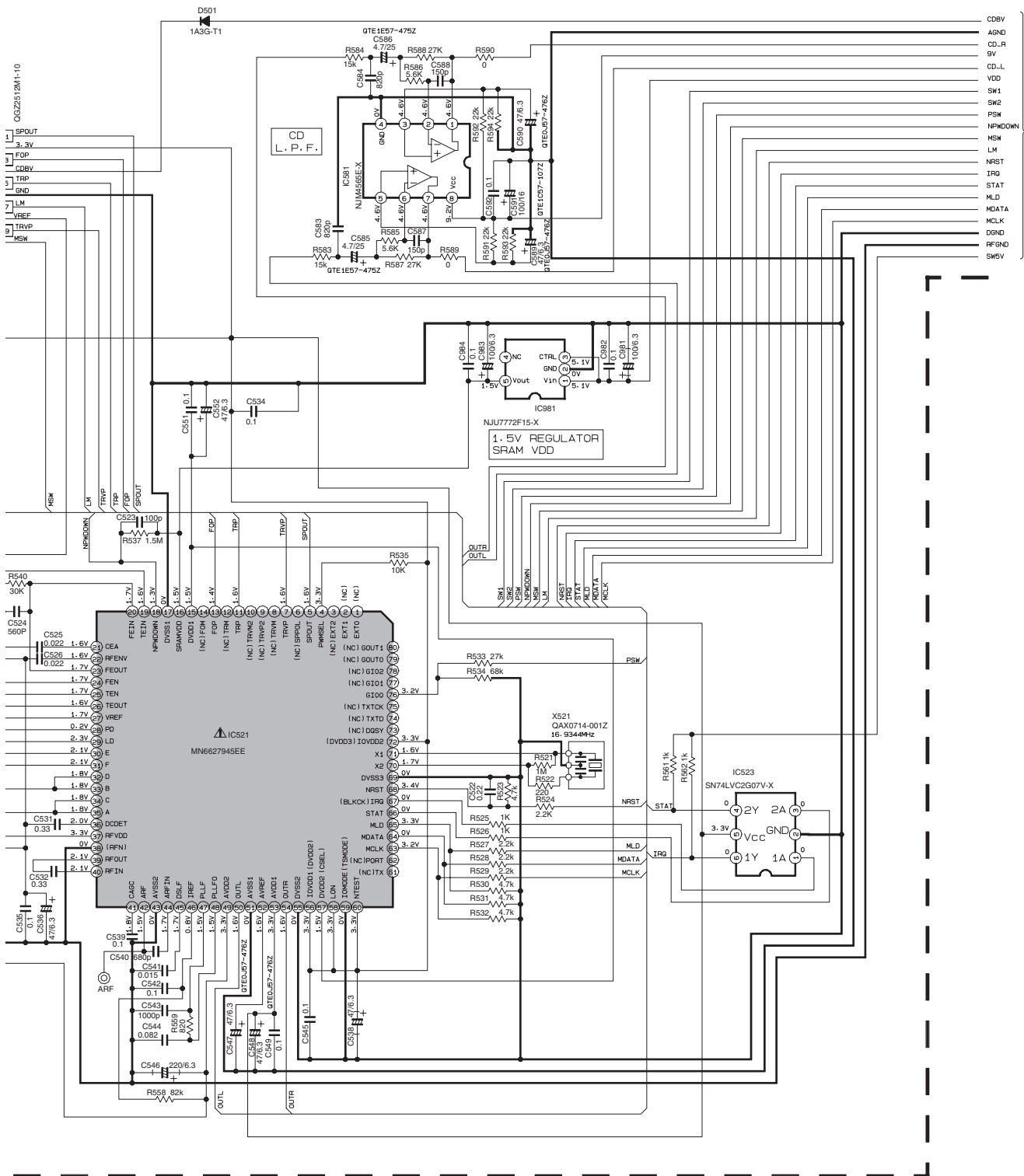
reference parts.  
reference parts make  
reference part one.

# CD servo control section (1/2)



- NOTES:
- VOLTAGE ARE DC-MEASURED WITH A DIGITAL VOLTMETER WITHOUT INPUT SIGNAL CONDITION  
--- CD MODE.
  - UNLESS OTHERWISE SPECIFIED.  
ALL RESISTOR ARE 1/16W ±5%METAL GLAZE RESISTOR.  
ALL CAPACITOR ARE 50V OR 25V CERAMIC CAPACITOR.  
ALL RESISTANCE VALUES ARE IN OHM  
ALL CAPACITANCE VALUES ARE IN uF(p-pF).  
ALL INDUCTANCE VALUES ARE IN uH  
ALL E. CAPACITORS ARE SHOWN IN THE FORM OF CAPACITANCE(uF)/RATE





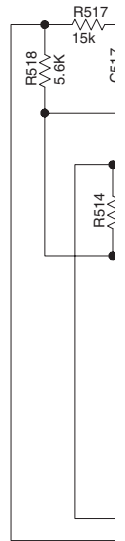
TO SHEET 1

⚠ Parts are safety assurance parts.  
When replacing those parts make  
sure to use the specified one.

ITANCE(UF)/RATED VOLTAGE(V)

## ■ CD servo control section (2/2)

FUNCTION PWB : GEB10180A



### NOTES:

1. VOLTAGE ARE DC-MEASURED WITH A DIGITAL VOLTMETER WITHOUT INPUT SIGNAL CONDITION  
--- CD MODE.

2. UNLESS OTHERWISE SPECIFIED.

ALL RESISTOR ARE 1/16W  $\pm 5\%$  METAL GLAZE RESISTOR.


ALL CAPACITOR ARE 50V OR 25V CERAMIC CAPACITOR.

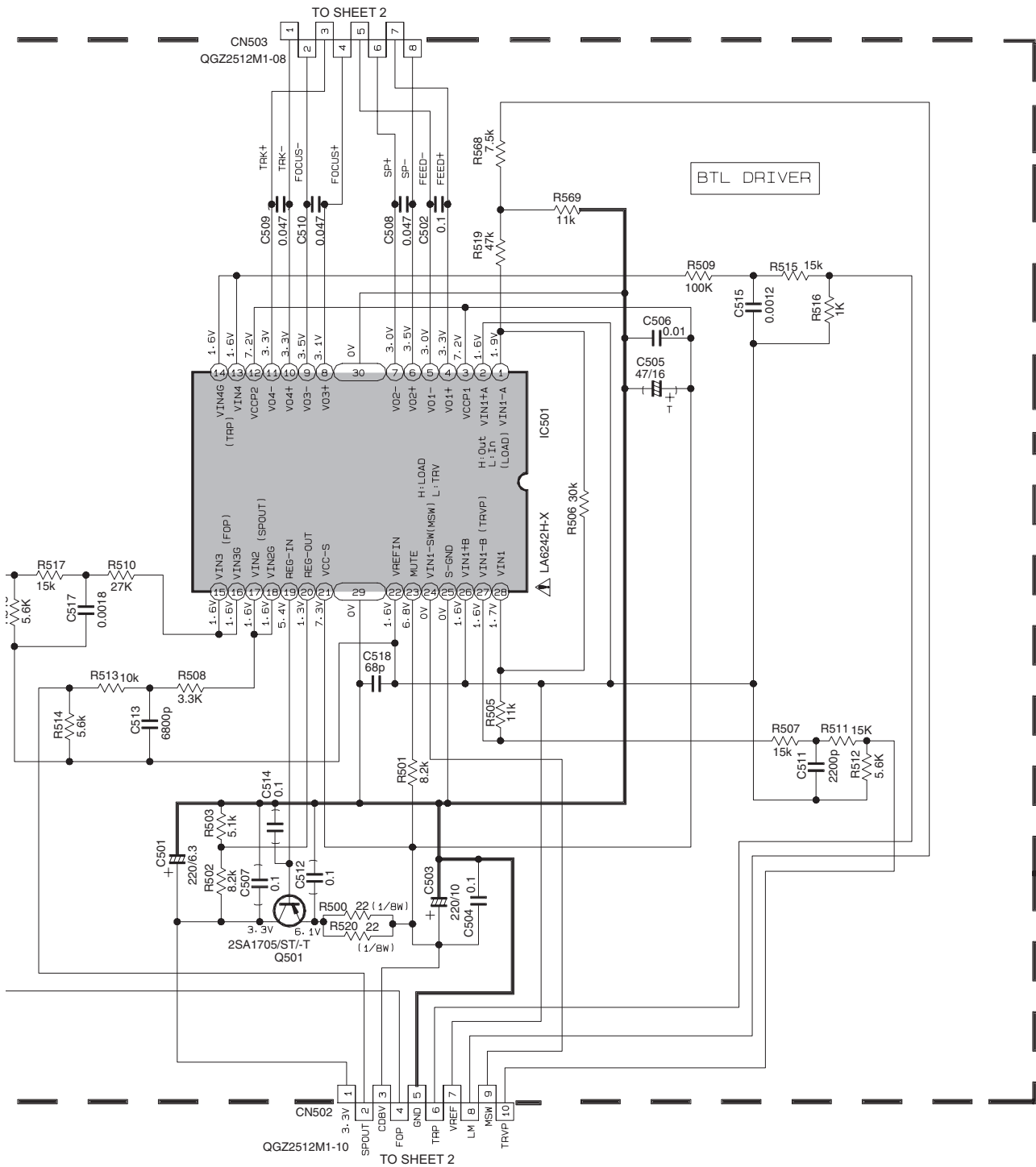
ALL RESISTANCE VALUES ARE IN OHM

ALL CAPACITANCE VALUES ARE IN  $\mu\text{F}$  (p=pF).

ALL INDUCTANCE VALUES ARE IN  $\mu\text{H}$

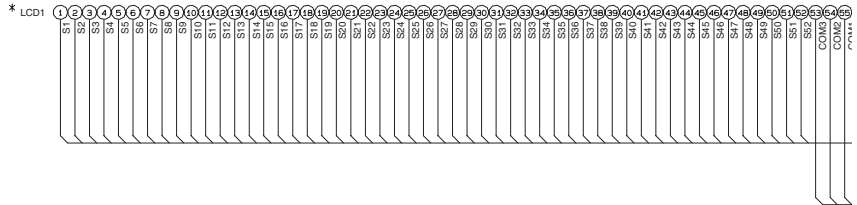
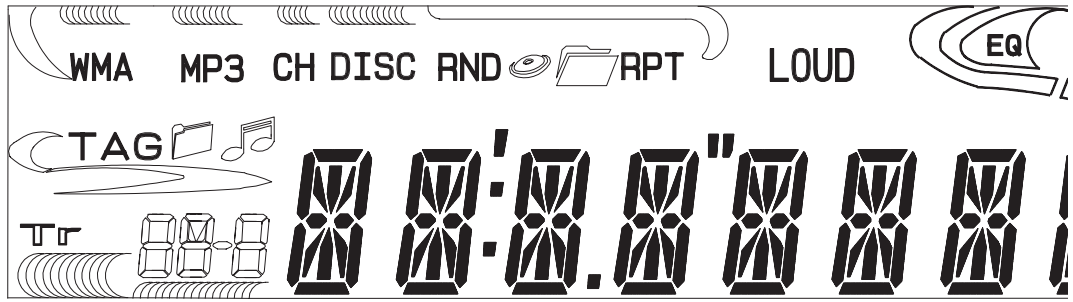
ALL E. CAPACITORS ARE SHOWN IN THE FORM OF CAPACITANCE( $\mu\text{F}$ )/RATED VOLTAGE(V)

 Parts are safety assurance parts.  
When replacing those parts make  
sure to use the specified one.

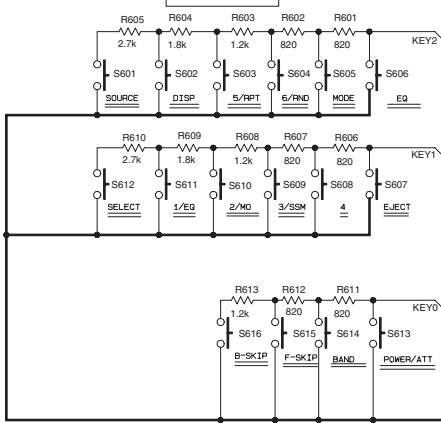


# ■ LCD & Key control section

LCD DISPLAY

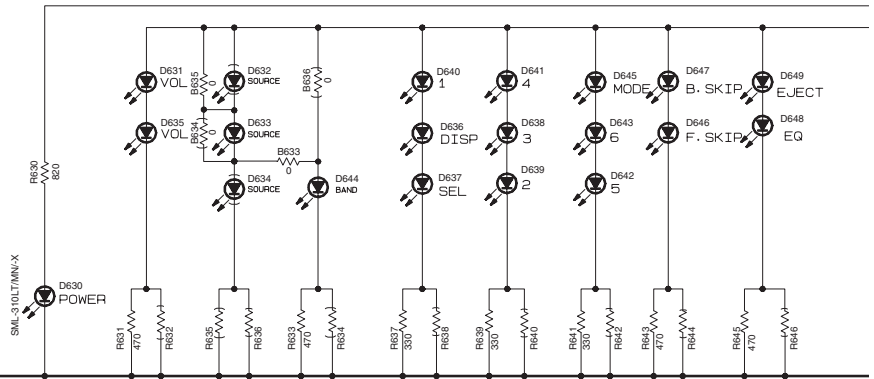


KEY MATRIX

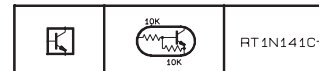


S601-S618: NSW0124-001X

LIGHTING DISPLAY



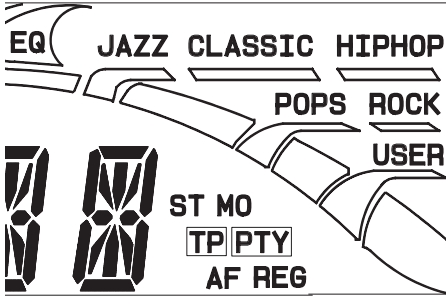
D631, D633, D635 - D649: SML-310VT/JK/-X



MODEL	KD-AR270J	KD-G323UI
	KD-G220J	KD-G324UI
		KD-G325U SERIES
		KD-G326U SERIES
LCD1	QLD0419-001	QLD0390-001

NOTES

- VOLTAGES ARE DC-MEASURED WITH A DIGITAL VOLT ME
- UNLESS OTHERWISE SPECIFIED.  
ALL RESISTORS ARE 1/16W ±5% METAL GLAZE RESIST  
ALL CAPACITORS ARE 50V OR 25V CERAMIC CAPACITOR  
ALL RESISTANCE VALUES ARE IN OHM.  
ALL CAPACITANCE VALUES ARE IN uF (P=pF)  
ALL E. CAPACITORS ARE SHOWN IN THE FORM OF CAPAI  
T --- TANTALUM CAPACITOR.
- COMPONENTS IN ( ) INDICATE NOT USE.



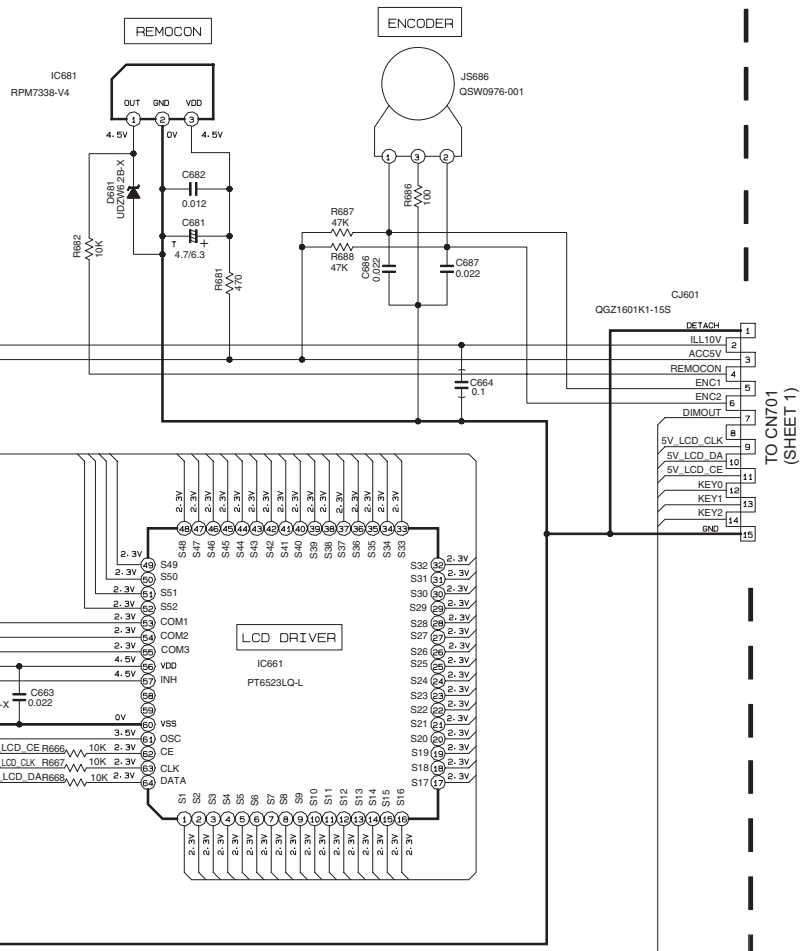
50  
51  
52  
53  
54  
55  
56  
57  
58  
59  
60

3649  
3648  
EQ

RT1N141C-X

TAL VOLT METER WITHOUT INPUT SIGNAL.

LAZE RESISTOR.  
C CAPACITOR.  
F)  
FORM OF CAPACITANCE (UF)/RATED VOLTAGE (V)



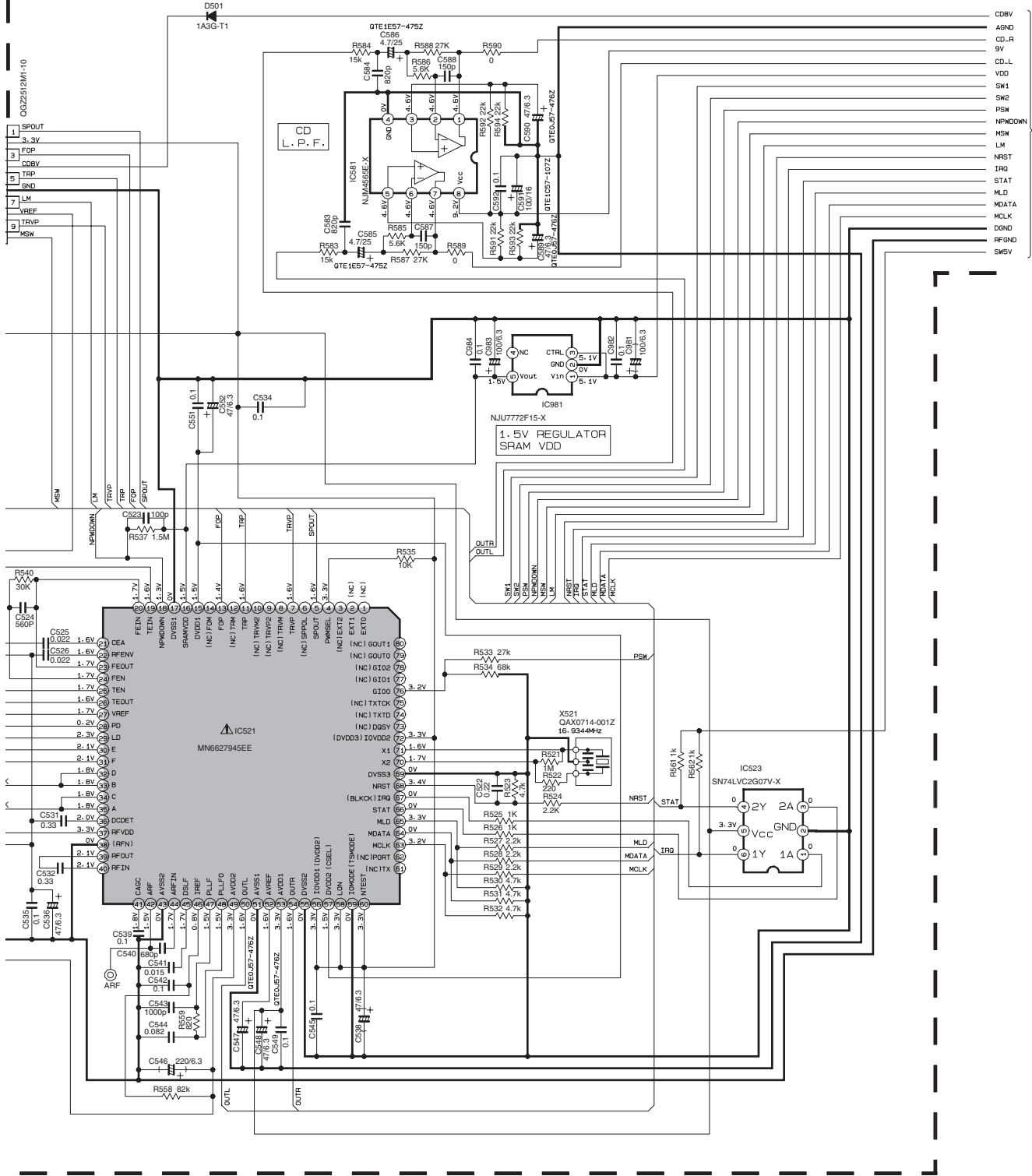
TO CNT01  
(SHEET 1)









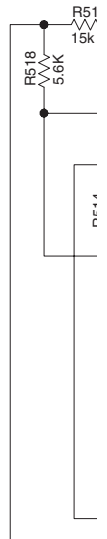


**Parts are safety assurance parts.**  
 When replacing those parts make  
 sure to use the specified one.

CITANCE (uF)/RATED VOLTAGE (V)

## ■ CD servo control section (2/2)

FUNCTION PWB : GEB10180A




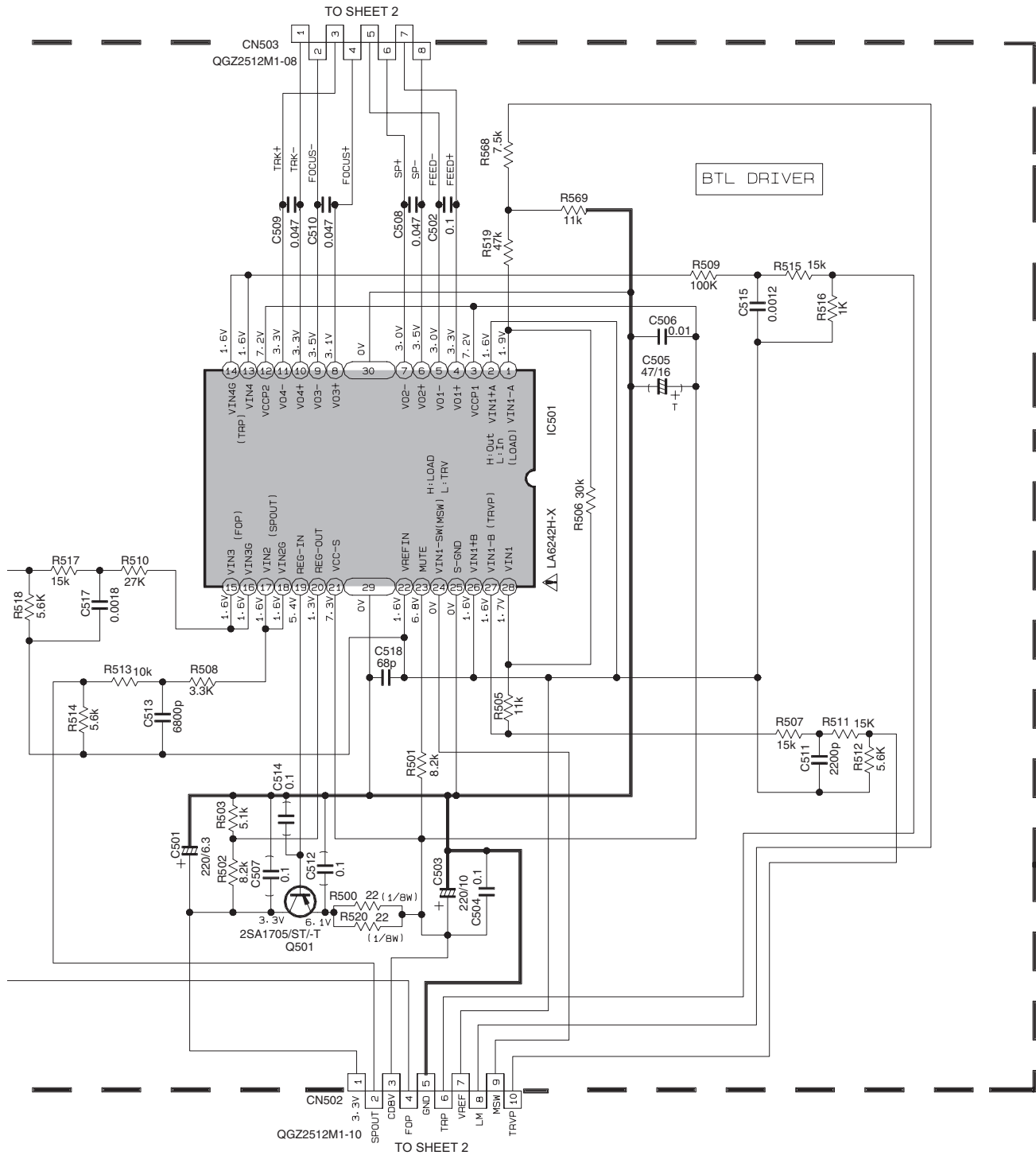
### NOTES:

1. VOLTAGE ARE DC-MEASURED WITH A DIGITAL VOLT-METER WITHOUT INPUT SIGNAL CONDITION  
--- CD MODE.

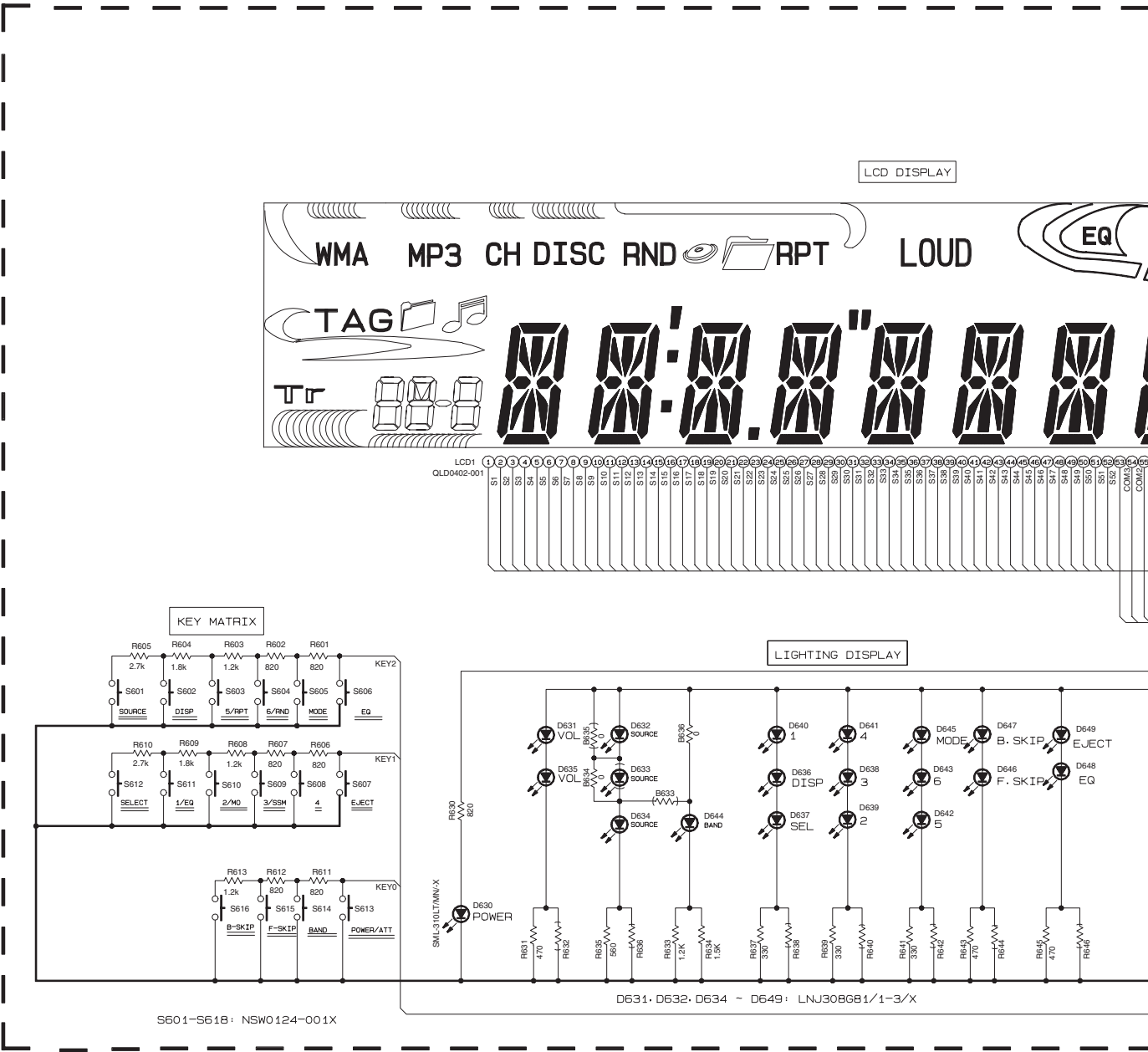
2. UNLESS OTHERWISE SPECIFIED.

ALL RESISTOR ARE 1/16W ±5%METAL GLAZE RESISTOR.  
ALL CAPACITOR ARE 50V OR 25V CERAMIC CAPACITOR.  
ALL RESISTANCE VALUES ARE IN OHM  
ALL CAPACITANCE VALUES ARE IN uF(p=pF).  
ALL INDUCTANCE VALUES ARE IN uH  
ALL E. CAPACITORS ARE SHOWN IN THE FORM OF CAPACITANCE(uF)/RATED VOLTAGE(V)

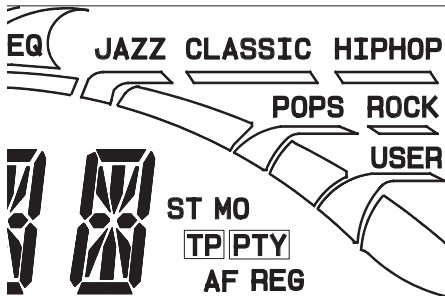
 Parts are safety assurance parts.  
When replacing those parts make  
sure to use the specified one.



# ■ LCD & Key control section

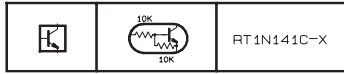
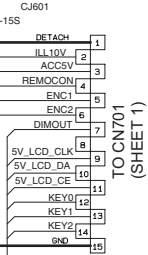
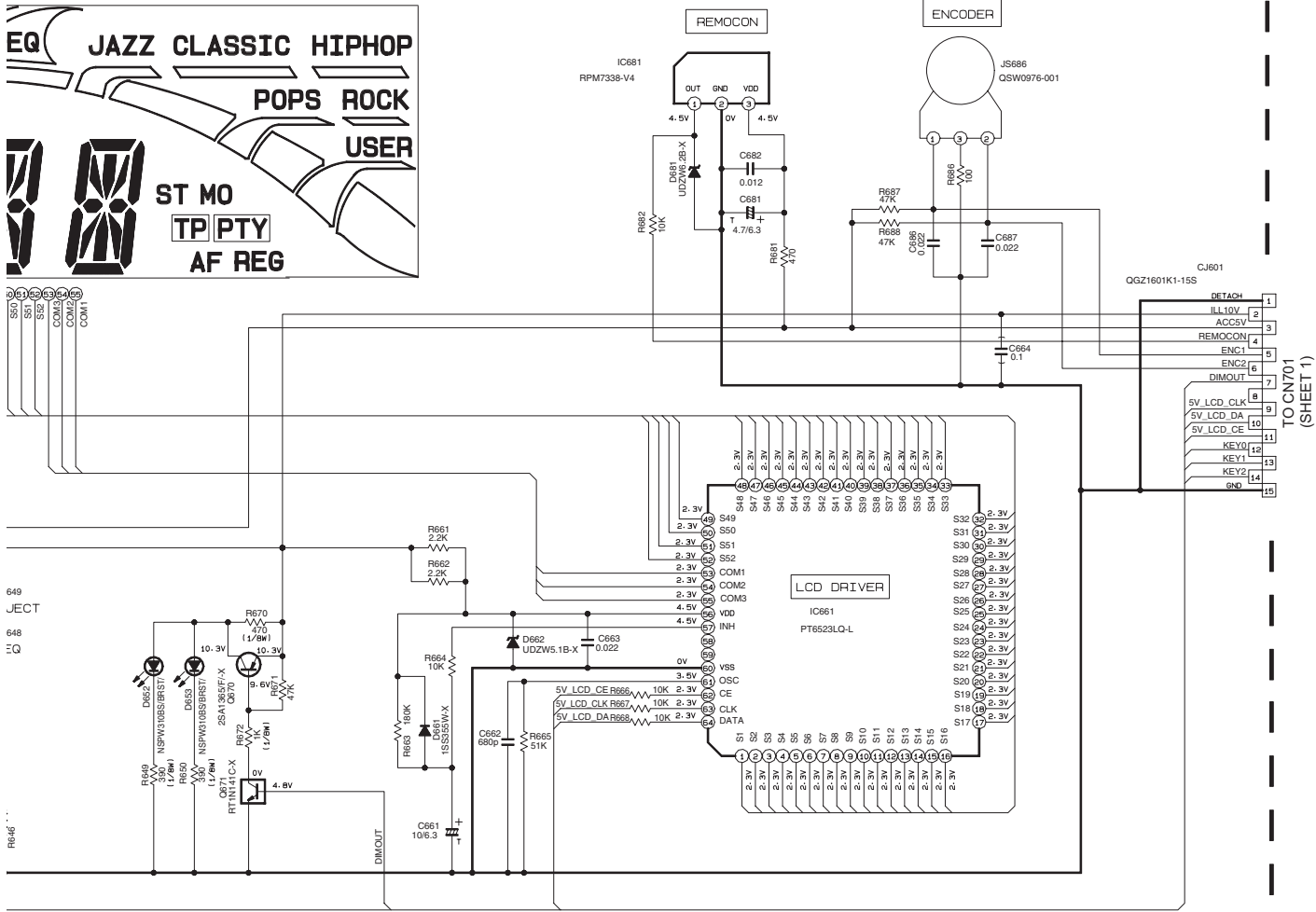


SW PWB : GEB10174A



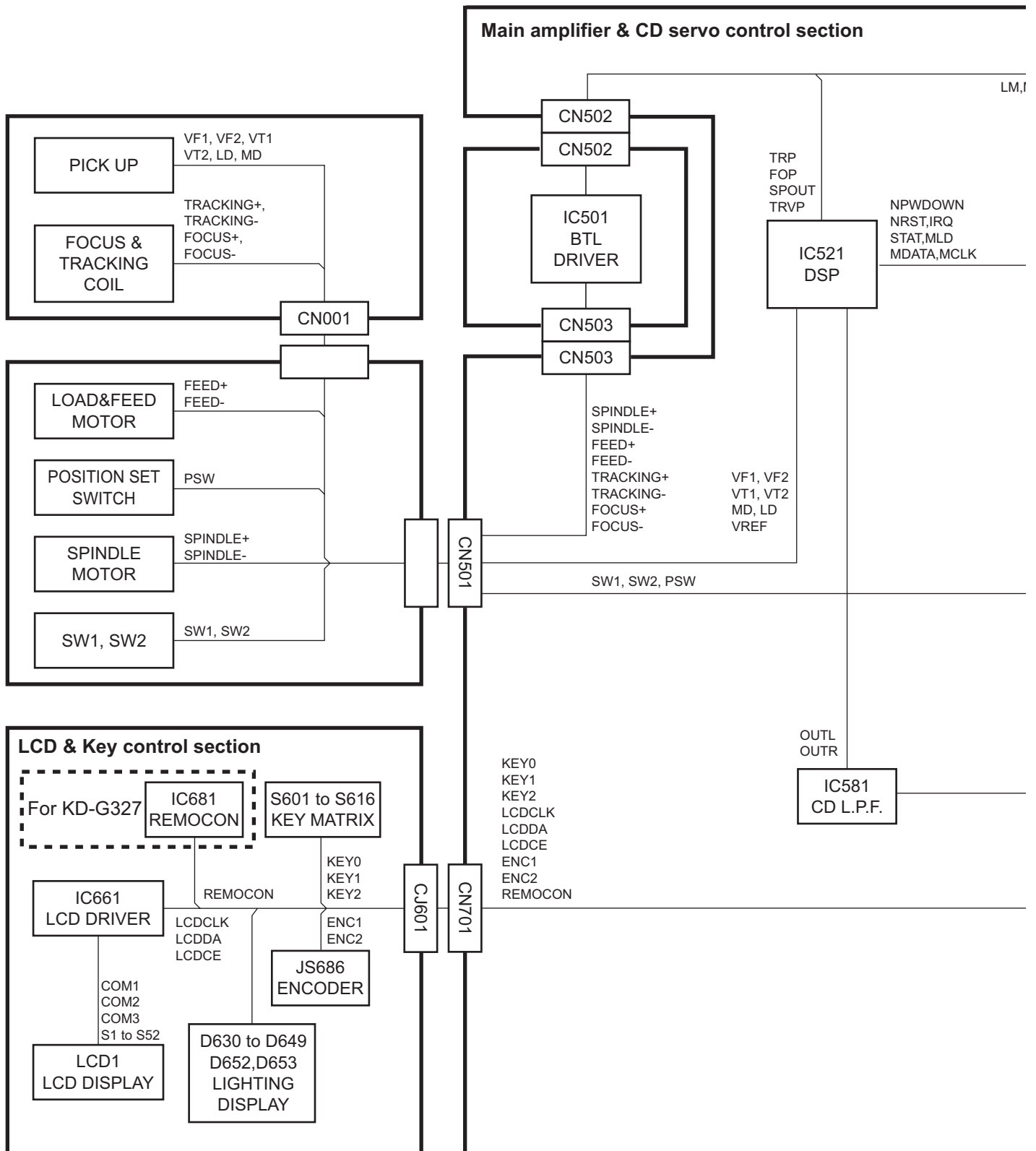
649  
JECT  
648  
EQ

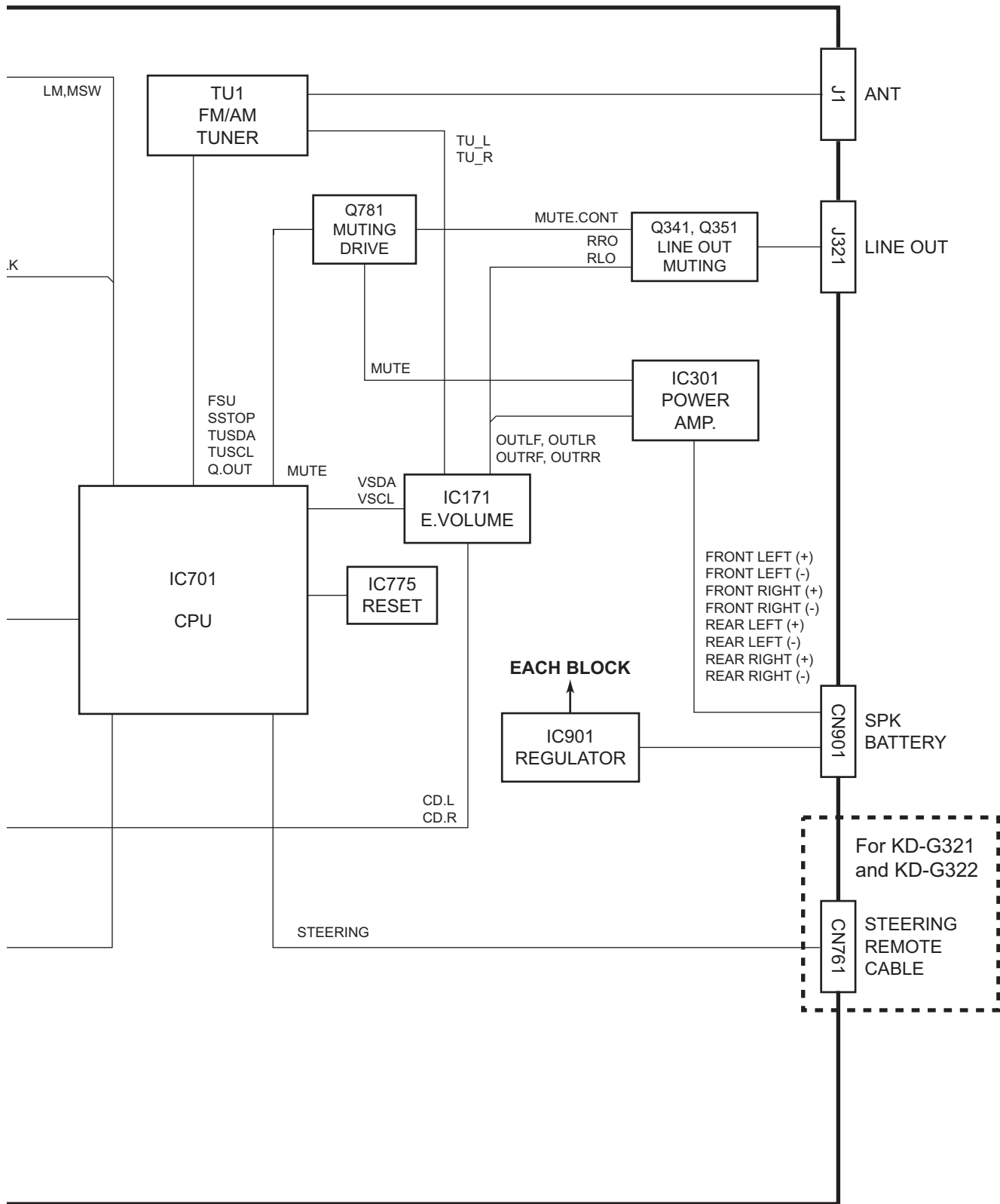
RE46



- NOTES**
- VOLTAGES ARE DC-MEASURED WITH A DIGITAL VOLT METER WITHOUT INPUT SIGNAL.
  - UNLESS OTHERWISE SPECIFIED.  
ALL RESISTORS ARE 1/16W ±5% METAL GLAZE RESISTOR.  
ALL CAPACITORS ARE 50V OR 25V CERAMIC CAPACITOR.  
ALL RESISTANCE VALUES ARE IN OHM.  
ALL CAPACITANCE VALUES ARE IN uF(P=0F)  
ALL E-CAPACITORS ARE SHOWN IN THE FORM OF CAPACITANCE(uF)/RATED VOLTAGE(V)  
T --- TANTALUM CAPACITOR.
  - COMPONENTS IN ( ) INDICATE NOT USE.

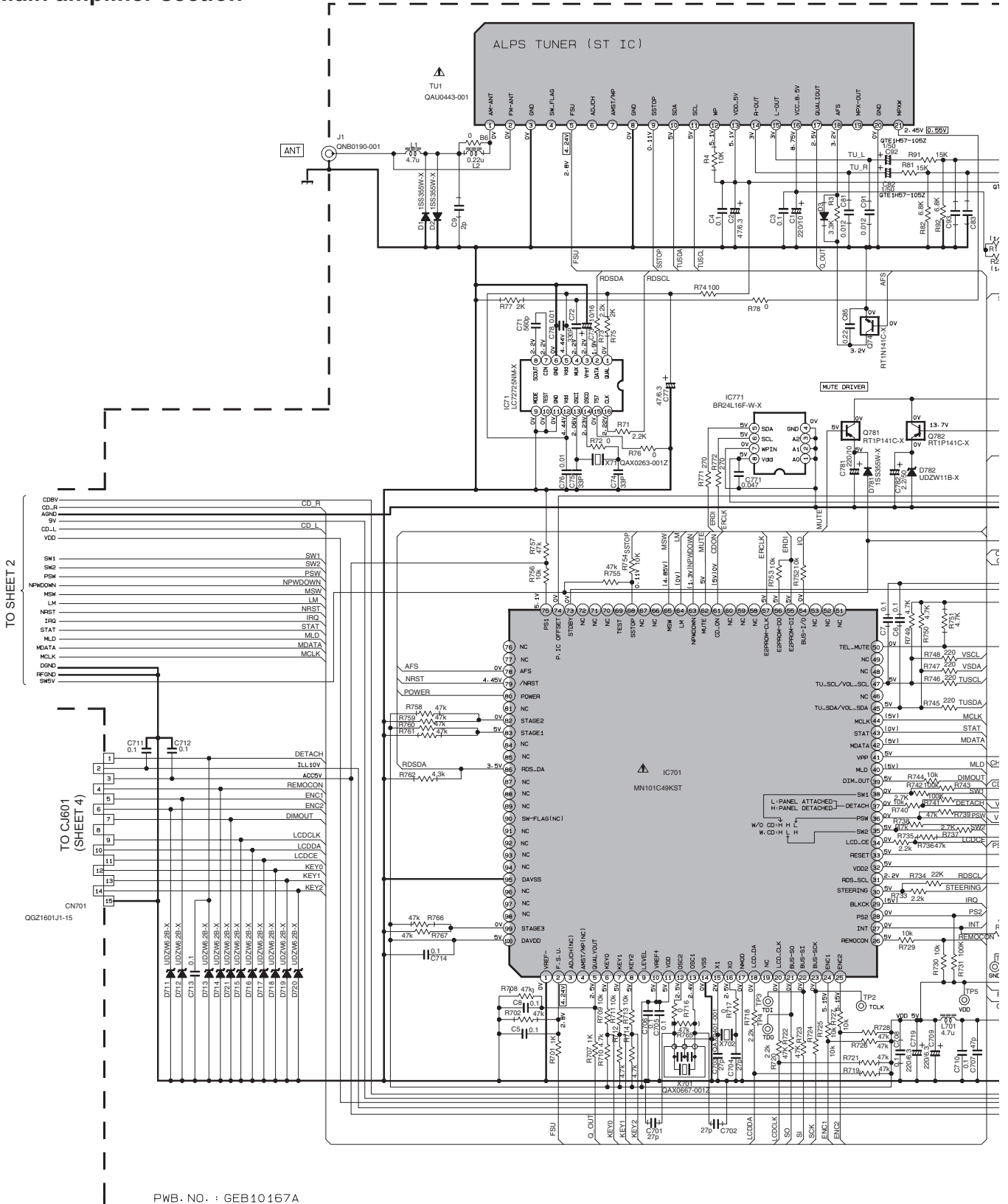
# Block diagram (For KD-G321,KD-G322,KD-G327)





# Standard schematic diagrams (For KD-G321, KD-G322)

## ■ Main amplifier section



PWB. NO. : GEB10167A

	10K	RT1N141C-X
	10K	RT1P141C-X

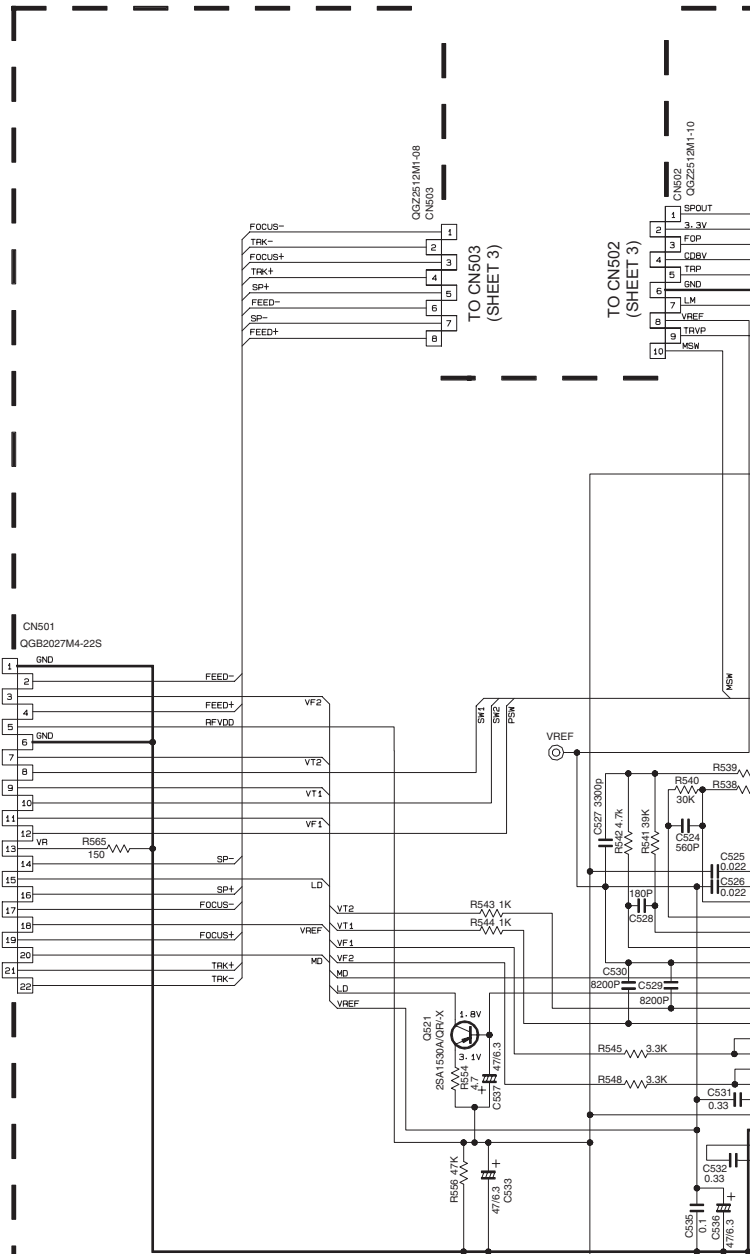
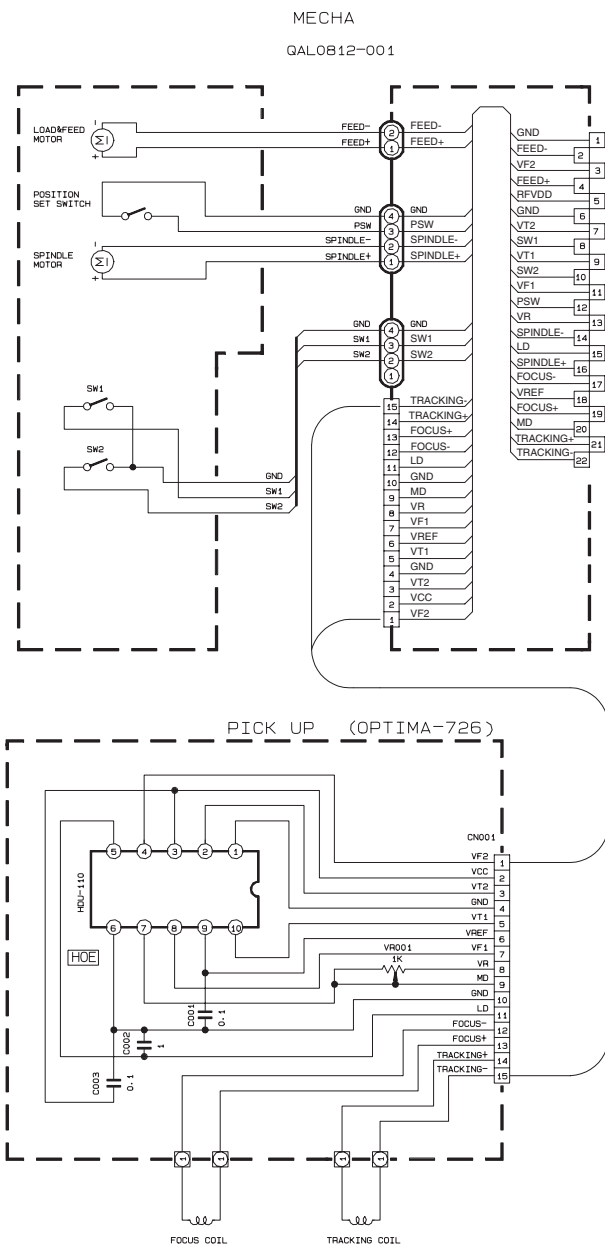
⚠ Parts are safety assurance parts.  
When replacing those parts make sure to use the specified one.

NOTE





# CD servo control section (1/2)



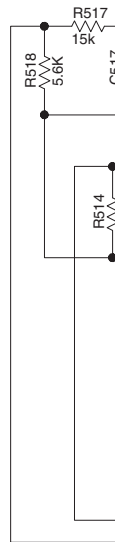
- NOTES:
- VOLTAGE ARE DC-MEASURED WITH A DIGITAL VOLTMETER WITHOUT INPUT SIGNAL CONDITION — CD MODE.
  - UNLESS OTHERWISE SPECIFIED.
    - ALL RESISTOR ARE 1/16W ±5%METAL GLAZE RESISTOR.
    - ALL CAPACITOR ARE 50V DR 25V CERAMIC CAPACITOR.
    - ALL RESISTANCE VALUES ARE IN OHM
    - ALL CAPACITANCE VALUES ARE IN UF(p=PF).
    - ALL INDUCTANCE VALUES ARE IN UH
    - ALL E. CAPACITORS ARE SHOWN IN THE FORM OF CAPACITANCE(UF)/RATE



## ■ CD servo control section (2/2)

LA

FUNCTION PWB : GEB10180A



### NOTES:

1. VOLTAGE ARE DC-MEASURED WITH A DIGITAL  
VOLTMETER WITHOUT INPUT SIGNAL CONDITION  
--- CD MODE.

2. UNLESS OTHERWISE SPECIFIED.

ALL RESISTOR ARE 1/16W ±5%METAL GLAZE RESISTOR.


ALL CAPACITOR ARE 50V OR 25V CERAMIC CAPACITOR.

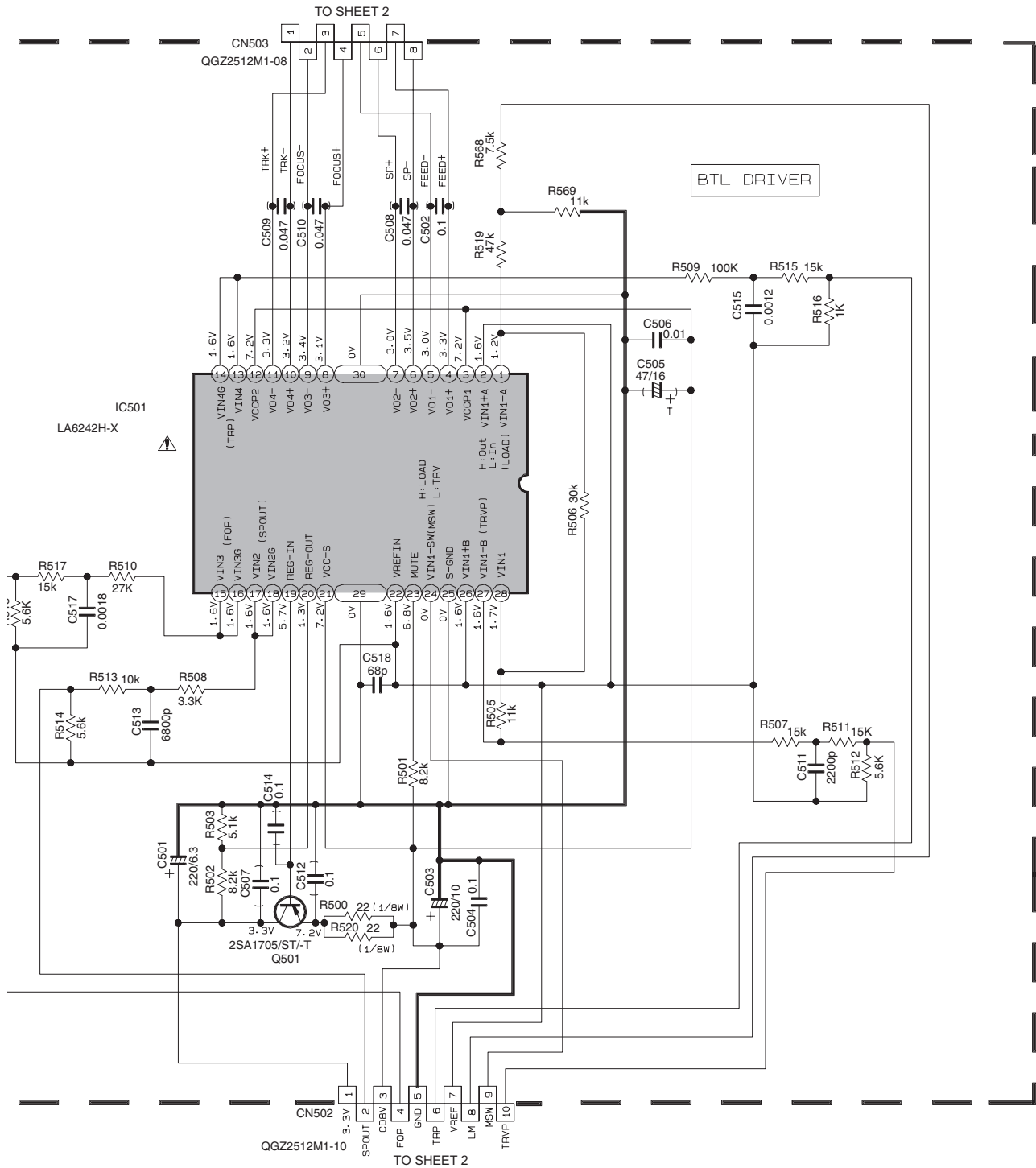
ALL RESISTANCE VALUES ARE IN OHM

ALL CAPACITANCE VALUES ARE IN  $\mu\text{F}$ (p=pF).

ALL INDUCTANCE VALUES ARE IN  $\mu\text{H}$

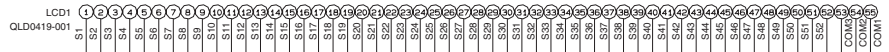
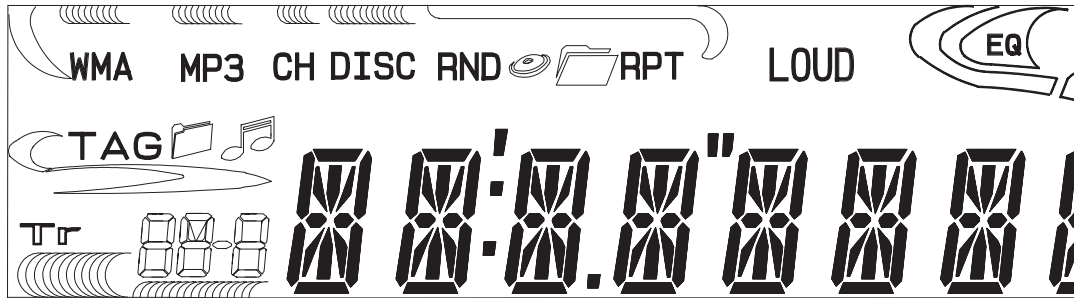
ALL E. CAPACITORS ARE SHOWN IN THE FORM OF CAPACITANCE( $\mu\text{F}$ )/RATED VOLTAGE(V)

 Parts are safety assurance parts.  
When replacing those parts make  
sure to use the specified one.

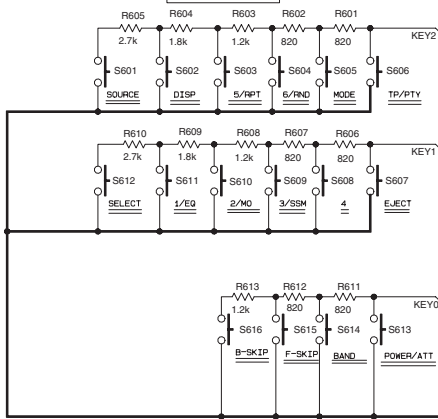


# LCD & Key control section

LCD DISPLAY

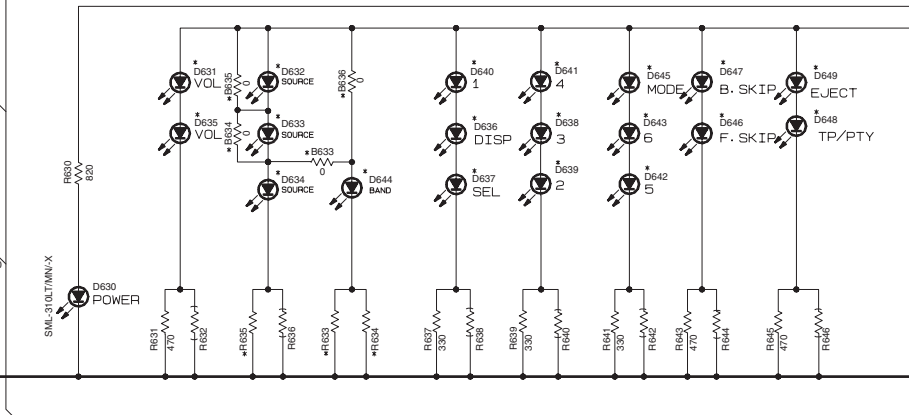


KEY MATRIX

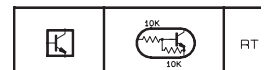


S601-S618: NSW0283-001X

LIGHTING DISPLAY



REF. NAME	KD-G321E	KD-G322E
D632	LNJ308G81/1-3/X	NO USE
D633	NO USE	SML-310VT/JK/-X
D634	LNJ308G81/1-3/X	NO USE
D631, D635 D636 ~ D649	LNJ308G81/1-3/X	SML-310VT/JK/-X
B633- B635	NO USE	USE
B634, B636	USE	NO USE
R633	1.2K	470
R634	1.5K	NO USE
R635	560	NO USE



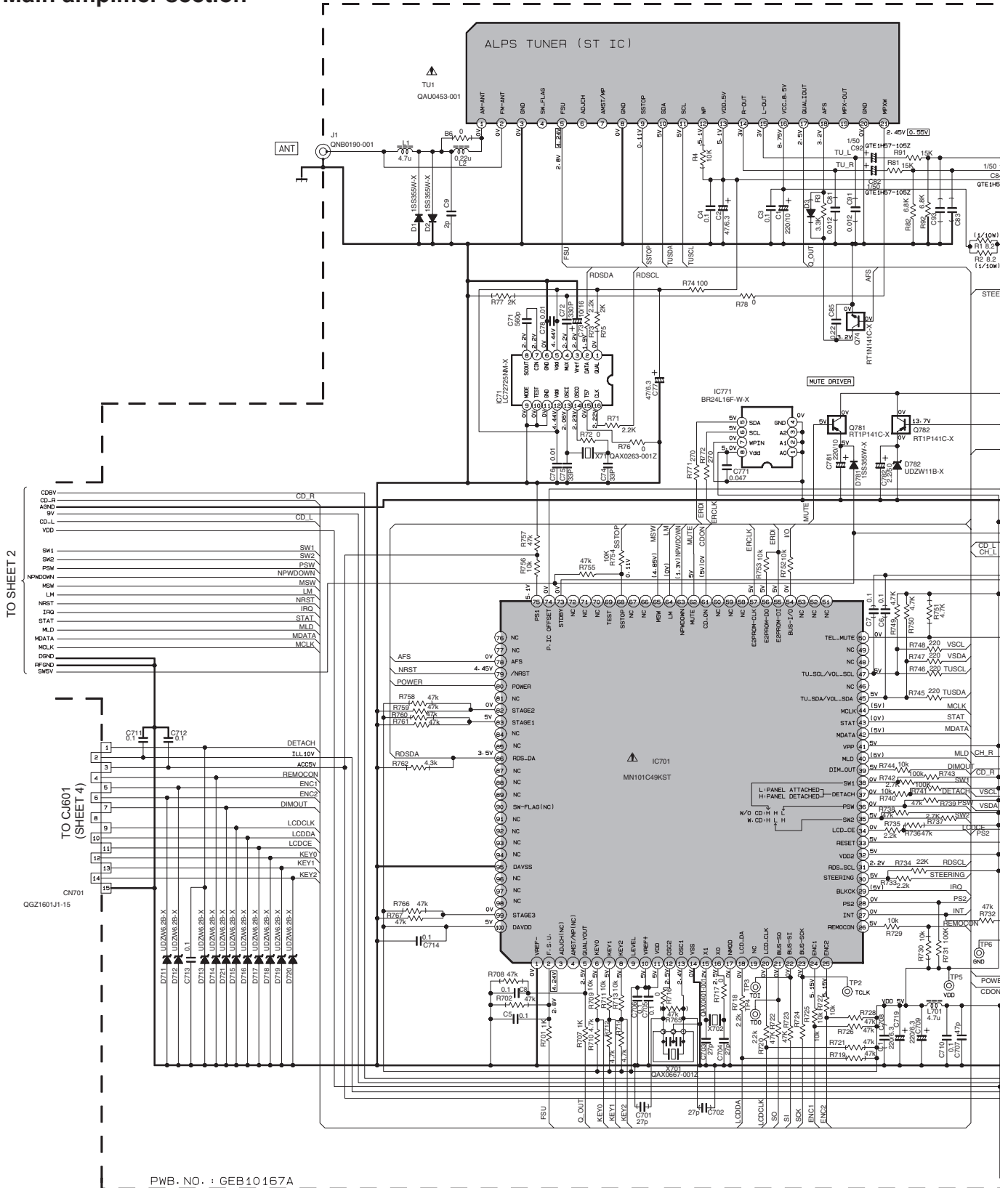
NOTES

- VOLTAGES ARE DC-MEASURED WITH A DIGITAL
- UNLESS OTHERWISE SPECIFIED.  
ALL RESISTORS ARE 1/16W ±5% METAL GLAZE  
ALL CAPACITORS ARE 50V OR 25V CERAMIC C  
ALL RESISTANCE VALUES ARE IN OHM.  
ALL CAPACITANCE VALUES ARE IN uF(P=pF)  
ALL E-CAPACITORS ARE SHOWN IN THE FORM T --- TANTALUM CAPACITOR.
- COMPONENTS IN ( ) INDICATE NOT USE.

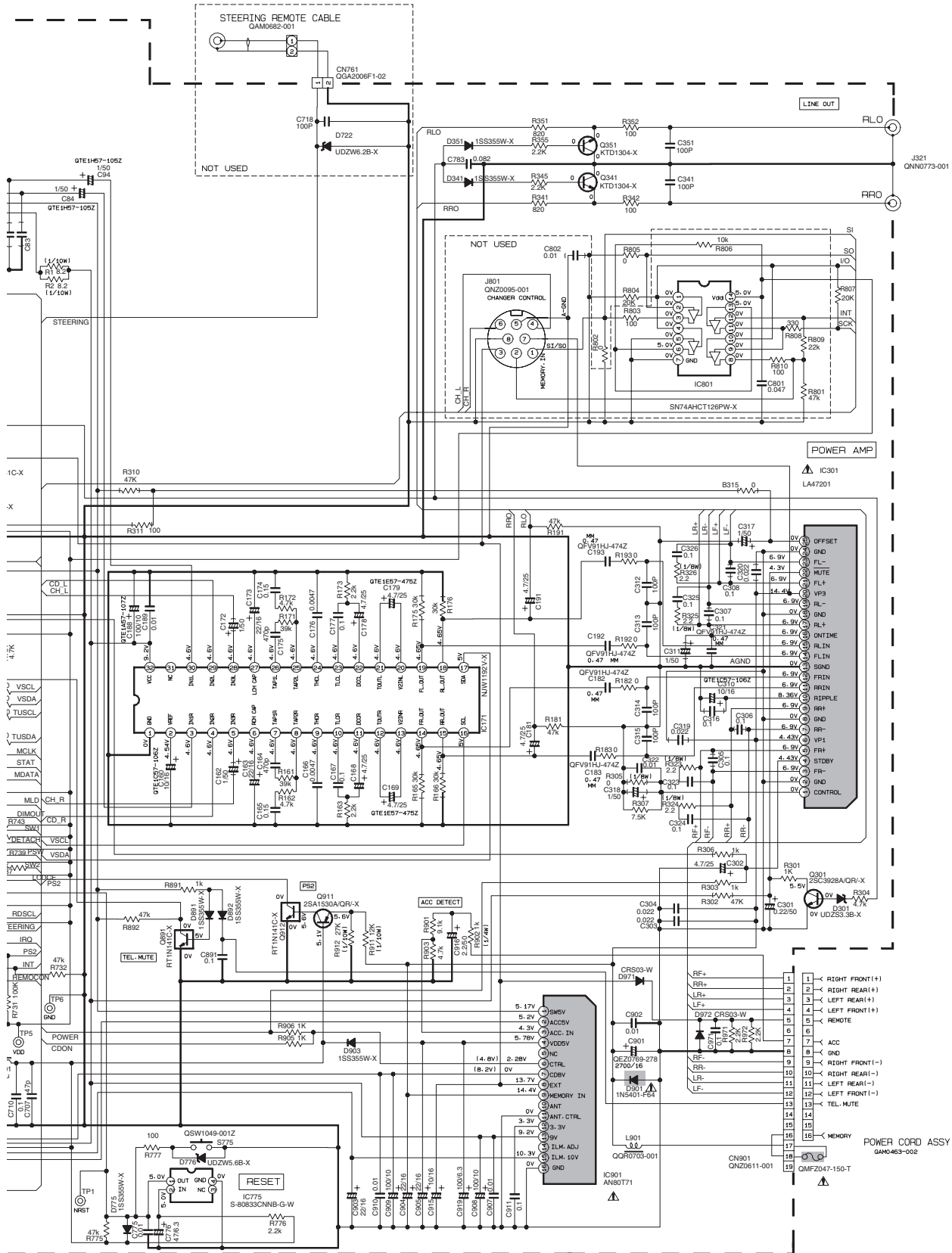


# Standard schematic diagrams (For KD-G327)

## ■ Main amplifier section

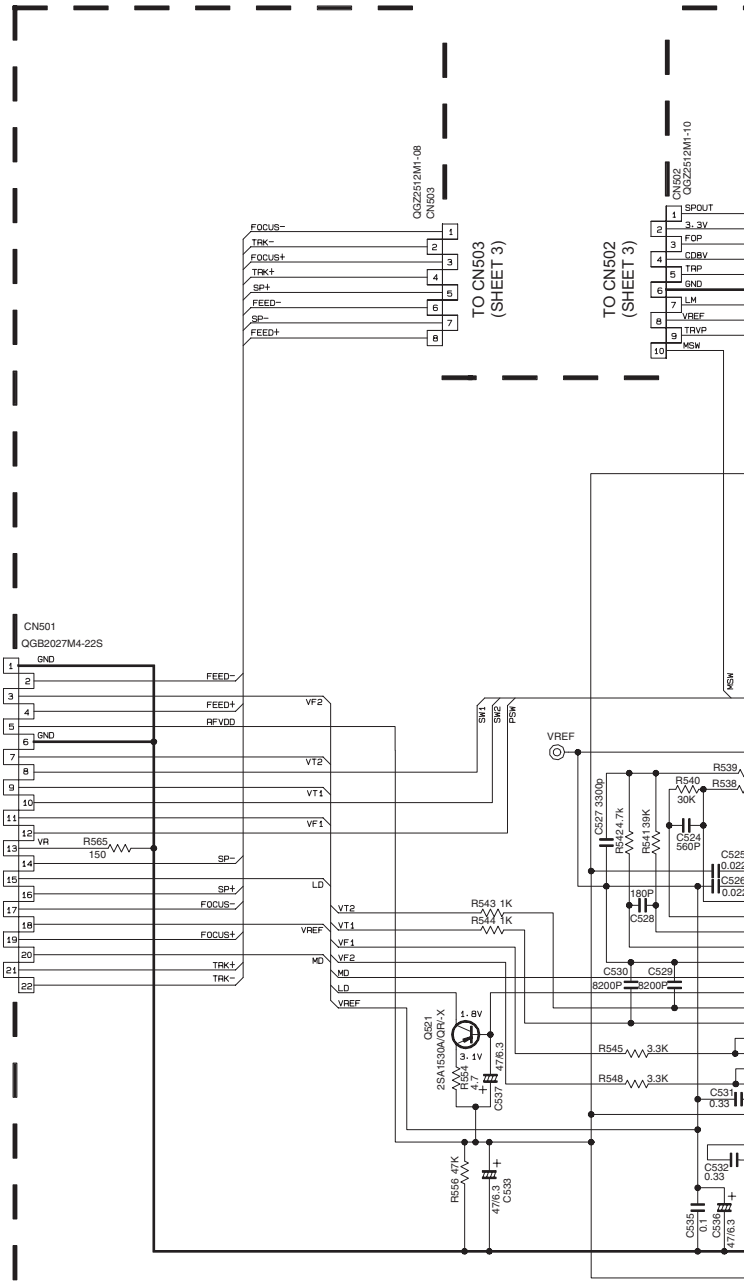
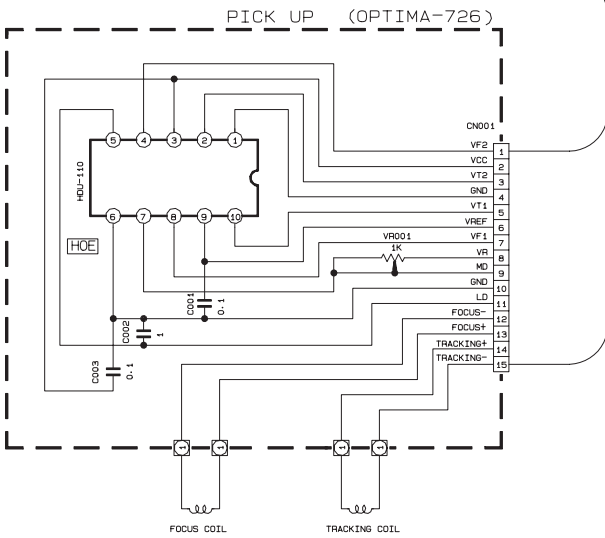
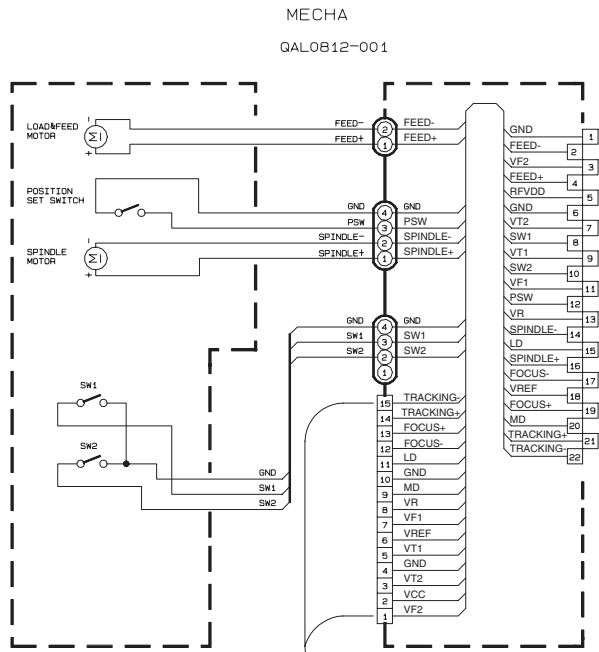






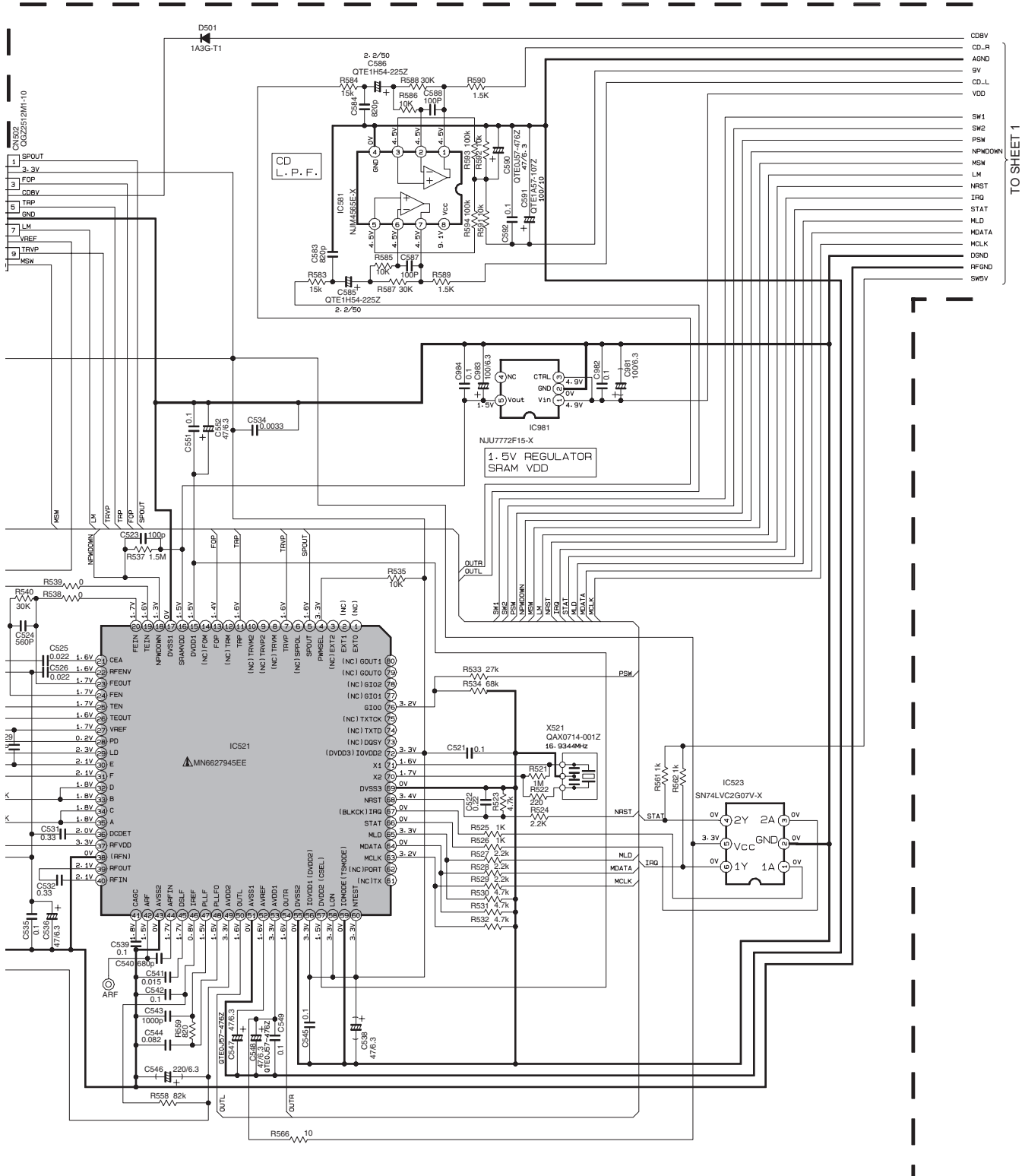
- NOTES
1. VOLTAGES ARE DC-MEASURED WITH A DIGITAL VOLT METER WITHOUT INPUT SIGNAL CONDITION---FM MODE. □ AM MODE. ( ) CD MODE.
  2. UNLESS OTHERWISE SPECIFIED.  
ALL RESISTORS ARE 1/16W ± 5% METAL GLAZE RESISTOR.  
ALL CAPACITORS ARE 50V OR 25V CERAMIC CAPACITOR.  
ALL RESISTANCE VALUES ARE IN OHM.  
ALL CAPACITANCE VALUES ARE IN uF(P=pF)  
ALL E-CAPACITORS ARE SHOWN IN THE FORM OF CAPACITANCE(uF)/RATED VOLTAGE(V)  
TF --- T.F. CAPACITOR
  3. COMPONENTS IN ( ) INDICATE NOT USE.

# CD servo control section (1/2)



MAIN PWB: GEB10167A

- NOTES:
- VOLTAGE ARE DC-MEASURED WITH A DIGITAL VOLTMETER WITHOUT INPUT SIGNAL CONDITION  
--- CD MODE.
  - UNLESS OTHERWISE SPECIFIED, ALL RESISTOR ARE 1/16W ± 5% METAL GLAZE RESISTOR. ALL CAPACITOR ARE 50V OR 25V CERAMIC CAPACITOR. ALL RESISTANCE VALUES ARE IN OHM ALL CAPACITANCE VALUES ARE IN uF(p=pF). ALL INDUCTANCE VALUES ARE IN uH ALL E. CAPACITORS ARE SHOWN IN THE FORM OF CAPACITANCE (uF)/RA



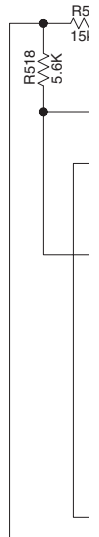
TO SHEET 1

⚠ Parts are safety assurance parts.  
When replacing those parts make  
sure to use the specified one.

CITANCE (uF) / RATED VOLTAGE (V)

## ■ CD servo control section (2/2)

FUNCTION PWB : GEB10180A




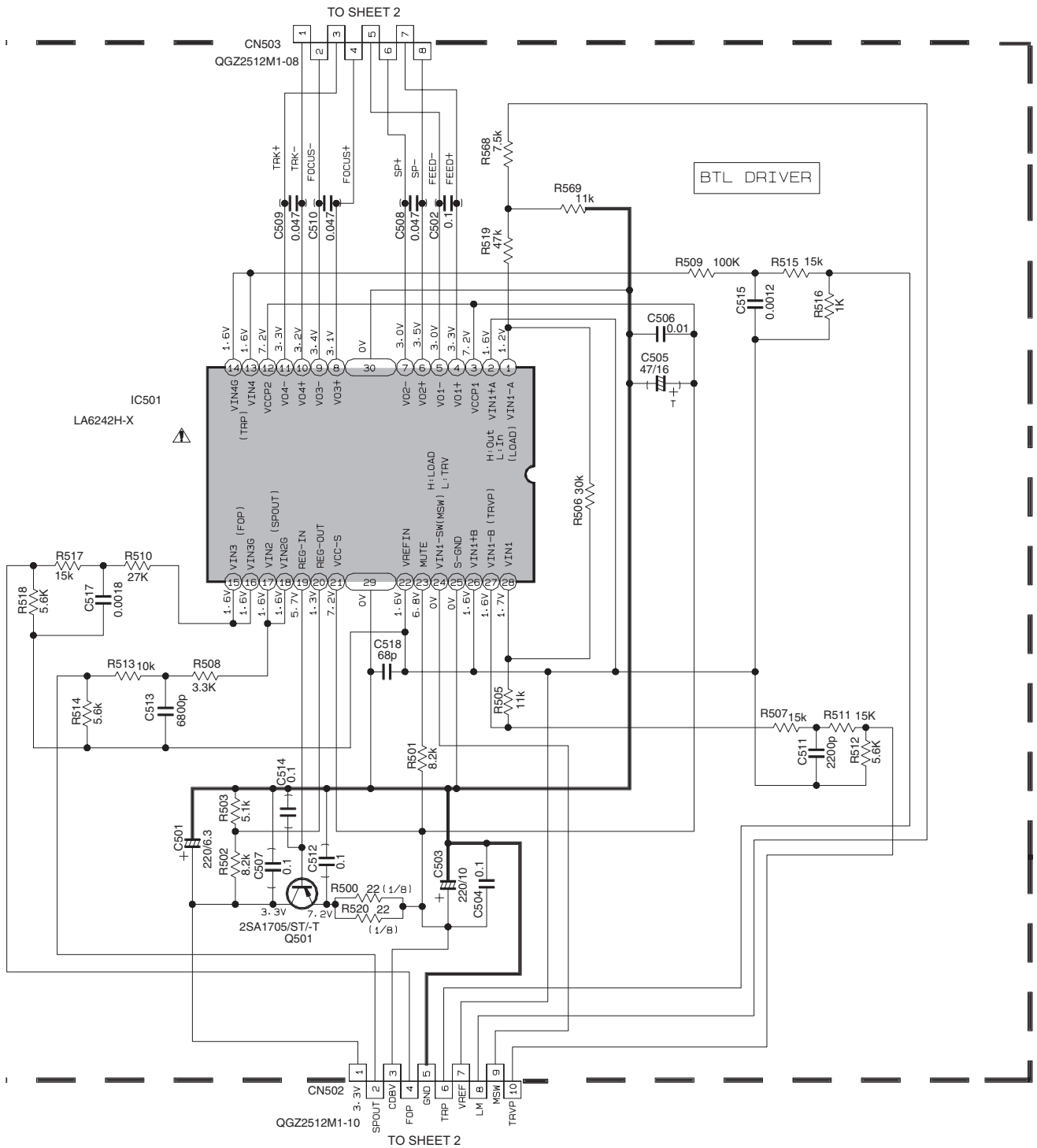
### NOTES:

1. VOLTAGE ARE DC-MEASURED WITH A DIGITAL VOLT-METER WITHOUT INPUT SIGNAL CONDITION --- CD MODE.

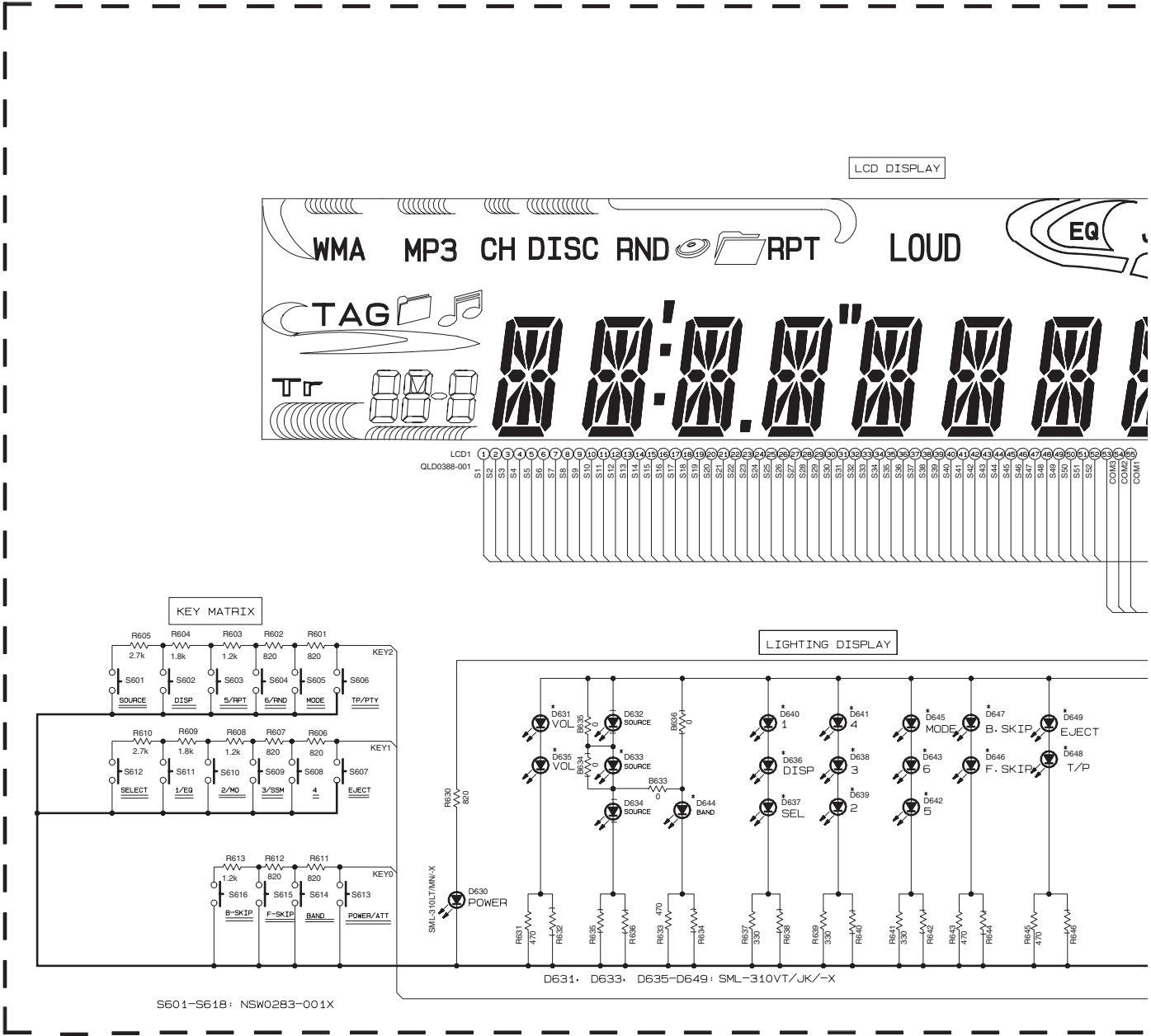
2. UNLESS OTHERWISE SPECIFIED.

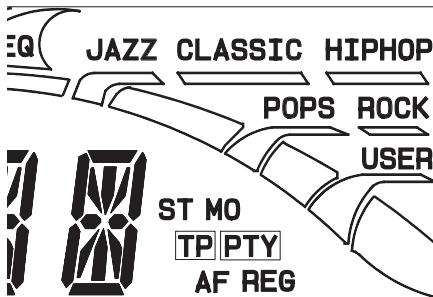
ALL RESISTOR ARE 1/16W ±5%METAL GLAZE RESISTOR.  
ALL CAPACITOR ARE 50V OR 25V CERAMIC CAPACITOR.  
ALL RESISTANCE VALUES ARE IN OHM  
ALL CAPACITANCE VALUES ARE IN uF(p=pF).  
ALL INDUCTANCE VALUES ARE IN uH  
ALL E. CAPACITORS ARE SHOWN IN THE FORM OF CAPACITANCE(uF)/RATED VOLTAGE(V)

 Parts are safety assurance parts.  
When replacing those parts make  
sure to use the specified one.



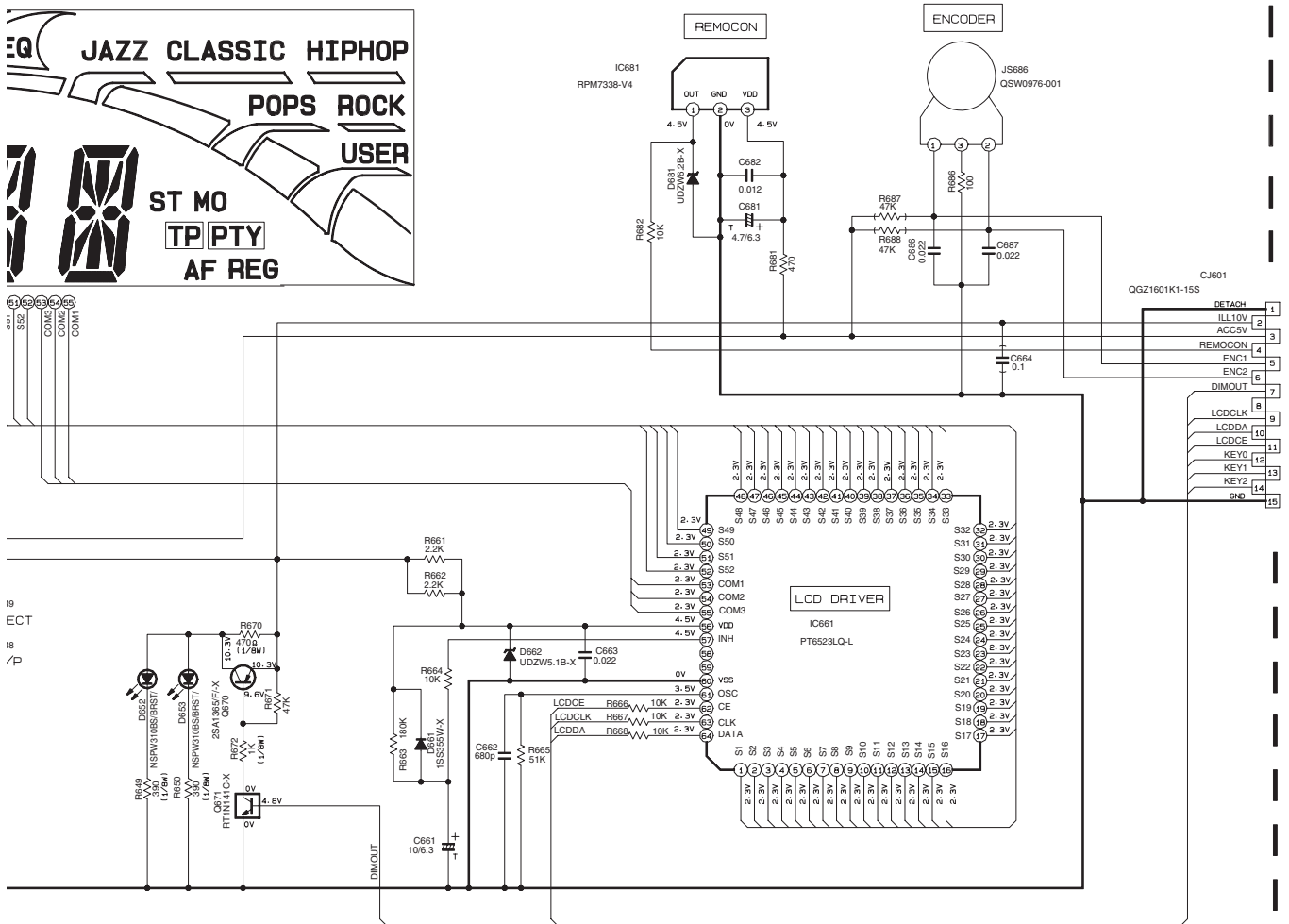
# ■ LCD & Key control section



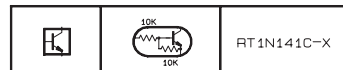


COM1  
COM2  
COM3  
COM4

ECT  
/P



TO CNT01  
(SHEET 1)



NOTES

1. VOLTAGES ARE DC-MEASURED WITH A DIGITAL VOLT METER WITHOUT INPUT SIGNAL.
2. UNLESS OTHERWISE SPECIFIED.  
ALL RESISTORS ARE 1/16W ±5% METAL GLAZE RESISTOR.  
ALL CAPACITORS ARE 50V OR 25V CERAMIC CAPACITOR.  
ALL RESISTANCE VALUES ARE IN OHM.  
ALL CAPACITANCE VALUES ARE IN uF(P=pF)  
ALL E-CAPACITORS ARE SHOWN IN THE FORM OF CAPACITANCE(uF)/RATED VOLTAGE(V)  
T --- TANTALUM CAPACITOR.
3. COMPONENTS IN ( ) INDICATE NOT USE.

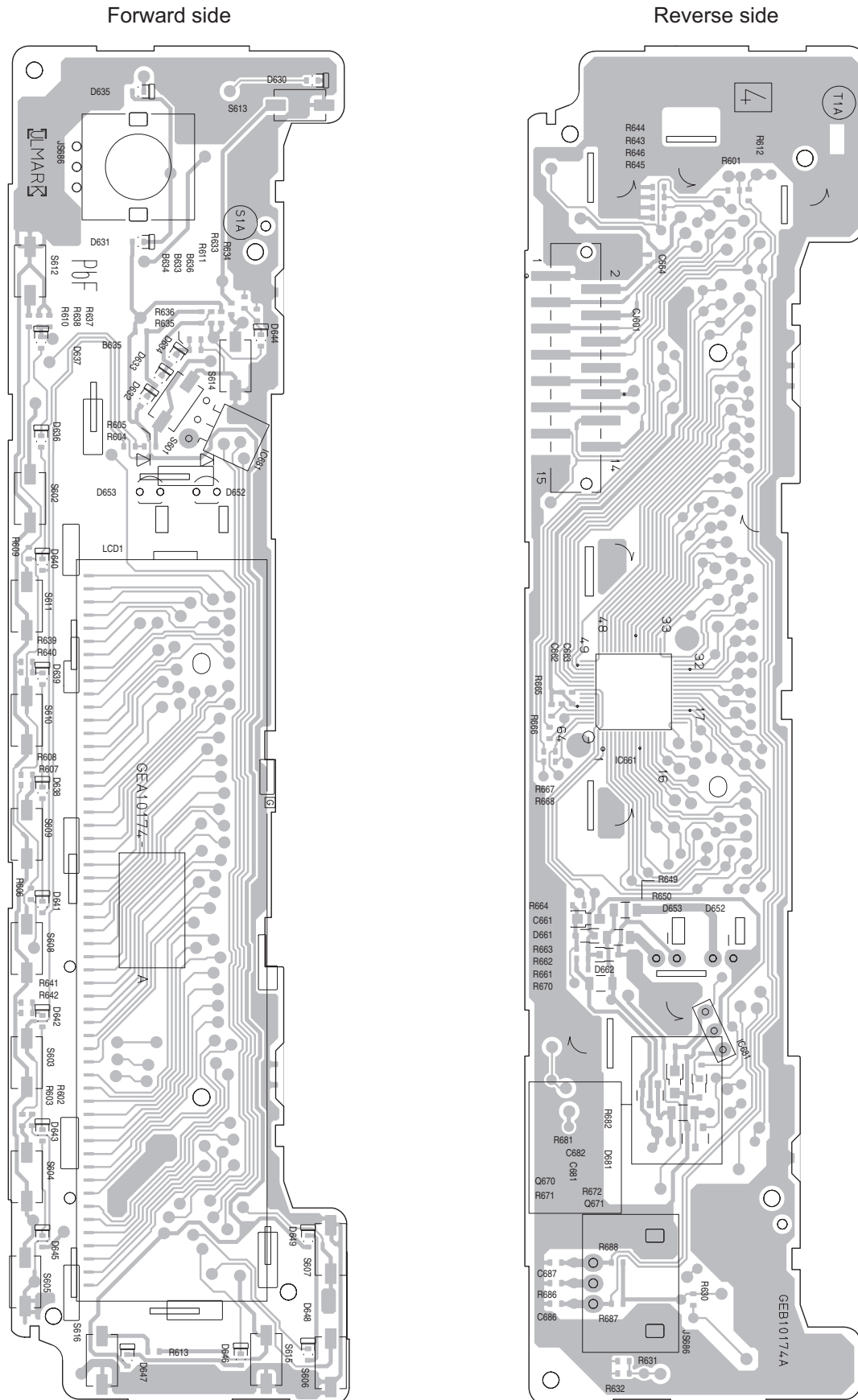






## Switch board

Lead free solder used in the board (material : Sn-Ag-Cu, melting point : 219 Centigrade)



< MEMO >

**JVC**

Victor Company of Japan, Limited

Mobile Entertainment Business Group Mobile Entertainment Category 10-1,1chome,Ohwatari-machi,Maebashi-city,371-8543,Japan

(No.MA236SCH)



Printed in Japan  
VPT